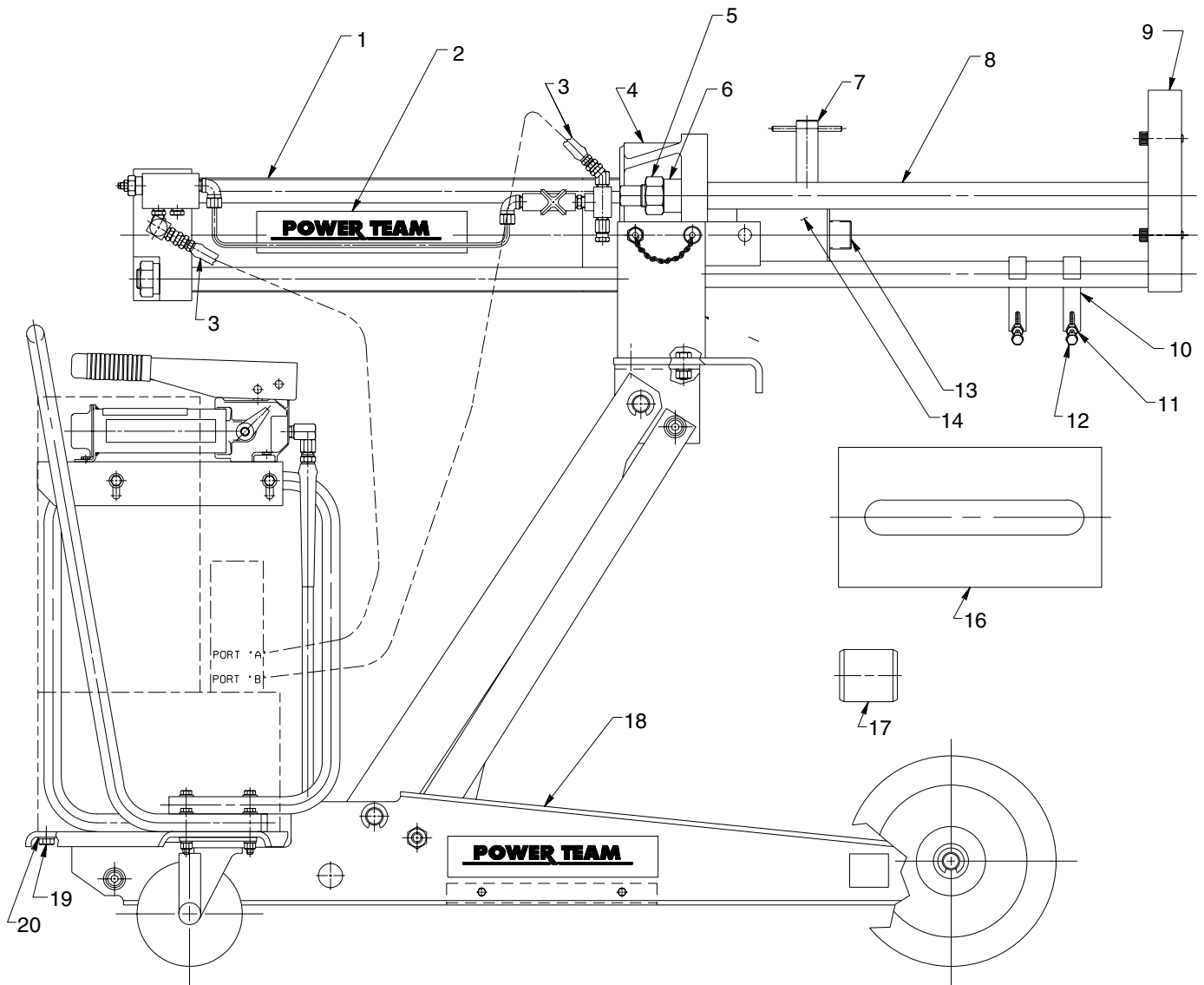


**MODEL C
UNIVERSAL RAILROAD AXLE BEARING PULLER**

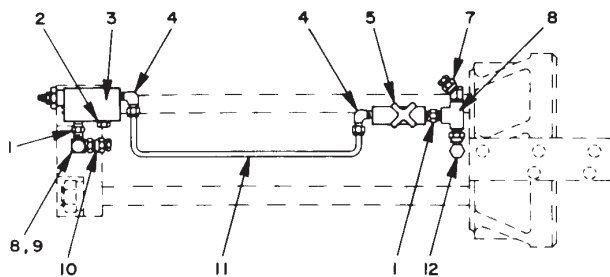


Item No.	Part No.	No. Req'd	Description
*1	50061	1	Cylinder Assembly (100 Ton, Double-acting - See sheet 2 of 3)
2	309221	2	Trade Name Decal
3	36891	2	Hose Assembly
*4	40116	1	Cylinder Mounting Plate
5	10224	4	Hex Nut (1-1/4-12 UNF; Torque to 200 ft. lbs.)
6	24767	4	Spacer
7	20001	1	Coupling Pin
8	30405	4	Leg and Collar (Torque to 200 ft. lbs.)
9	30523	1	Pulling Shoe with Screws
10	420372WH2	2	Installing Tube Cradle
11	10204	4	Hex Nut (3/8-16 UNC)
12	21498	4	Special Hex Hd. Cap Screw
13	30414	1	Guide Tube Coupler
14	30413	1	Adapter
16	30416	1	Installing Tube
17	21260	1	Adapter Forcing Plug
18	64334	1	Portable Cart Assembly (See Form No. 101318)
19	10076	4	Hex Hd. Cap Screw (1/2-20 UNF x 7/8 Lg.)
20	10249	4	Lockwasher (For 1/2 bolt)

PARTS INCLUDED BUT NOT SHOWN

60719	1	Electric Hydraulic Pump (For PR2100J; See Form Nos. 100384 & 102371)
60719-50-220	1	Electric Hydraulic Pump (For PR2100J-50-220; See Form Nos. 100384 & 102371)
60685	1	Electric Hydraulic Pump (For PR3100J; See Form Nos. 100353 & 102337)
60685-50-380	1	Electric Hydraulic Pump (For PR3100J-50-380; See Form Nos. 100353 & 102337)

OIL LINE HOOKUP



Item No.	Part No.	No. Req'd	Description
*1	10673	2	Hex Nipple (3/8 NPTF)
*2	14690	1	Pipe Plug
*3	9623	1	Pressure Regulator Assembly (Set at 6,000 PSI - See Form No. 100412)
*4	10666	2	90° Elbow
*5	11060	1	Shut-off Valve
*7	10648	1	Adapter Union (45° Elbow)
*8	10623	2	Service Tee
*9	10474	1	90° Elbow
*10	10469	1	Adapter Union (Straight)
*11	80590	1.67 ft.	Oil Line
*12	10470	1	Adapter Union (90° Elbow)

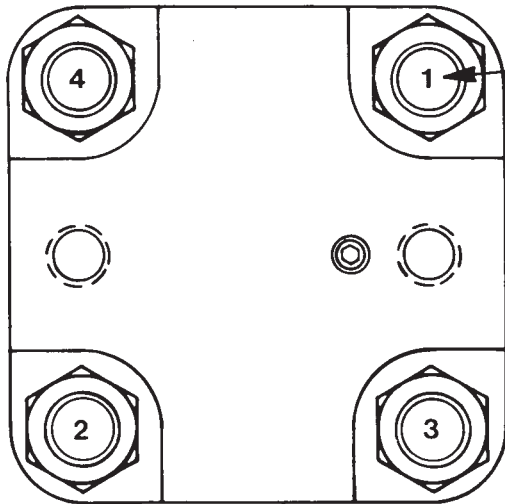
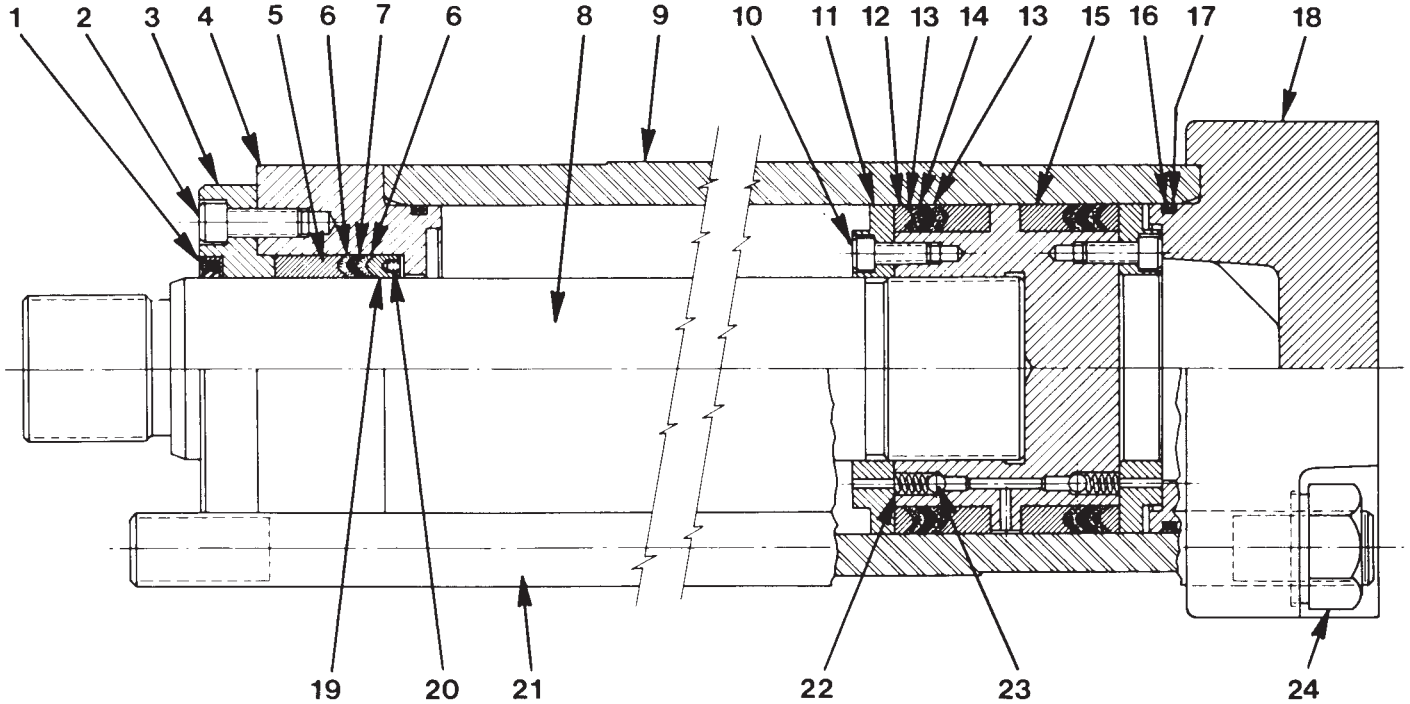
Note: #51151 cylinder assembly includes all parts on this page that are marked with an asterisk (*).

Note: Shaded areas reflect last revision(s) made to this form.

DOUBLE-ACTING CYLINDER ASSEMBLY

Max. Capacity: 103.15 Tons at 10,000 PSI (Push)

67.8 Tons at 10,000 PSI (Pull)



TORQUE IN 190 FT.—LBS.
INCREMENTS TO 950 FT.—LBS.
IN SEQUENCE SHOWN.

Parts List, Form No. 101314, Back sheet 2 of 3

Item No.	Part No.	No. Req'd	Description
1	*10907	1	Wiper Ring
2	10885	6	Soc. Hd. Cap Screw (3/8-16 x 1-1/4 Lg.)
3	30621	1	Packing Support Plate
4	40168	1	Cylinder End Cap
5	21408	1	Female Adapter
6	*10338	2	V-packing
7	*10523	1	V-packing
8	30679	1	Piston Rod & Head Assembly
9	30622-15-1/2	1	Cylinder
10	10506	12	Soc. Hd. Cap Screw (5/16-18 x 7/8 Lg.)
11	21407	2	Packing Support Plate
12	*10888	2	Male Adapter
13	*10339	4	V-packing
14	*12596	2	V-packing
15	21410	2	Female Adapter
16	*10886	2	O-ring (5-1/8 X 4-7/8 X 1/8, -249)
17	*19174	2	Teflon Backup Washer (-249)
18	50055	1	Cylinder Base Cap
19	21406	1	Male Adapter
20	10359	6	Compression Spring (15/64 O.D. X 11/32 Lg.)
21	21497	4	Tie Rod
22	11024	2	Compression Spring (1/4 O.D. X 5/8 Lg.)
23	10375	2	Steel Ball (1/4 Dia.)
24	21411	4	Special Tie Rod Nut

PART INCLUDED BUT NOT SHOWN

37782	1	Warning Decal
-------	---	---------------

Part numbers marked with an asterisk (*) are contained in Repair Kit No. 300206.

Refer to any operating instructions included with this product for detailed information about operation, testing, disassembly, reassembly, and preventive maintenance.



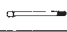

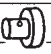

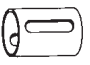
Items found in this parts list have been carefully tested and selected. **Therefore: Use only genuine Power Team replacement parts!**

Additional questions can be directed to our Technical Services Department.

TOOLING ORDER INFORMATION

IMPORTANT: This tooling chart applies only to standard AAR configurations for freight car applications. In order to provide adapters needed to service housing-type locomotive and passenger car bearings, Power Team must be provided with the following information: bearing manufacturer's name and general arrangement drawing number; size of bearing to be serviced; railroad name and location; part numbers of adapters which are already in your possession if you presently own a Puller-Installer.

CLASS AND SIZE OF BEARING ASSEMBLY TO BE SERVICED

TOOL DESCRIPTION*	Class B 4¼" x 8"	Class C 5" x 9"	Class D 5½" x 10"	Class E 6" x 11"	Class EE 5½" Axle	Class EE 6" Axle	Class F 6½" x 12"	Class G 7" x 12"	Class G 6½" Axle	Class GG 6½" Axle
 Pulling Shoe Insert Adapter	No. 30522	No. 30512	No. 30521	No. 30520		No. 30519		Use Pulling Shoe No. 30509		
 Guide Tube & Cap Screw Assembly	No. 21314	No. 30517	No. 30516	No. 30515	No. 38271	No. 38272	No. 30514	No. 30511	No. 30513	No. 31188
 Cap Screw**	No. 21249	No. 21251		No. 21250	No. 203967	No. 21251	No. 21252	No. 21239	No. 21253	
 Installing Tube Adapter Ring	No. 21242	No. 21258	No. 21256-1	No. 21255-1		No. 21257-1		No. 30586	No. 30585	
 Guide Tube Adapter	No. 23934	No. 21248		No. 21247						
 Pulling Shoe	No. 30523 Included as Part of Basic Machine Do Not Order							No. 30509		
 Installing Tube	No. 30416 Included as Part of Basic Machine Do Not Order							No. 30417		

*NOTE: Adapters listed above are for servicing the following roller bearing assemblies: Brenco "Crown-Taper", New Departure-Hyatt "Hy-Roll Taper", SKF "Expediter" and Timken "AP."

**Screws are supplied with the guide tube and should be ordered as replacements only!