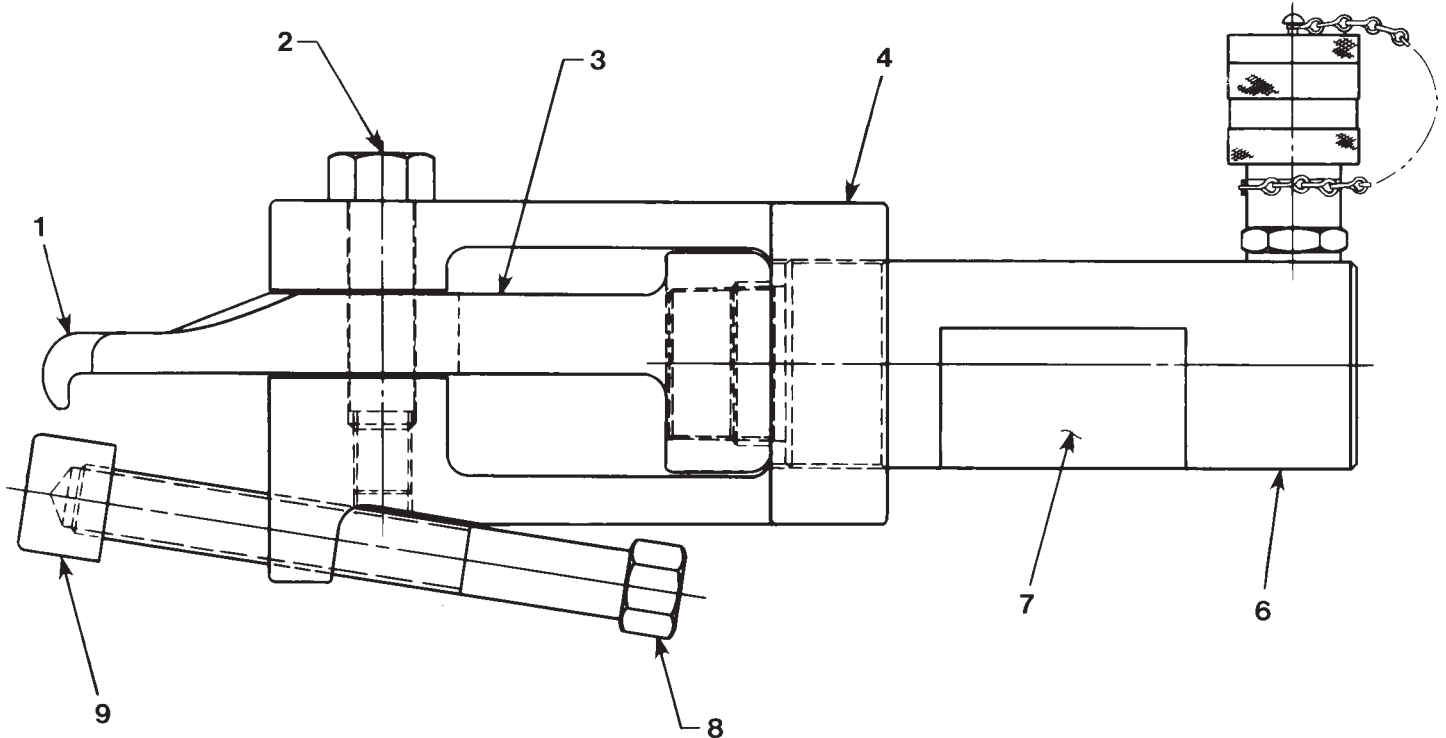


BEAD BREAKER

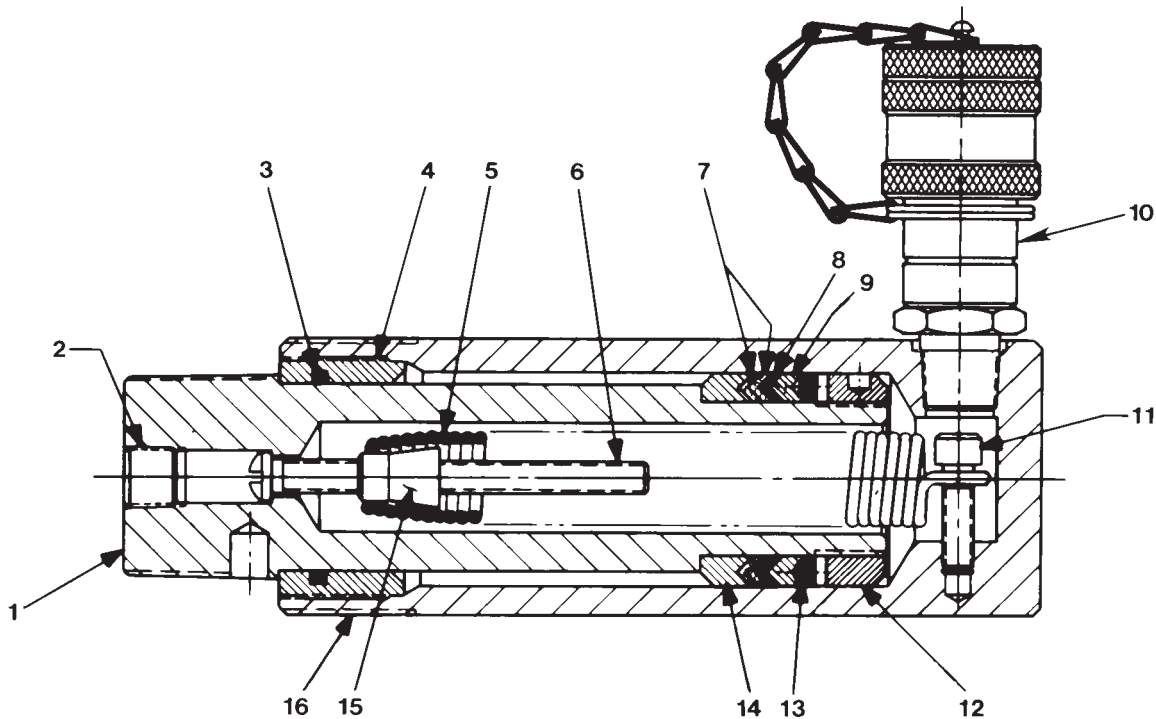
Max. Capacity: 12 Ton At 10,000 PSI



Item No.	Part No.	No. Req'd	Description
1	36958	1	Hook
2	22469	1	Shoulder Screw (5/8-11)
3	41086	1	Clevis
4	41084	1	Frame
6	36959	1	12 Ton Cylinder (See reverse side)
7	206869	1	Trade Name Decal
8	38809	1	Set Screw
9	202821	1	Pressure Nut

36959 HYDRAULIC CYLINDER

Max. Capacity: 12 Ton At 10,000 PSI



Item No.	Part No.	No. Req'd	Description
1	303281	1	Piston Tube
2	14972	1	Dryseal Plug
3	*17463	1	Felt Wiper
4	207780	1	Threaded Bushing
5	39625	1	Extension Spring
6	207776	1	Cap Screw (1/4-20 x 3" Lg.)
7	*10336	2	V-packing (Leather)
8	*10332	1	V-packing (Rubber)
9	207778	1	Packing Ring (Male)
10	25600	1	Ram Half Coupler
11	10012	1	Soc. Hd. Cap Screw (1/4-20 x 7/8 Lg.)
12	207779	1	Packing Nut
13	10358	1	Compression Spring (3/16 O.D. X 9/32 Lg.)
14	207777	1	Packing Ring (Female)
15	21668	1	Spring Nut
16	303280	1	Cylinder

Part numbers marked with an asterisk (*) are contained in Repair Kit No. 300300.

Refer to any operating instructions included with this product for detailed information about operation, testing, disassembly, reassembly, and preventive maintenance.

Items found in this parts list have been carefully tested and selected. **Therefore: Use genuine Power Team replacement parts!**

Additional questions can be directed to our Technical Services Department.