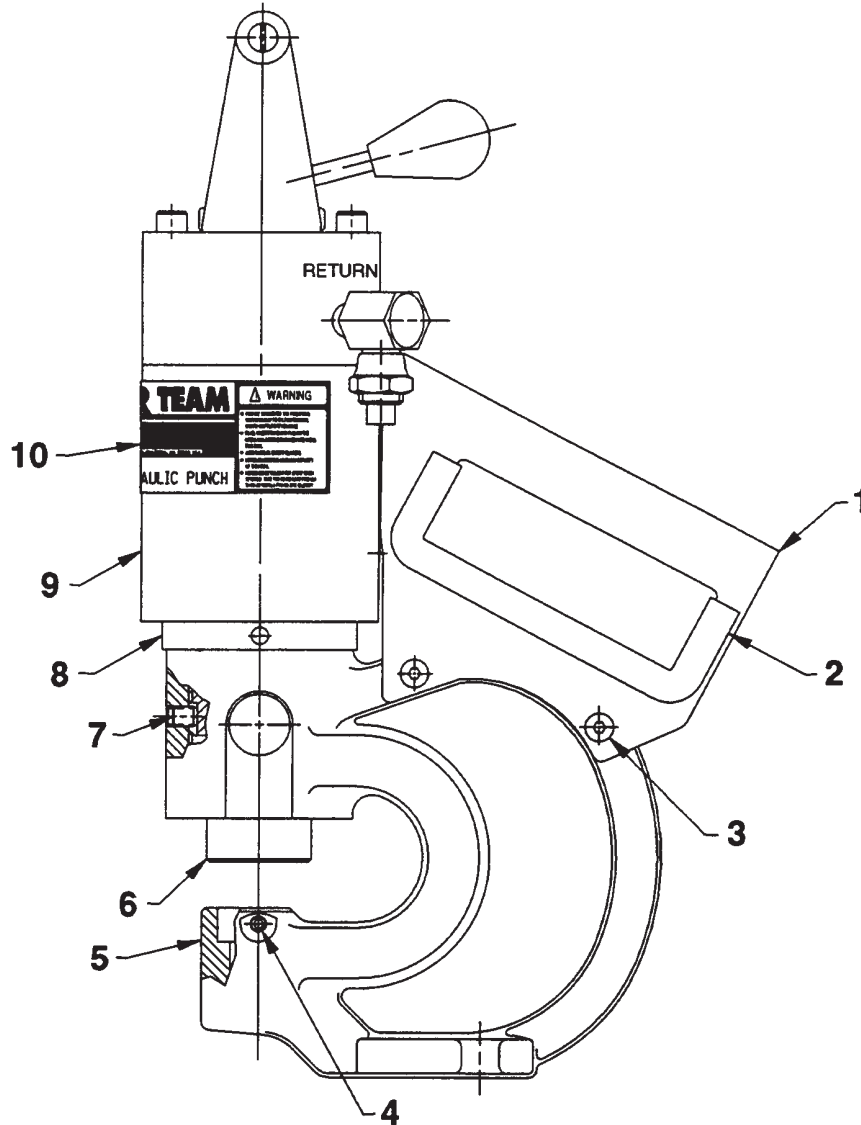


HYDRAULIC PUNCH ASSEMBLY

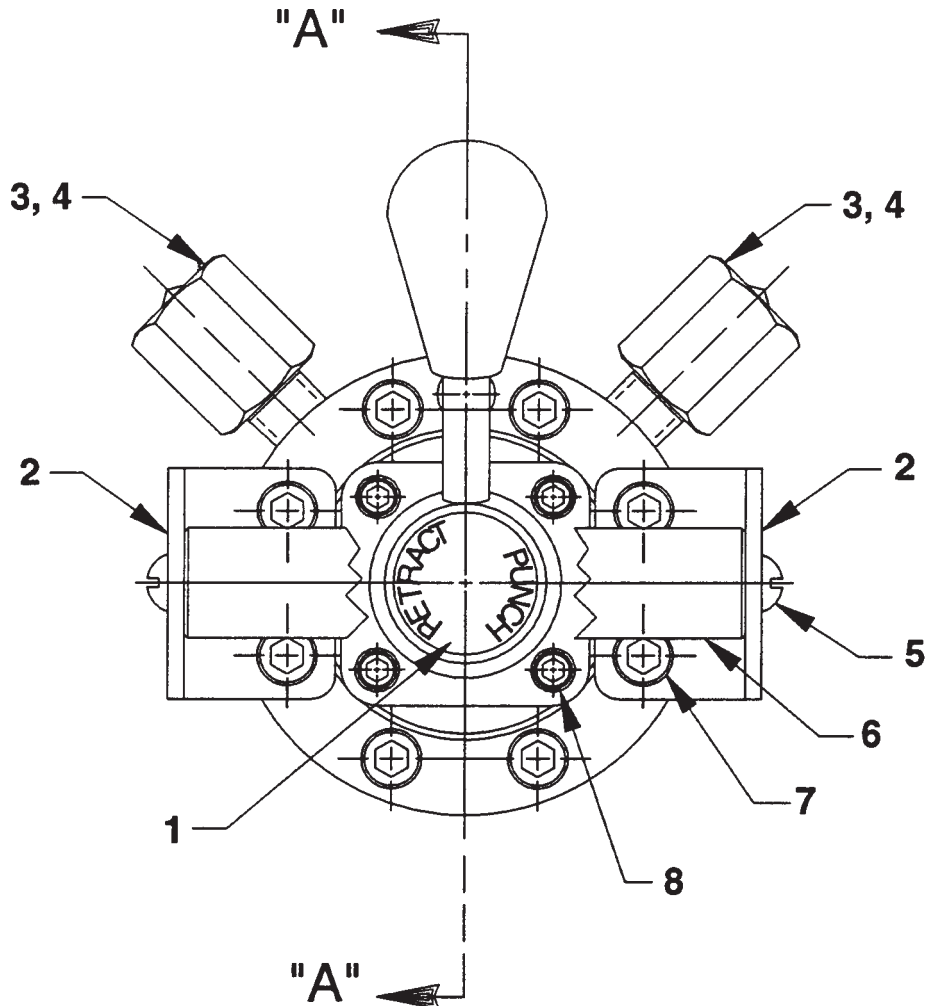
Max. Capacity: 22.1 Ton At 10,000 PSI



Item No.	Part No.	No. Req'd	Description
1	421226BK2	1	Handle Assembly
2	252166	1.22 ft.	Channel Guard
3	251910	2	Cap Screw (1/4-20 UNC x 3/8 Lg.)
4	15179	1	Hex Soc. Screw
5	252007	1	C-Frame

Item No.	Part No.	No. Req'd	Description
6	252146	1	Stripper
7	10861	1	Set Screw
8	252147	1	Locking Ring
9	58607	1	Cylinder Assembly (See back sheet 1 of 2 & sheet 2 of 2)
10	351212	1	Decal

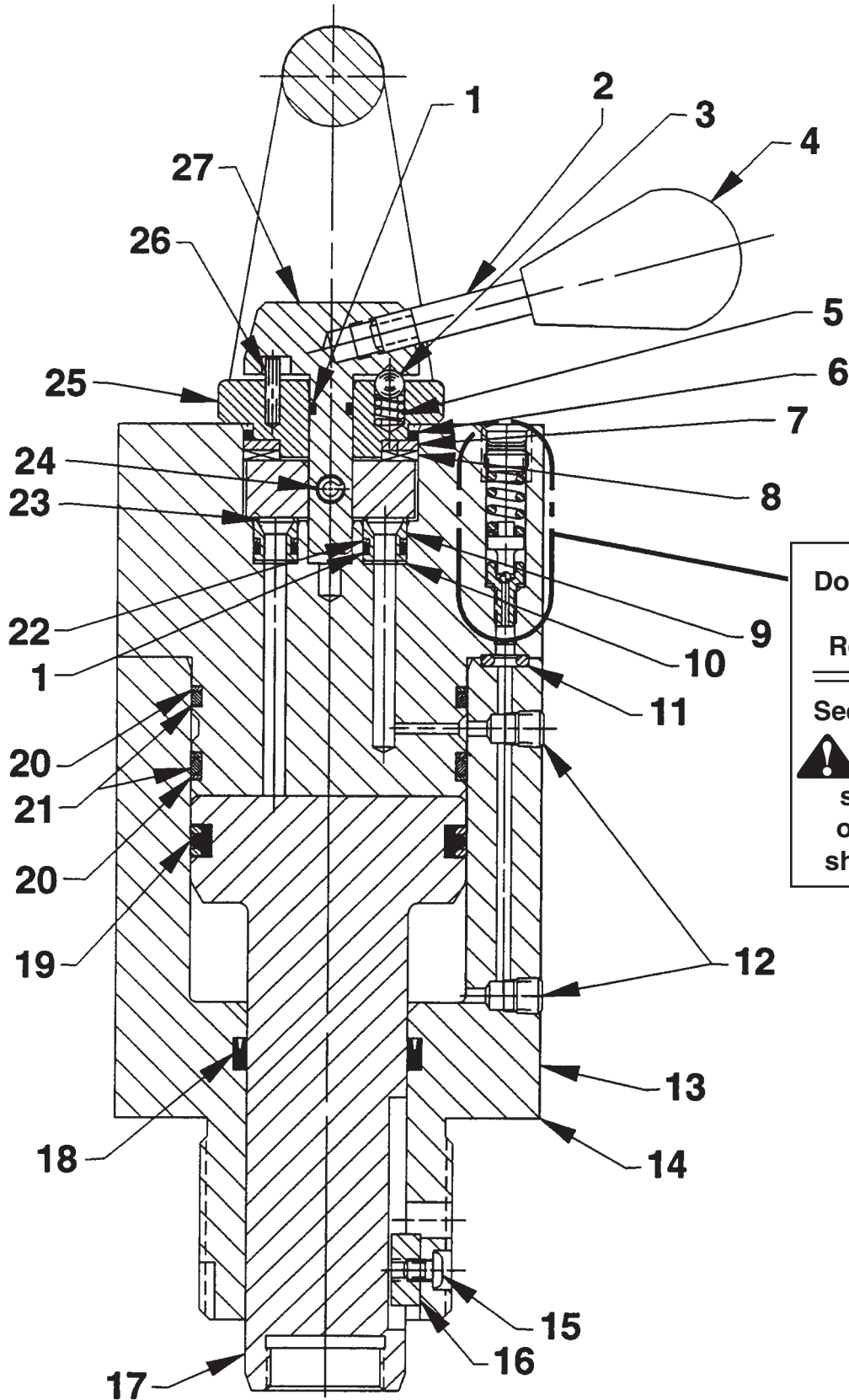
CYLINDER ASSEMBLY - TOP VIEW



Item No.	Part No.	No. Req'd	Description
1	251935	1	Valve Control Decal
2	351061	2	Bracket
3	11127	2	Pressure Plug (3/8 NPTF)
4	252143	2	90° Elbow Fitting (Rotate 5° toward valve handle)
5	10174	2	Machine Screw (1/4-20 UNC X 1/2 Lg.)
6	28158	1	Handle
7	251968	8	Cap Screw (5/16-24 UNF x 2-1/2 Lg.; Torque to 400 in. lbs.)
8	11434	4	Cap Screw (10-24 UNC X 1/2 Lg.; Torque to 60/80 in. lbs.)

CYLINDER ASSEMBLY - SIDE VIEW

To Parts List



Double-acting
Cylinder
Relief Valve

See important
! DANGER
statement
on back of
sheet 2 of 2

⚠ DANGER: To help avoid possible serious personal injury or death,

- In the event that the cylinder retract port is ever restricted or plugged, a double-acting cylinder relief valve will help prevent excessive pressure from building in the cylinder. **DO NOT** attempt to adjust or service this relief valve! If oil leakage is detected from this relief valve, discontinue use of the cylinder immediately and contact Power Team Technical Services. Only Power Team Authorized Hydraulic Service Centers should service this relief valve.

Item No.	Part No.	No. Req'd	Description
1	*10266	4	O-ring (3/8 X 1/4 X 1/16)
2	251932	1	Stud
3	10375	1	Steel Ball (1/4 Dia.)
4	12821	1	Plastic Oval Knob
5	12195	1	Compression Spring (1/4 O.D. X 1/2 Lg.)
6	*10930	1	O-ring (1-1/2 X 1-5/16 X 3/32)
7	12189	1	Thrust Washer
8	12188	1	Needle Bearing
9	24570	3	Shear Seal
10	*12187	3	Washer
11	*251767	1	O-ring (13/32 x 7/32 x 3/32)
12	251222	2	Plug (1/16 NPTF)
13	64818	1	Valve Body
14	58606	1	Cylinder Body
15	251770	1	Cap Screw (#8-32 UNF-2B x 1/4 Lg.)
16	251766	1	Key
17	421009	1	Piston Rod
18	*14482	1	V-cup
19	*251768	1	Piston T-seal w/ Backup Ring
20	*251769	3	Backup Washer (2-3/8 x 2-3/16 x .048)
21	*11229	2	O-ring (2-3/8 X 2-3/16 X 3/32)
22	*12184	3	Backup Washer (3/8 X 1/4 X .048)
23	32071	1	Rotor
24	10716	1	Roll Pin
25	25821	1	Cover
26	11587	1	Roll Pin
27	32070	1	Stem



Part numbers marked with an asterisk (*) are contained in Repair Kit No. 300879.

Refer to any operating instructions included with this product for detailed information about operation, testing, disassembly, reassembly, and preventive maintenance.

Items found in this parts list have been carefully tested and selected. **Therefore: Use only genuine Power Team replacement parts!**

Additional questions can be directed to our Technical Services Department.