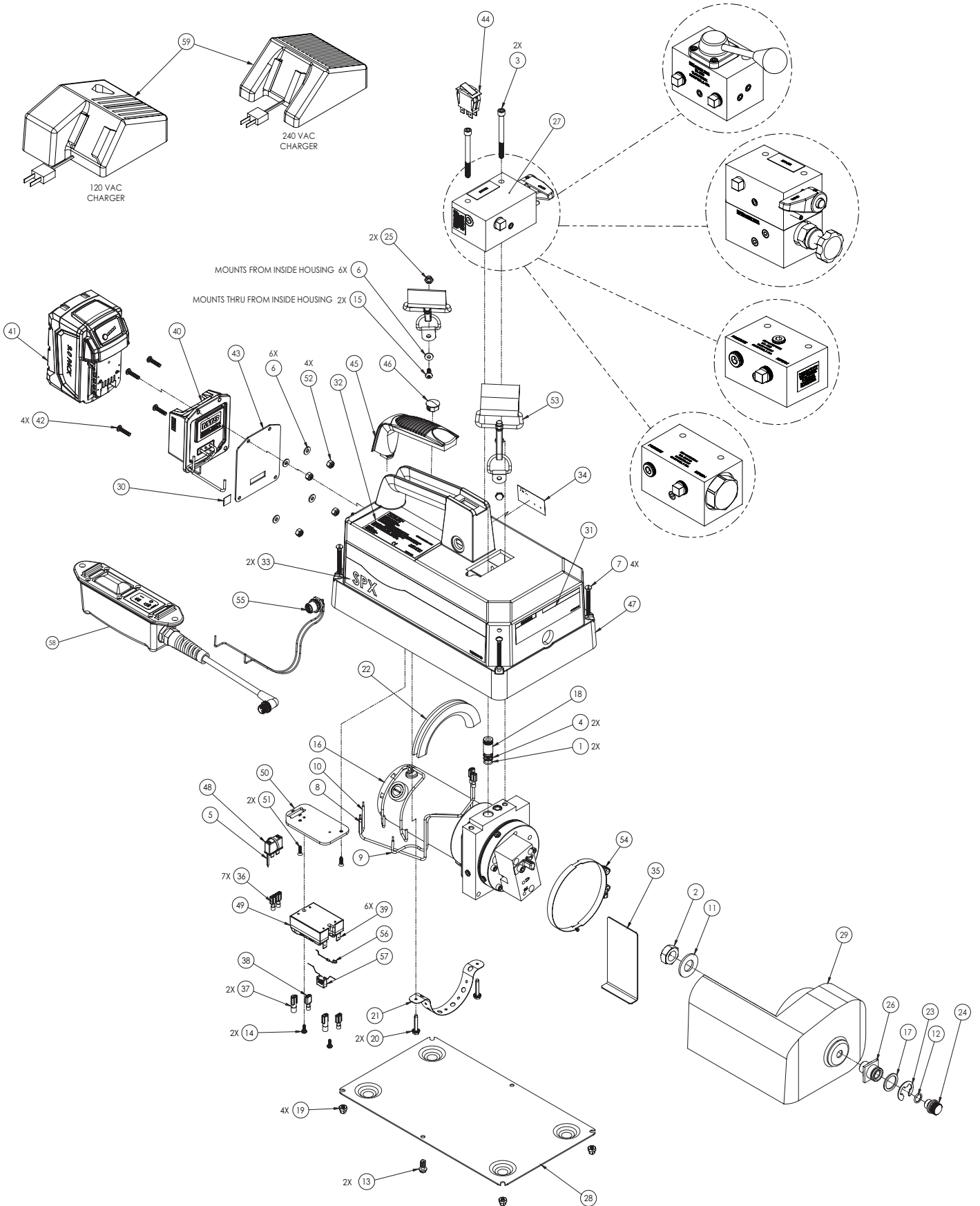


# PARTS LIST

## PB10 Series Hydraulic Pump



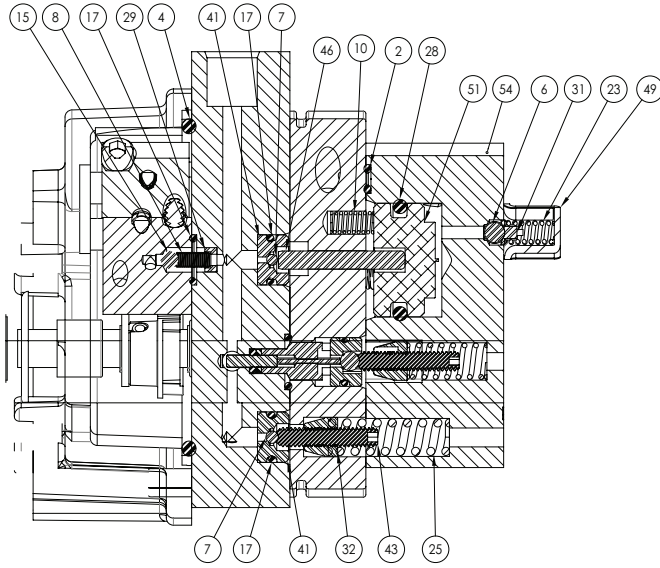
**Parts List continued**

ITEM	PART NO.	DESCRIPTION	QTY.
1	10268	O-RING (-012) 0.316 ID x 0.070 NITRILE 70 (INCLUDED WITH VALVE 420558 AND 350623)	2
2	10394	NUT, JAM, 5/8-18 UNF	1
3	10855	SCREW, SCKT HD CAP - 1/4-20 x 2.75	2
	251077	SCREW, SHC 1/4-20 X 4.75 (USED ON PB102R)	2
	251078	SCREW, SHC 1/4-20 X 3.25 (USED ON PB102-CP)	2
4	11863	WASHER, BACKUP 0.50 x 0.375 (INCLUDED WITH VALVE 420558 AND 350623)	2
5	12313	CABLE TIE, NON-RELEASABLE	1
6	12355	WASHER, PLAIN 0.44 X 0.19 X 0.05 STEEL	6
7	12515	SCREW, RND 10-24 X 1.75	4
8	12747	WIRE, 14GA XXIN RED	1
9	12747	WIRE, 14GA XXIN RED	1
10	12747	WIRE, 14GA XXIN RED	1
11	13324	WASHER, PLAIN 1.330 x0.660	1
12	13755	O-RING (-905) 0.414ID X 0.072 NITRILE 90	1
13	14456	SCREW, HEX WSH #10-24 X 0.50 TAPPING	2
14	15468	SCREW, #6-32UNC 0.375 IN PNH-ST ZN	2
15	16811	SCREW, #10-32 X 0.50 BHCS	2
16	65187-18	PUMP SUBASSY, ELECTRIC 18VDC	1
17	201373	WASHER, RETAINER 1.000 x0.750	1
18	202505	BUSHING (INCLUDED WITH VALVE 420558 AND 350623)	1
19	207405	LOCKNUT, HEX: #10-24 FLEXIBLE LOCKING	4
20	211060	SCREW, HEX. WASHER HD.TAPPING - #9-15 x 1 PLASTITE	2
21	251039	STRAP, MOTOR MOUNTING	1
22	251041	CHANNEL, RUBBER	1
23	251043	RING, RETAIN EXT 0.62 X .050	1
24	251280	PLUG, O RING BOSS: 1/2-20 UNF	1
25	252871	NUT, HEX ACORN CAP #10-32	2
26	350583	ADAPTER, FILLER	1
27	350622	VALVE, MANUAL, 2 POSITION, 2 -WAY (USED ON PB102, PB102P, PB102R)	1
	420558	VALVE, MANUAL (3-POSITION, 4-WAY) (USED ON PB104)	1
	350623	BODY, VALVE (PRESSURE REGULATOR) (USED ON PB102R)	1
	350720	MANIFOLD ASSEMBLY (USED ON PB102A)	1
	3001123	MANIFOLD ASSEMBLY (USED ON PB102-CP)	1
28	420607	PLATE, BASE	1
29	420643	BLADDER	1
30	1000413	LABEL, WEEE (WHEELIE BIN)	1
31	1001026	DECAL, PLAS SAFE INST US RECT 4.90IN	1

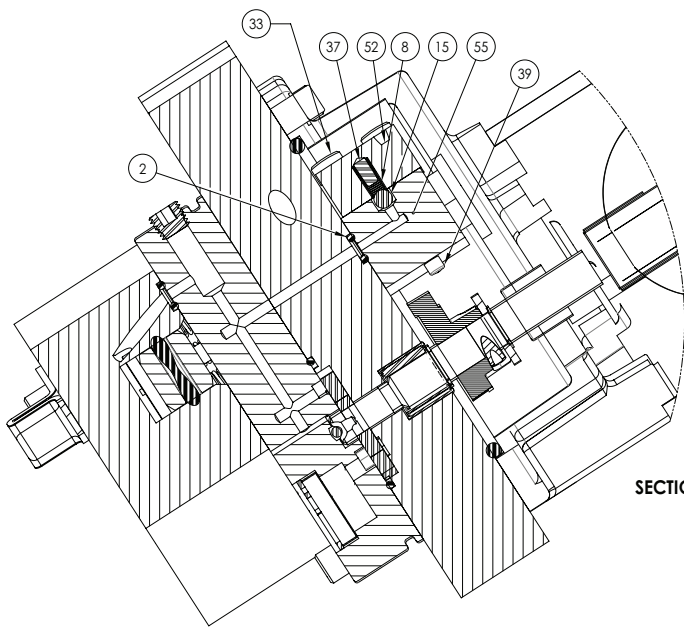
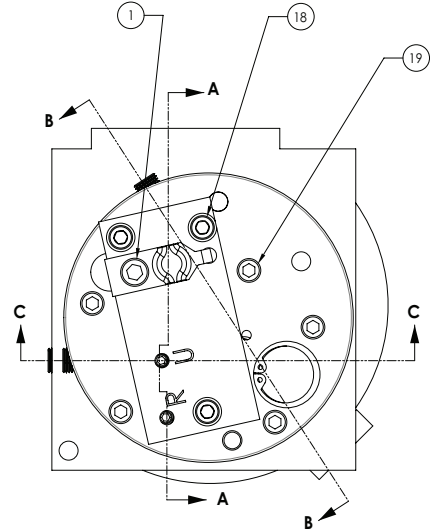
Parts List continued

ITEM	PART NO.	DESCRIPTION	QTY.
32	1001029	DECAL, PLAS CERT CE US RECT 4.25IN (USED ON PB102P)	1
	1001030	DECAL, PLAS CERT CE US RECT 4.25IN (USED ON PB102R)	1
	1001031	DECAL, PLAS CERT CE US RECT 4.25IN (USED ON PB102A)	1
	1001054	DECAL, PLAS CERT CE US RECT 4.25IN (USED ON PB102)	1
	1001055	DECAL, PLAS CERT CE US RECT 4.25IN (USED ON PB104)	1
	1001143	DECAL, PLAS CERT CE US RECT 4.25IN (USED ON PB102-CP)	1
33	1001053	DECAL, PLAS LOGO PTEM US RECT 10.7IN	2
34	1001058	DECAL, PLAS CERT CE US RECT 1.73IN (USED ON PB102P)	1
	1001036	DECAL, PLAS CERT CE US RECT 1.73IN (USED ON PB102R)	1
	1001037	DECAL, PLAS CERT CE US RECT 1.73IN (USED ON PB102A)	1
	1001057	DECAL, PLAS CERT CE US RECT 1.73IN (USED ON PB102)	1
	1001038	DECAL, PLAS CERT CE US RECT 1.73IN (USED ON PB104)	1
	1001144	DECAL, PLAS CERT CE US RECT 1.73IN (USED ON PB102-CP)	1
35	2001397	SPACER, BLADDER	1
36	2001467	TERMINAL, QUICK DISCONNECT FEMALE	7
37	2001486	TERMINAL, QUICK DISCONNECT, FEMALE	2
38	2007914	TERMINAL, QUICK DISCONNECT - FEM 18-22AWG	1
39	2008866	TERMINAL, ADAPTOR, SLOT TO .25 SPADE	6
40	2009627	M18 ODM ADAPTOR - HD V1030	1
41	2009628	BATTERY, 9.0 AMP, LI-ION TYPE	1
42	2009629	SCREW, #8-32UNC 0.75 IN PNH 2 ST BOX	4
43	2009630	GASKET, 3.80INx2.60x0.06xPU 70	1
44	2009631	SWITCH, ROCKER OFF - (ON) MOMENTARY	1
45	2009632	HANDLE - RUBBER, RETAINER PLUG, THIN BODY	1
46	2009633	PLUG, CAP 0.625IN D-FLATS NYLON6-6	1
47	2009634	HOUSING, HYD. PUMP RND MTR, MACH	1
48	2009635	FUSE, AUTO RESET 30AMP DUAL 1/4" FASTON	1
49	2009636	RELAY, SSR OPR 1-60VDC, CTRL4-32VDC, 40A	1
50	2009637	PLATE, RECT ADPTx0.1INx2.0x3.5 AL	1
51	2009638	SCREW, #6-32UNC 0.5 IN CSK 4 ST ZN	2
52	2009640	NUT, 8-32UNFx0.75IN LCK ST ZN	4
53	2009649	ASSY, HARNESS, STRAP, CLIP, MOUNT	1
54	2009650	CLAMP, HOSE 3.70-4.13 SCREW DRIVE	1
55	2009652	CONNECTOR, 4 PIN 18GA FEM NIBR	1
56	2009656	DIODE, SUPPRESSION 600V, 1N4005	1
57	2010059	CAPACITOR, 0.068 MICRO FARAD CLASS X2	1
58	3000989	REMOTE PUMP HAND SWITCH ASSEMBLY (INCLUDED WITH PB102P)	1
59	2009646	CHARGER, LI-ION BATTERY 120VAC (USED WITH PB10XX-1 MODELS)	1
	2009647	CHARGER, LI-ION BATTERY 240VAC (USED WITH PB10XX-2 MODELS)	1

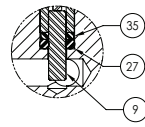
## 65187-18 (Pump Sub-assembly, electric 18VDC)



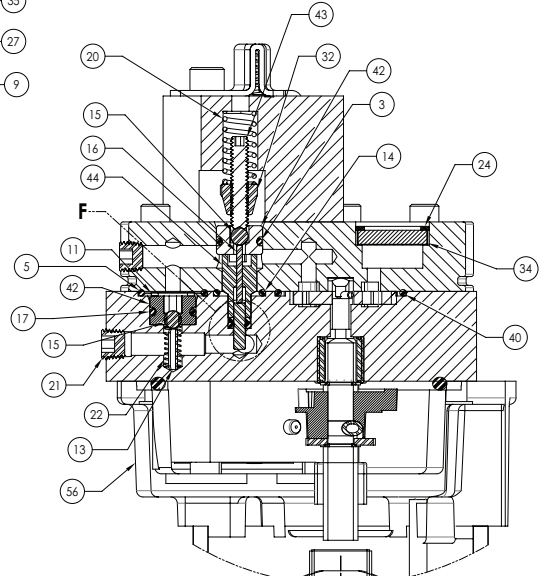
SECTION A-A



SECTION B-B

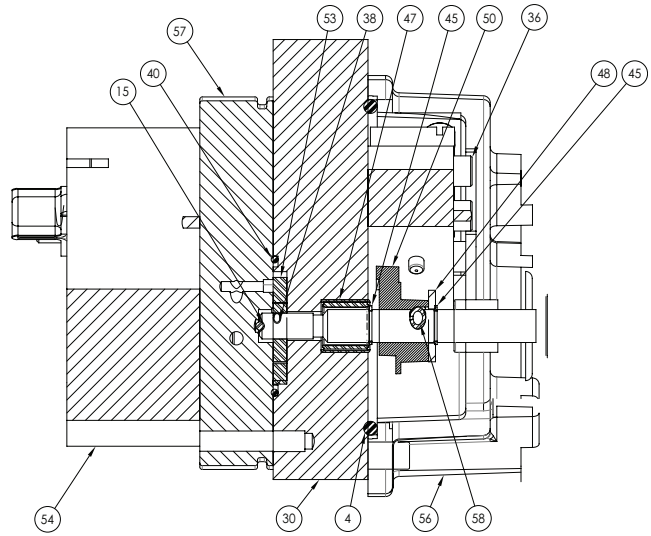
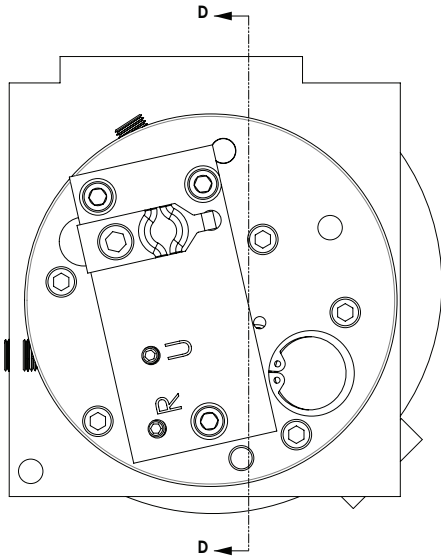


DETAIL F

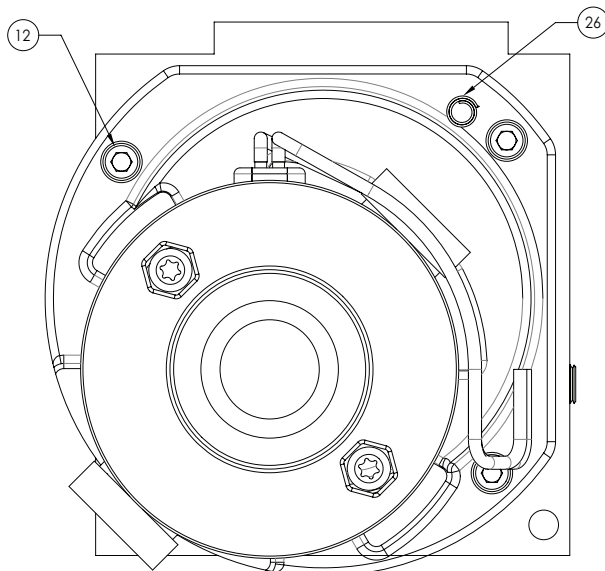


SECTION C-C

Parts List continued



SECTION D-D



MOTOR END VIEW

**Parts List continued**

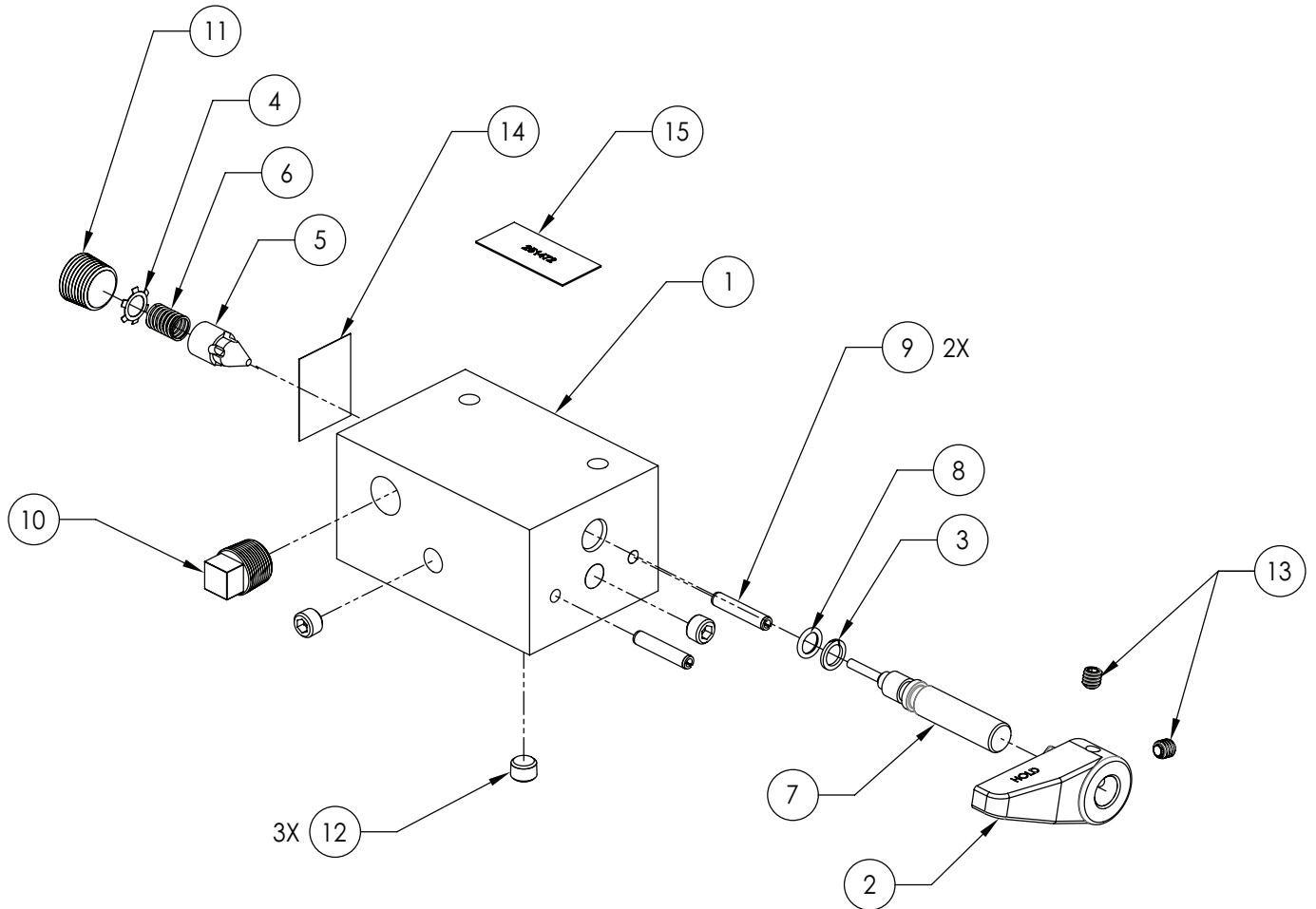
ITEM NO.	PART NO.	DESCRIPTION	QTY.
1	10002	SCREW, 1/4-20UNC X 0.375IN SHC G8 ST BOX	1
2	10265	ORING (-008) 0.176 x 0.07 x 0.316IN NBR70	2
3	10268	O-RING (-012) 0.316 ID x 0.070 NITRILE 70	1
4	10297	O-RING (-236) 3.234ID X 0.139 NITRILE 70	1
5	10302	O-RING (-016) 0.614ID X 0.070 NITRILE 70	1
6	10374	BALL, 7/32" DIA STEEL	1
7	10418	BALL, 1/8" DIA STEEL	2
8	10445	SPRING COM. OD .166I.D. XXXR .580 751MW	2
9	10796	PIN, DOWEL .13 X .50	1
10	11024	SPRING, COMPRESSION	3
11	11031	WASHER, PLAIN 0.31 x 0.47 x 0.03 COPR	1
12	11434	SCREW, SOCKET HD CAP - #10-24 X 0.50	3
13	11512	PIN, SPRING .094 X .437	1
14	12098	ORING, -113 0.549X0.103X0.755IN NBR70	1
15	12223	BALL, 3/16" DIA STEEL	5
16	13937	PIN, HARDENED GROUND MACHINE DOWEL - STANDARD SERIES	1
17	13943	O-RING (-012) 0.364ID X 0.070 URETHAN 92	4
18	14423	SCREW, SHC 10-24 X 2.00	3
19	14426	CAP SCREW	5
20	14484	SPRING,COMP.,.316x.047x1.00	1
21	15130	FITTING, PLUG 1/16 PTF FLUSH	3
22	15141	SPRING, COMPRESSION - 0.186 O.D. x 0.656 LG	1
23	15691	SPRING COM OD.246IDX.XXXR57L.645MW	1
24	16686	RING, RETAINING - INTERNAL	1
25	16724	COMPRESSION SPRING	1
26	17567	PIN, SPRING COILED .25 X .75	2
27	17797	O-RING	1
28	19029	O-RING (-213) 0.921ID X 0.139 VITON 75	1
29	24549	GUIDE, BALL	1
30	64346	BODY, PUMP	1
31	200796	ADAPTER, BALL & SPRING	1
32	207405	LOCKNUT, HEX: #10-24 FLEXIBLE LOCKING	2
33	211054	SCREW, SOCKET HD. CAP: SELF-LOCKING	3
34	214578	FILTER	1
35	214992	WASHER, BACKUP 0.240 x 0.130	1
36	250491	SCREW, SHC 10-24 X 1.250	4
37	251040	PIN, DOWEL .13 X .25	1
38	251061	PIN, DOWEL .06 X .38	1
39	251062	PISTON 5/32 DIA.	1
40	251063	O-RING (-027) 1.301ID X 0.070 NITRILE 70	1
41	251064	SEAT, REPLACEABLE	2

**Parts List continued**

ITEM NO.	PART NO.	DESCRIPTION	QTY.
42	251065	SEAT, REPLACEABLE	2
43	251067	SCREW, HEX SOCKET SET: PLAIN CUP PT #10-24 x 1	2
44	251068	GUIDE - UNLOADING PIN	1
45	251069	Retaining Ring	2
46	251083	PIN, HARDENED GROUND MACH DOWEL - 3/16 x 1-1/4	1
47	251129	BEARING, NEEDLE - .375 x .562 x .500	1
48	252169	WASHER, PLAIN, SPECIAL	1
49	350577	RETAINING, SPRING	1
50	350606	ECCENTRIC	1
51	350619	PISTON, AUTOMATIC VALVE	1
52	350620	BODY, HIGH PRESSURE CAP	1
53	420615	SET, GEROTOR	1
54	420616	BODY, AUTO. VALVE	1
55	420617	BODY, HIGH PRESSURE PISTON	1
56	421297-18-G	MOTOR, E 0.19HP 18V 2T 3.19 7000RPM	1
57	2009663	PLATE, PUMP END	1
58	2009972	PIN, ROLL 0.156x0.555IN ST BOX	1

Parts List continued

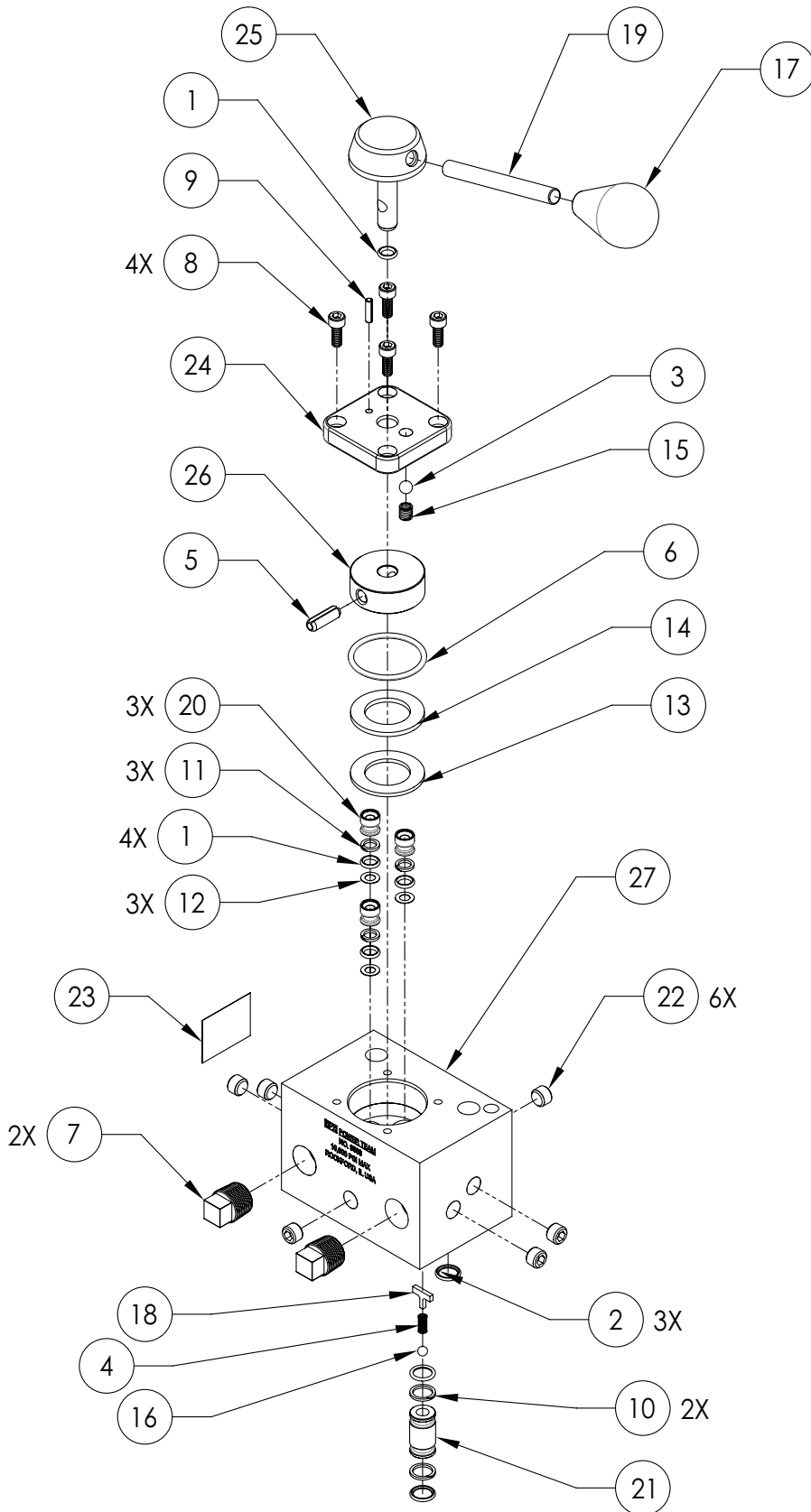
**350622**  
(Valve, Manual, 2-position, 2-Way)



ITEM NO.	PART NO.	DESCRIPTION	QTY.
1	58351	BODY, VALVE, 2 WAY	1
2	213109	HANDLE, RELEASE VALVE	1
3	15085	WASHER, BACK-UP: 0.438 x 0.312	1
4	11088	RING, RETAINING - INTERNAL	1
5	20771	POPPET	1
6	10425	SPRING, COMPRESSION	1
7	350626	SCREW, RELEASE VALVE	1
8	10267	ORING -011 0.301X0.07X0.441IN NBR 70	1
9	11418	PIN, SLOTTED SPRING STANDARD DUTY	2
10	11127	FITTING, PLUG 3/8 NPTF W/SEALANT	1
11	10909	FITTING, PLUG - 3/8 NPTF M FLUSH	1
12	251279	FITTING, PLUG 1/8 PTF	3
13	10556	SCREW, 1/4-20 SET LOCK	2
14	251512	DECAL, TELEPHONE INFORMATION	1
15	251472	DECAL, WARNING	1



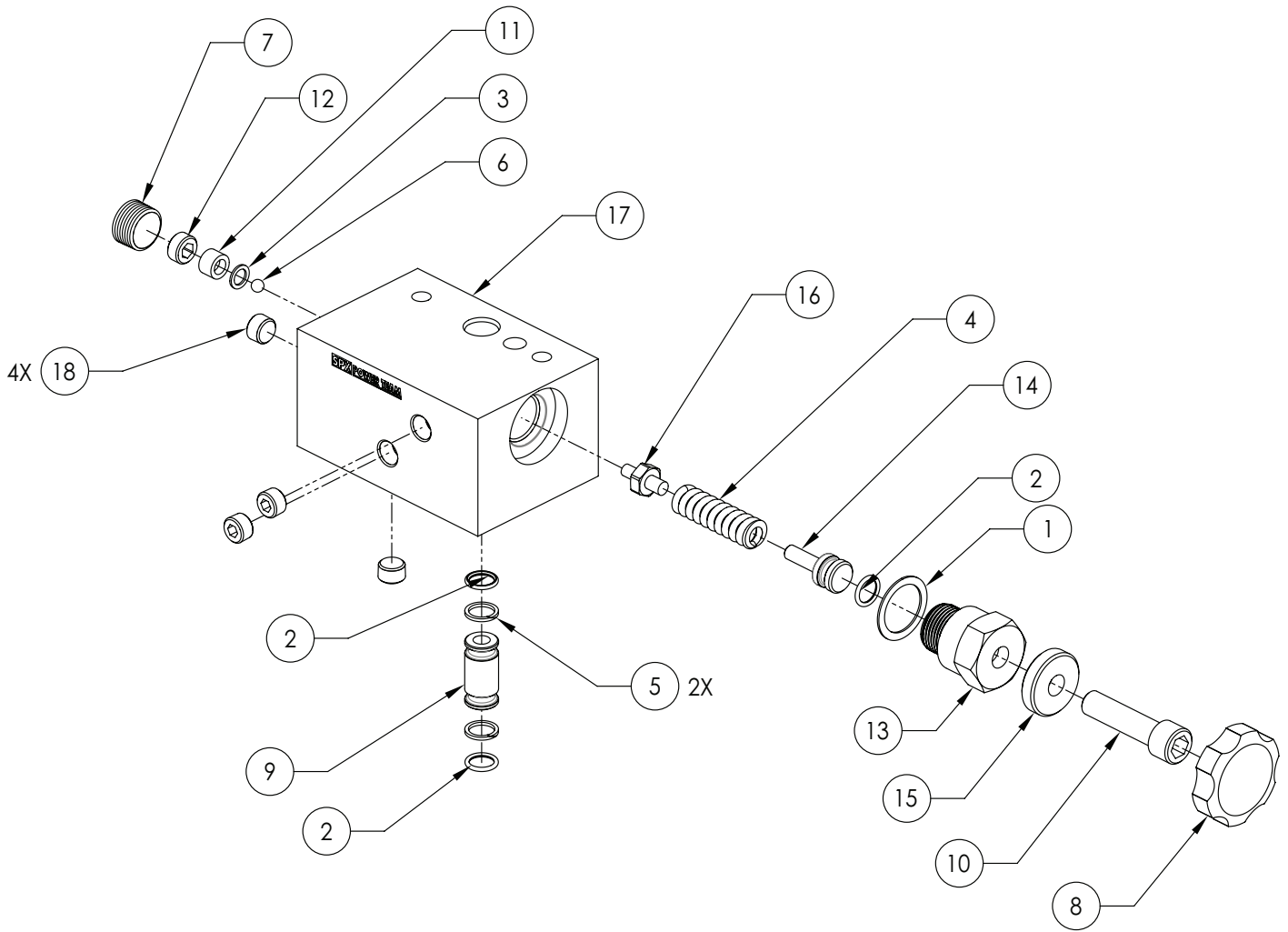
**420558**  
 (Valve, Manual 3-Position, 4-Way)



**Parts List continued**

ITEM NO.	PART NO.	DESCRIPTION	QTY.
1	10266	O-RING (-010) 0.239IDx0.070 NITRILE 70	4
2	10268	O-RING (-012) 0.316 ID x 0.070 NITRILE 70	3
3	10375	BALL, 1/4" DIA STEEL	1
4	10445	SPRING COM. OD .166I.D. XXXR .580 751MW	1
5	10716	PIN, SLOTTED SPRING STANDARD DUTY	1
6	10930	O-RING (-125) 1.299ID X 0.103 NITRILE 70	1
7	11127	FITTING, PLUG 3/8 NPTF W/SEALANT	2
8	11434	SCREW, SOCKET HD CAP - #10-24 X 0.50	4
9	11587	PIN, SLOTTED SPRING, STANDARD DUTY	1
10	11863	WASHER, BACKUP 0.50 x 0.375	2
11	12184	WASHER, BACKUP 0.375 x0.250	3
12	12187	WASHER, SPRING	3
13	12188	ROLLER THRUST BEARING	1
14	12189	WASHER, THRUST 1.420 x0.880	1
15	12195	COMPRESSION SPRING	1
16	12223	BALL, 3/16" DIA STEEL	1
17	12821	KNOB	1
18	209795	STOP, OUTLET BALL	1
19	24564	STUD	1
20	24570	SHEAR SEAL	3
21	251128	BUSHING, OUTLET CHECK	1
22	251279	FITTING, PLUG 1/8 PTF	6
23	251512	DECAL, TELEPHONE INFORMATION	1
24	25821	COVER, VALVE - MACHINED	1
25	32070	STEM	1
26	32071	ROTOR	1
27	64374	BODY, VALVE	1

**350623**  
(Body, Valve pressure Regulator)

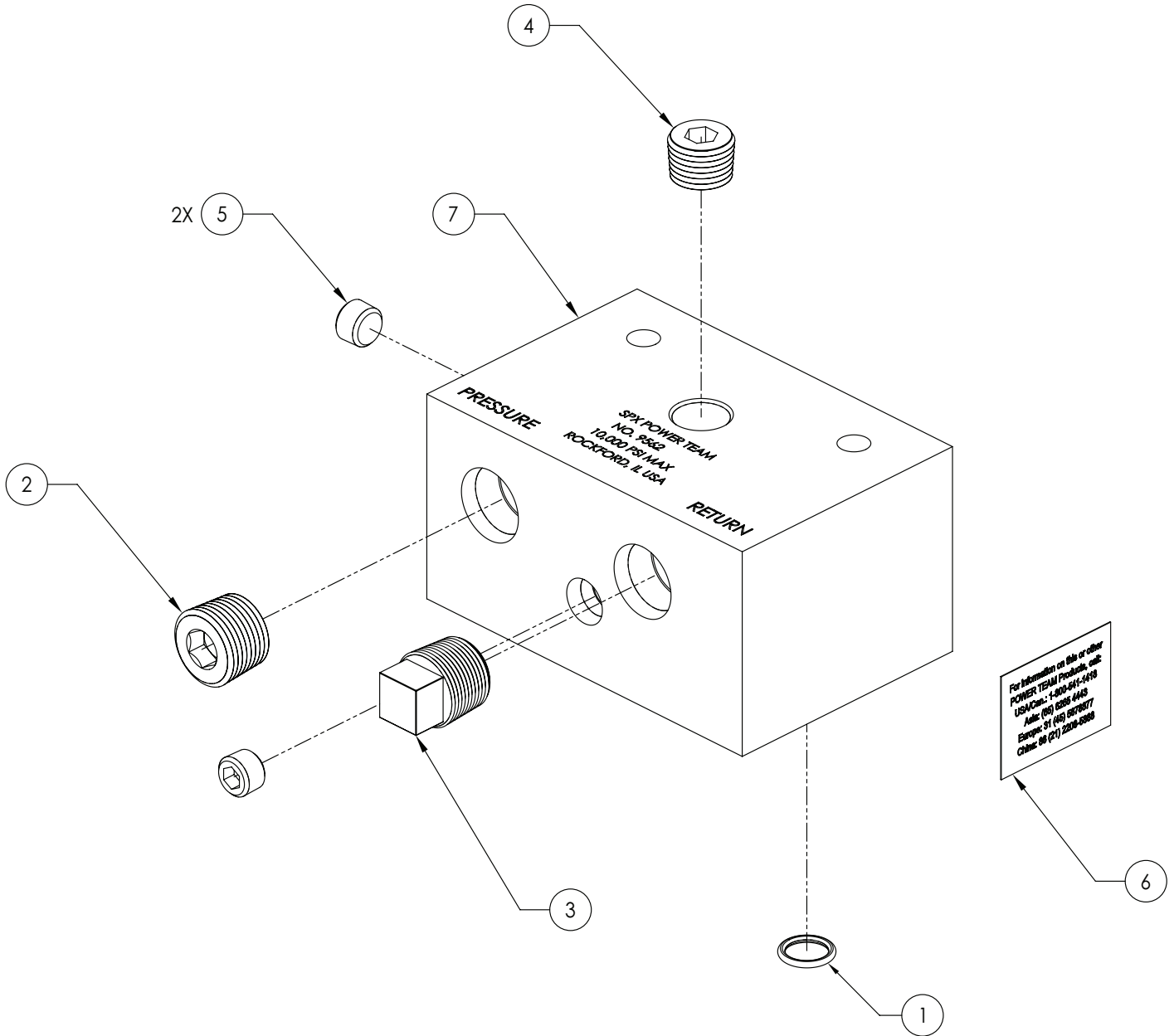


**Parts List continued**

ITEM NO.	PART NO.	DESCRIPTION	QTY.
1	10263	WASHER, PLAIN - SPECIAL	1
2	10268	O-RING (-012) 0.316 ID x 0.070 NITRILE 70	3
3	10442	WASHER, PLAIN 0.25X0.37X0.03 COPR	1
4	10495	SPRING, COMPRESSION	1
5	11863	WASHER, BACKUP 0.50 x 0.375	2
6	12223	BALL, 3/16" DIA STEEL	1
7	16232	PLUG, HEX FEMALE DRIVE - DRYSEAL	1
8	19564	KNOB, THUMB SCREW	1
9	202505	BUSHING	1
10	208148	SCREW, SHC - 3/8-24 x 1.5	1
11	209787	SEAT, REPLACEABLE	1
12	209797	SCREW, HOL LCK 7/16-20 X 0.25	1
13	21305	CAP, VALVE	1
14	21306	GUIDE, SPRING	1
15	215683	Regulator Locking Nut	1
16	350625	GUIDE, BALL	1
17	58350	BODY, VALVE PRESSURE REGULATOR	1
18	T1-1019-01	PLUG, 1/8-27 NPT FLUSH PLUMBING	4

Parts List continued

**350720**  
(Manifold Assembly)

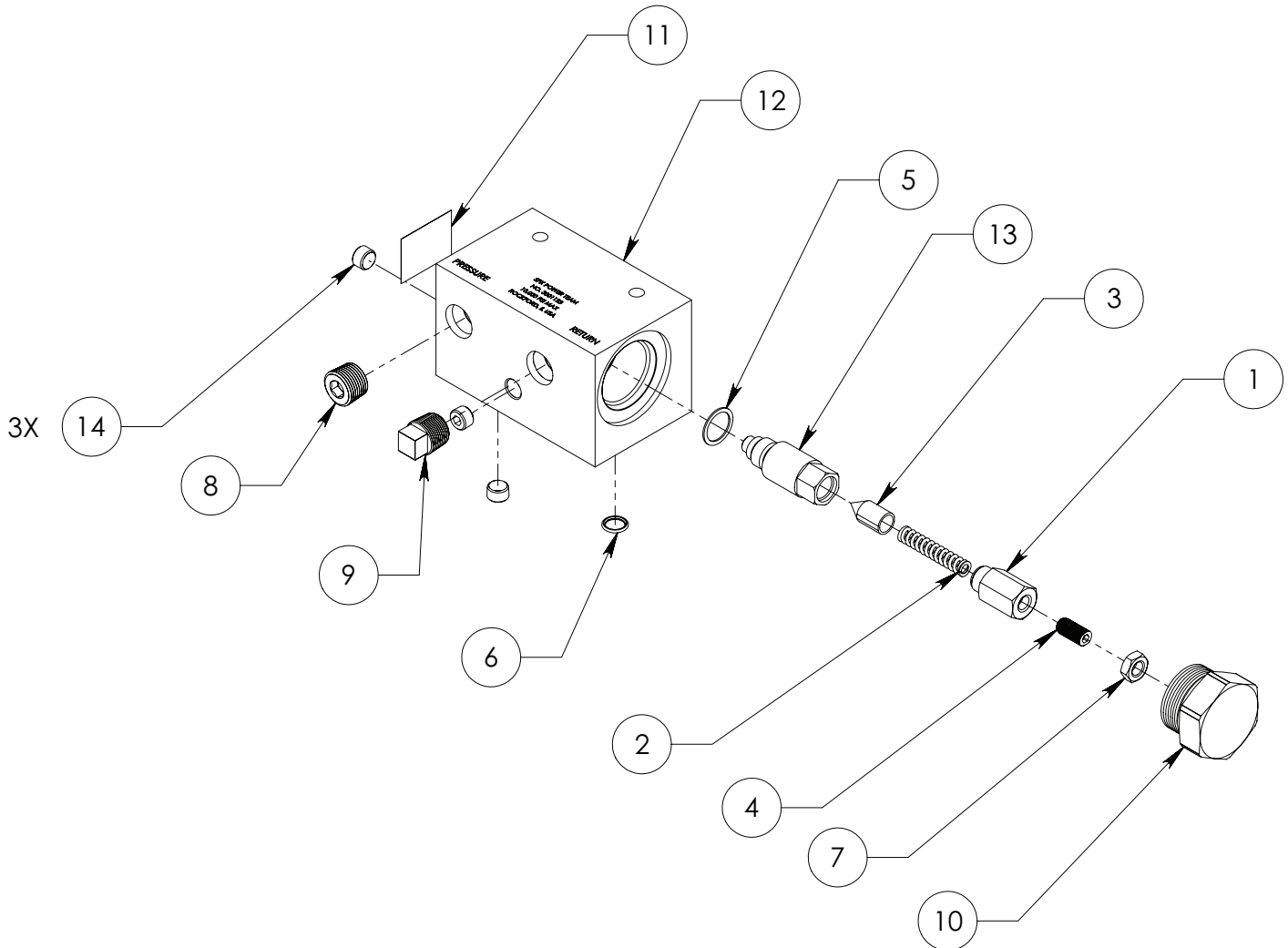


For information on this or other  
POWER TEAM Products, call:  
USA/Canada: 1-800-616-6418  
Asia: (61) 6286 4448  
Europe: 31 (61) 6286 4448  
China: 86 (21) 2238-2888

ITEM NO.	PART NO.	DESCRIPTION	QTY.
1	10268	O-RING (-012) 0.316 ID x 0.070 NITRILE 70	1
2	10909	FITTING, PLUG - 3/8 NPTF M FLUSH	1
3	11127	FITTING, PLUG 3/8 NPTF W/SEALANT	1
4	14972	FITTING, PLUG - 1/4 PTF FLUSH	1
5	251279	FITTING, PLUG 1/8 PTF	2
6	251512	DECAL, TELEPHONE INFORMATION	1
7	58349	BODY, MANIFOLD	1

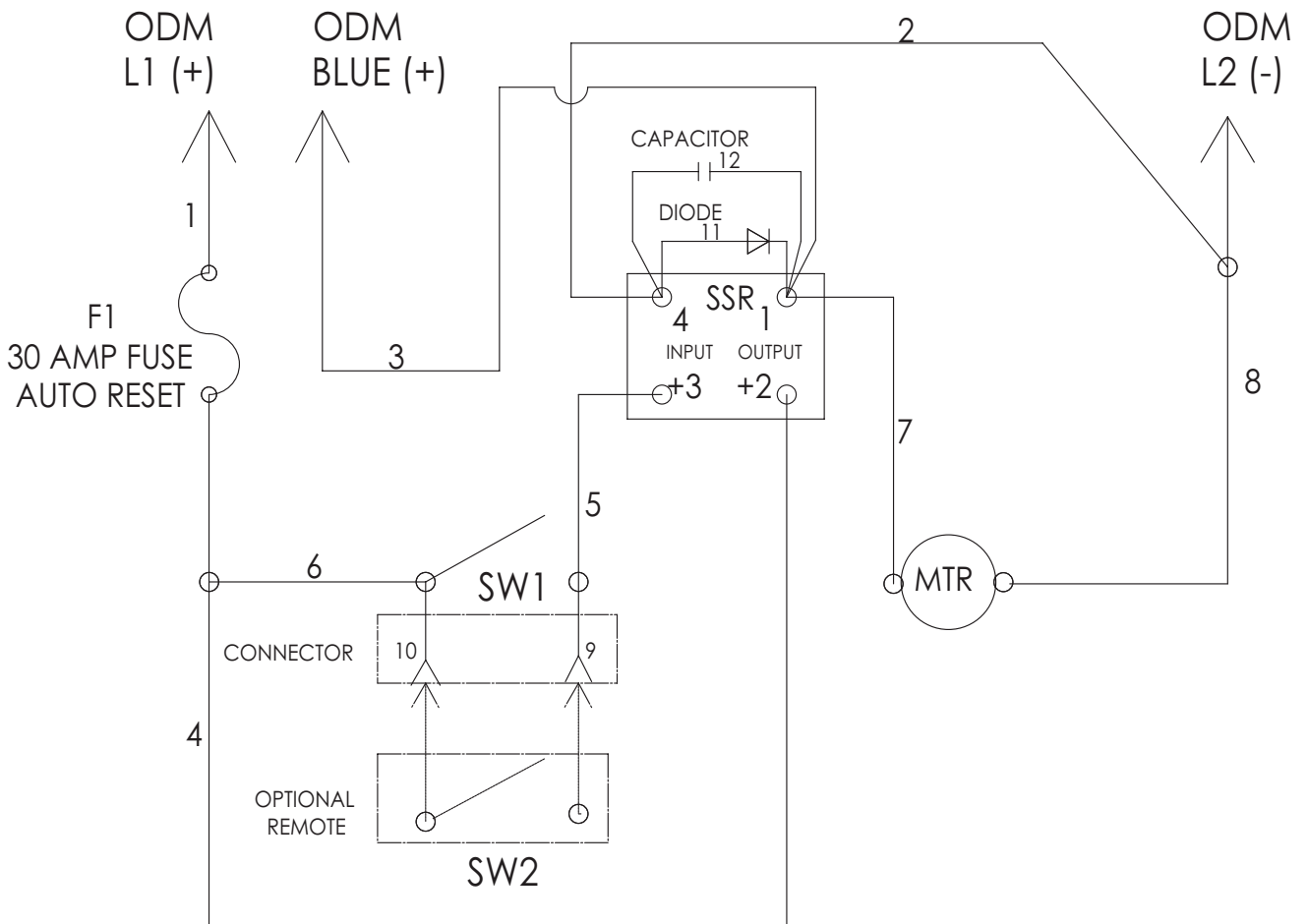
Parts List continued

**3001123**  
(Manifold Assembly)



ITEM NO.	PART NO.	DESCRIPTION	QTY.
1	3-0651	CAP, VALVE	1
2	3-0653	SPRING COM OD.335IDX.XXXR493.5L1.675MW	1
3	3-0654	PLUNGER, VALVE	1
4	5-2891	SCREW, 5/16-24 X 0.63 SET CUP	1
5	10261	WASHER, PLAIN 0.60 x 0.75 x 0.03 COPR	1
6	10268	O-RING (-012) 0.316 ID x 0.070 NITRILE 70	1
7	10384	NUT, HEX JAM 5/16-24	1
8	10909	FITTING, PLUG - 3/8 NPTF M FLUSH	1
9	11127	FITTING, PLUG 3/8 NPTF W/SEALANT	1
10	207908	FITTING, PLUG 1-5/16-12 ORB	1
11	251512	DECAL, TELEPHONE INFORMATION	1
12	2010235	BODY, MANIFOLD	1
13	2010291	BODY, VALVE	1
14	T1-1019-01	PLUG, 1/8-27 NPT FLUSH PLUMBING	3

# ELECTRICAL SCHEMATIC



# HYDRAULIC SCHEMATIC

