

## TILT SADDLE CAP ASSEMBLY FOR RSS 10, 20, 30, 50, AND 100 TON CYLINDERS

### #350320 for RSS101

Item No.	Part No.	No. Req'd	Description
1	250356	1	Hex. Soc. Flat Hd. Screw
2	350218	1	Swivel Cap
3	15139	2	Soc. Hd. Cap Screw (#6-32 UNC x 1/2 Lg.; Torque to 20/40 in. lbs.)
4	350317	1	Tilt Saddle Base

### #350321 for RSS202

Item No.	Part No.	No. Req'd	Description
1	215757	1	Hex. Soc. Flat Hd. Screw
2	350220	1	Swivel Cap
3	12102	2	Soc. Hd. Cap Screw (#10-24 UNC x 3/4 Lg.; Torque to 55/75 in. lbs.)
4	350318	1	Tilt Saddle Base

### #350322 for RSS302

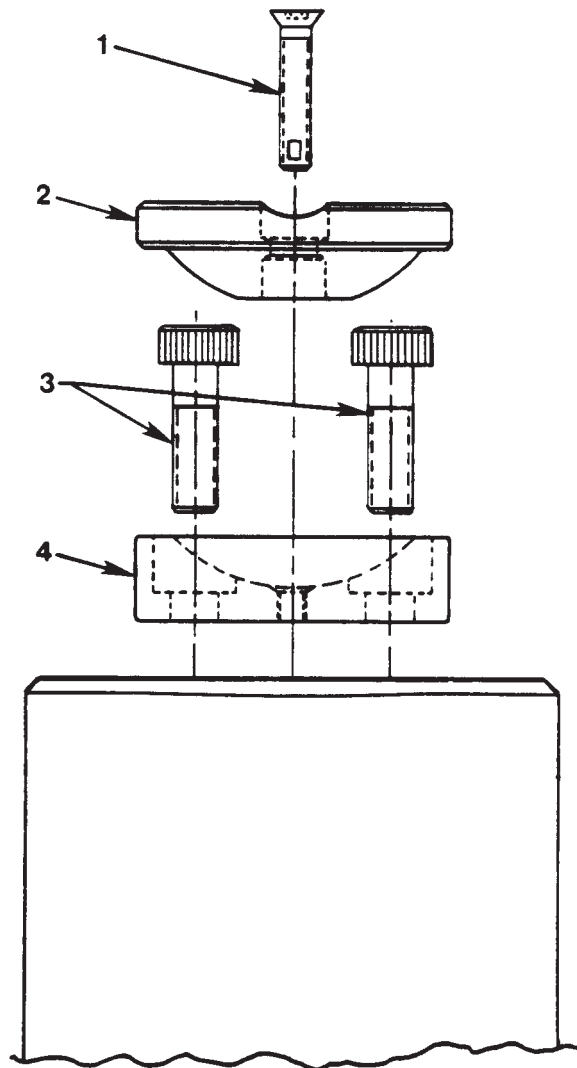
Item No.	Part No.	No. Req'd	Description
1	215757	1	Hex. Soc. Flat Hd. Screw
2	350220	1	Swivel Cap
3	10008	2	Soc. Hd. Cap Screw (1/4-20 UNC x 3/4 Lg.; Torque to 55/75 in. lbs.)
4	350319	1	Tilt Saddle Base

### #350331 for RSS502

Item No.	Part No.	No. Req'd	Description
1	215757	1	Hex. Soc. Flat Hd. Screw
2	350220	1	Swivel Cap
3	10016	4	Soc. Hd. Cap Screw (1/4-20 UNC x 1" Lg.; Torque to 140/160 in. lbs.)
4	420367	1	Tilt Saddle Base

### #350332 for RSS1002

Item No.	Part No.	No. Req'd	Description
1	250648	1	Hex. Soc. Flat Hd. Screw
2	420370	1	Swivel Cap
3	10809	4	Soc. Hd. Cap Screw (5/16-18 UNC x 1-1/4 Lg.; Torque to 270/290 in. lbs.)
4	420369	1	Tilt Saddle Base



## **ASSEMBLY INSTRUCTIONS**

1. Mount tilt saddle base to cylinder piston with appropriate socket head cap screws (Item 3). Torque as specified.
2. Position swivel cap on base and tilt until lip on swivel cap contacts the base.
3. Thread in self-locking flat head screw. DO NOT overtighten. Swivel cap should swivel freely, and lip on swivel cap should always contact the base at maximum tilt angle.