

No. 5 SPLINE DRIVE

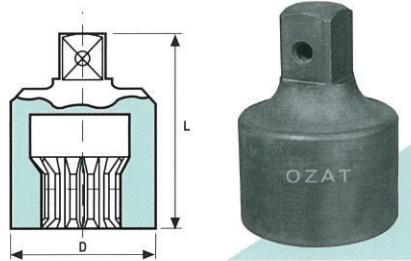
6 POINT IMPACT SOCKETS LONG

chart continued

NOMINAL OPENING			D1	D2	L	t min	Weight
mm	A/F Inch	CATALOG No.	mm	mm	mm	mm	gr
77		95M77L	109	86	162	44.0	7000
	3 1/16"	9549L	109	86	162	44.0	7000
	3 1/8"	9550L	109	86	162	44.0	7000
80		95M80L	115	86	162	44.0	7500

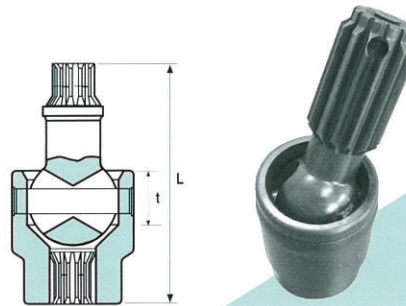
ADAPTERS

DRIVE SIZE		D	L	Weight	
FEMALE	MALE	CATALOG No.	mm	mm	gr
Spline No. 5	1"	A9516	60	90	940
Spline No. 5	1 1/2"	A9524	60	100	1250



UNIVERSAL JOINT

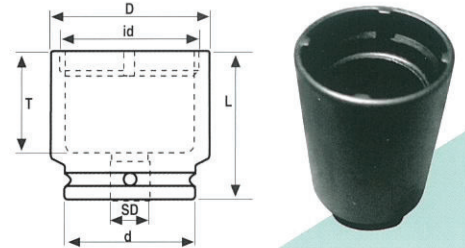
DRIVE SIZE	CATALOG No.	D	L	Weight
		mm	mm	gr
Spline No. 5	U9595	67	180	2300



BEARING NUT SOCKETS

SOCKETS FOR BALL BEARING NUTS 4 TEETH

CATALOG No.	SD	D	d	L	T	id	Weight
		mm	mm	mm	mm	mm	gr
KM 0	3/8"	22	19	57	44	18.1	90
KM 1	3/8"	30	19	57	44	22.2	110
KM 2	1/2"	32	30	82	60	25.2	290
KM 3	1/2"	35	30	82	60	28.2	336
KM 4	1/2"	38	30	82	60	32.2	389
KM 5	1/2"	44	35	82	60	38.2	500
KM 6	1/2"	52	35	82	60	45.2	654
KM 7	1/2"	60	38	82	60	52.2	849
KM 8	1/2"	67	38	82	60	58.3	1021
KM 9	3/4"	73	44	90	62	65.4	1231
KM 10	3/4"	78	44	90	62	70.4	1300
KM 11	3/4"	82	54	90	62	75.4	1500
KM 12	3/4"	88	54	90	62	80.4	1620
KM 13	3/4"	96	60	90	62	85.4	2000
KM 14	1"	103	86	110	74	92.5	3490
KM 15	1"	109	86	110	74	98.5	3680
KM 16	1"	115	86	110	74	105.6	3810
KM 17	1"	121	86	110	74	110.6	3970
KM 18	1"	130	86	110	74	120.3	4450
KM 19	1"	135	86	110	74	125.6	4540
KM 20	1"	145	86	110	74	130.6	5150



SOCKETS FOR AXIAL NUTS (SOCKETS FOR BALL BEARING NUTS)

CATALOG No.	SD	D	d	L	T	id	No. of teeth	Weight
		mm	mm	mm	mm	mm		gr
GU0	3/8"	22	19	57	44	18.1	4	90
GU1	3/8"	30	19	57	44	21.2	4	110
GU2	1/2"	32	30	82	60	24.2	4	290
GU3	1/2"	35	30	82	60	28.2	4	336
GU4	1/2"	38	30	82	60	32.2	4	389
GU5	1/2"	44	35	82	60	38.2	4	500
GU6	1/2"	52	35	82	60	44.2	4	654
GU7	1/2"	60	38	82	60	50.2	4	849
GU8	1/2"	67	38	82	60	56.3	4	1021
GU9	3/4"	73	44	90	62	62.4	4	1231
GU10	3/4"	78	44	90	62	68.4	4	1300
GU11	3/4"	82	54	90	62	75.4	6	1500
GU12	3/4"	88	54	90	62	80.4	6	1620
GU13	3/4"	96	60	90	62	85.4	6	2000
GU14	1"	103	86	110	74	92.5	6	3490
GU15	1"	109	86	110	74	98.5	6	3680
GU16	1"	115	86	110	74	105.6	8	3810
GU17	1"	121	86	110	74	110.6	8	3970
GU18	1"	130	86	110	74	120.6	8	4450
GU19	1"	135	86	110	74	125.6	8	4540
GU20	1"	145	86	110	74	130.6	8	5150