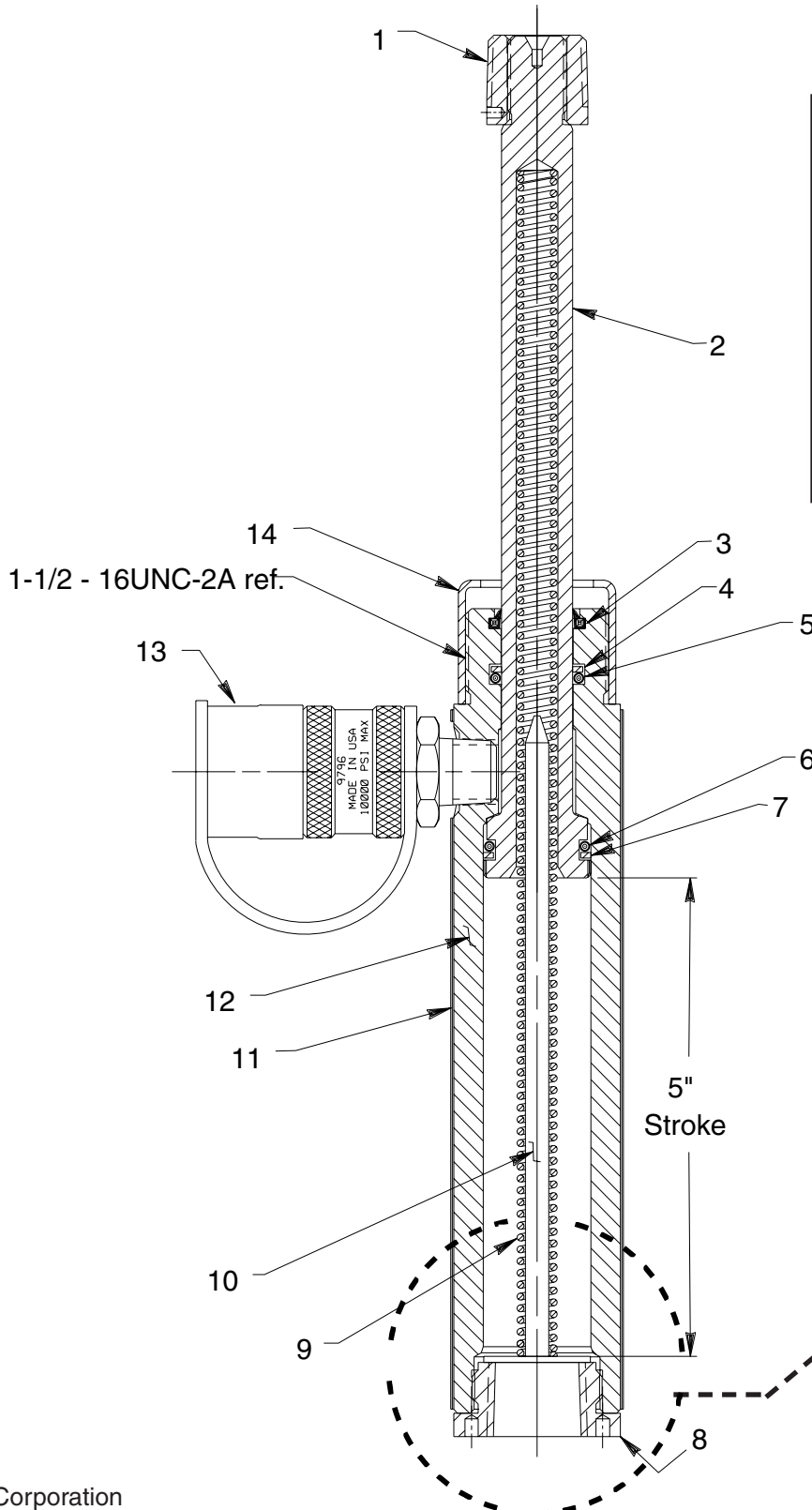


SINGLE-ACTING, SPRING RETURN, PULL - 2 TON HYDRAULIC CYLINDER



WARNING:
To help avoid personal injury, use extreme care when disassembling this cylinder. The threaded end cap (Item #8) is loaded with 40 lbs. of spring force and releasing this spring force improperly could result in bodily harm.

Parts List, Form No. 101291, Back sheet 1 of 1

Item No.	Part No.	No. Req'd	Description
1	250820	1	Threaded Piston Adapter (For RP25; NOTE: Apply Loctite 242 or equivalent to last two threads and torque to 30/35 ft. lbs.)
2	420483	1	Piston Rod
3	*250822	1	Rod Wiper
4	*19138	1	Backup Washer (1" x 3/4 x .048)
5	*10276	1	O-ring (1" X 3/4 X 1/8)
6	*10278	1	O-ring (1-1/8 X 7/8 X 1/8)
7	*19139	1	Backup Washer (1-1/8 x 7/8 x .048)
8	250816	1	Threaded End Cap (NOTE: Apply Loctite 242 or equivalent to last two threads and torque to 30/35 ft. lbs.)
9	250821	1	Compression Spring
10	250817	1	Spring Guide Weldment
11	350441	1	Trade Name Decal
12	420482	1	Cylinder Body
13	9796	1	Ram Half Coupler w/ Plastic Dust Cap (For RP25)
	11127	1	Drive Plug (For RP25-CREN & RP25-PAC)
14	36141	1	Plastic Thread Protector (For RP25 & RP25-CREN)

Part numbers marked with an asterisk (*) are contained in Standard Repair Kit No. 300628.

Refer to any operating instructions included with this product for detailed information about operation, testing, disassembly, reassembly and preventive maintenance.

Items found in this parts list have been carefully tested and selected. **Therefore: Use only genuine Power Team replacement parts!**

Additional questions can be directed to our Technical Services Department.

Note: Shaded areas reflect last revision(s) made to this form.