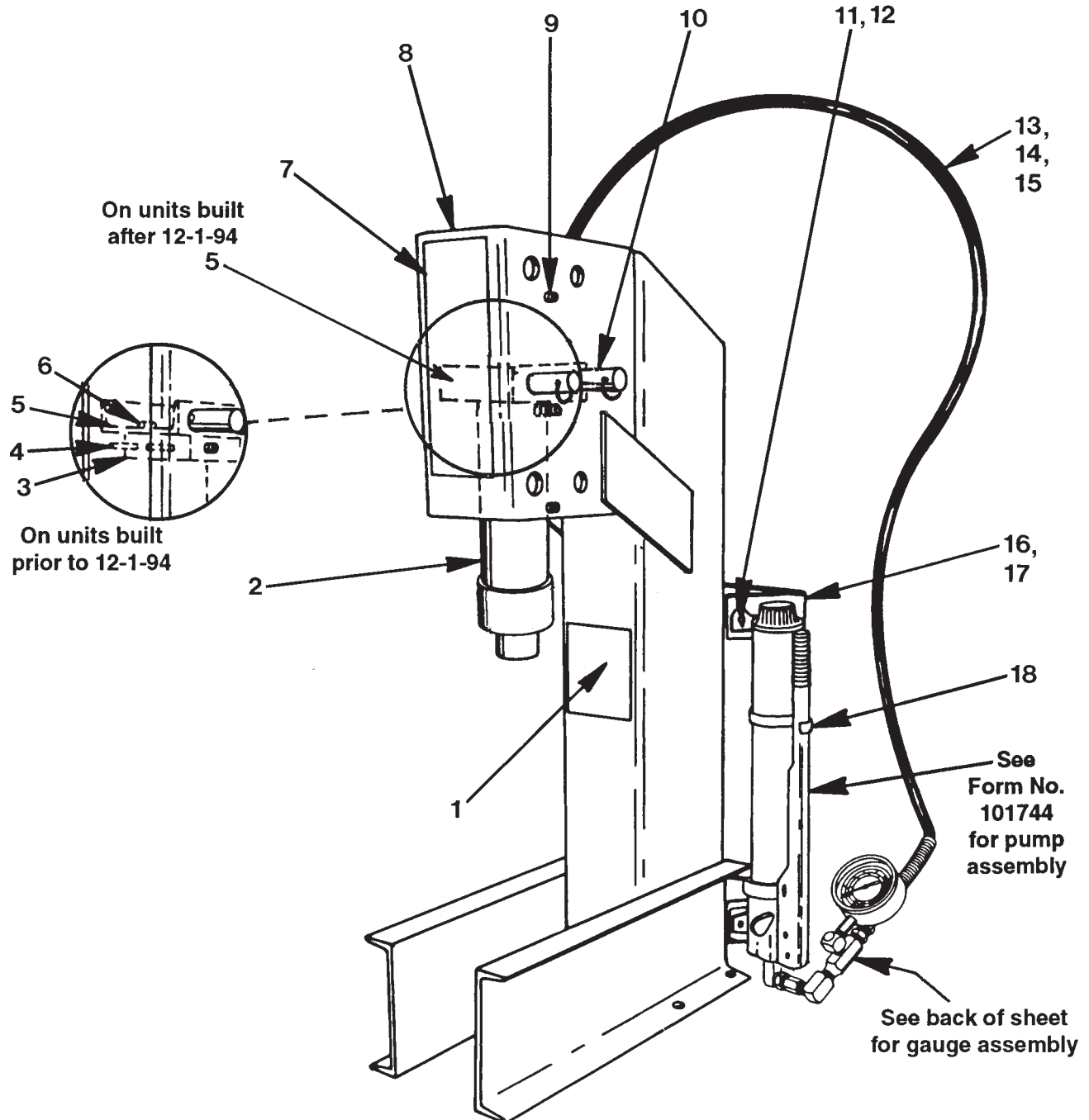


"C" STYLE BENCH PRESS

Max. Capacity: 25 Tons



Parts List, Form No. 100781, Back sheet 1 of 1

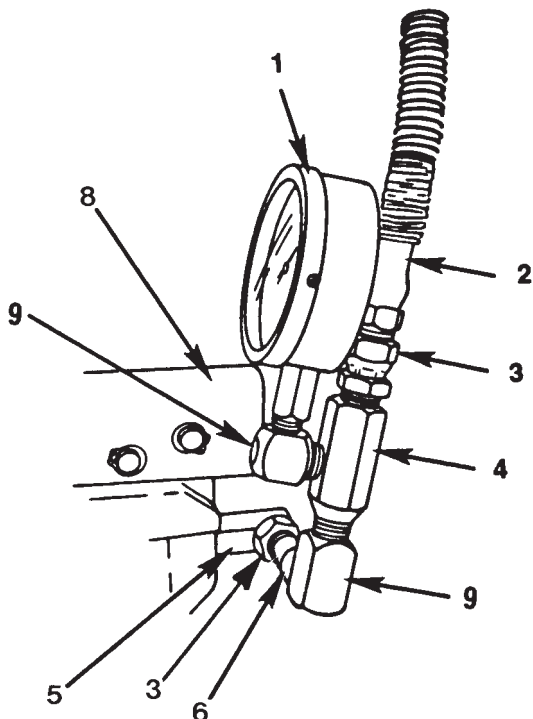
Item No.	Part No.	No. Req'd	Description
1	303337	1	Warning Decal
2	C256C	1	Cylinder Assembly (See Form No. 101486)
3	44188	1	Top Plate (On units built prior to 12-1-94 only)
4	12026	2	Roll Pin (On units built prior to 12-1-94 only)
5	350953	1	Ram Mounting Plate (On units built after 12-1-94)
	44191	1	Ram Mounting Channel (On units built prior to 12-1-94)
6	10085	2	Hex Hd. Cap Screw (1/2-13 x 1-3/4 Lg.)
7	303058	1	Trade Name Decal
8	60826WH2	1	Press Frame
9	206593	6	Set Screw (3/8-16 x 1" Lg.)
10	302171	2	Pin
11	10019	4	Hex Hd. Cap Screw (1/4-20 x 1-1/4 Lg.)
12	10199	4	Hex Nut (1/4-20)
13	9776	1	Hydraulic Hose
14	9678	1	45° Elbow Fitting (Assemble on cylinder end of hose; Refer to Form No. 102844)
15	9682	1	Nipple Fitting (Assemble on cylinder end of hose; Refer to Form No. 102844)
16	44190WH2	2	Pump Mounting Bracket
17	10029	4	Hex Hd. Cap Screw (5/16-18 x 3/4 Lg.)
18	350026	1	Handle Retainer

PARTS INCLUDED BUT NOT SHOWN

12004	4	Washer (For 1/2 bolt; used as shims to keep press vertical on bench or pedestal.)
-------	---	---

For optional pedestal stand, order Power Team No. 60846 and refer to parts list #100458.

GAUGE ASSEMBLY



Item No.	Part No.	No. Req'd	Description
1	9063	1	Pressure Gauge
2	9776	1	Hydraulic Hose
3	9675	2	Adapter Union
4	9670	1	Gauge Tee Adapter
5	9681	1	90° Elbow Fitting
6	9683	1	Pipe Nipple (3/8 NPTF)
8	P59	1	Hand Pump (See Form No. 100832)
9	9686	2	90° Elbow Fitting

Refer to any operating instructions included with this product for detailed information about operation, testing, disassembly, reassembly, and preventive maintenance.

Items found in this parts list have been carefully tested and selected. **Therefore: Use only genuine Power Team replacement parts!**

Additional questions can be directed to our Technical Services Department.

Note: Shaded areas reflect last revision(s) made to this form.