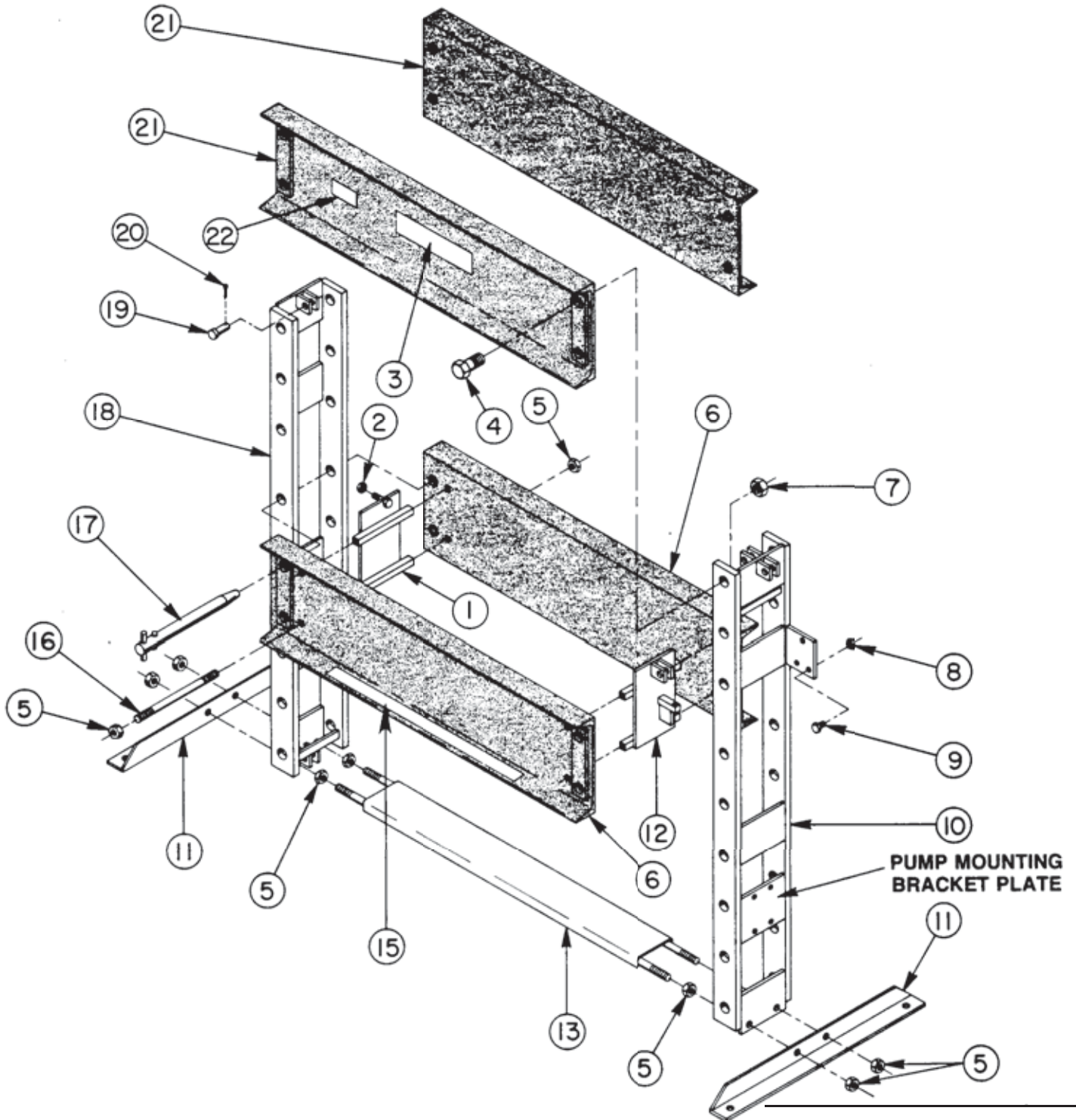


Parts List for:

1868  
1869  
SPF200

SPE15013DS  
SPE20013DS

**150/200 TON SHOP PRESS  
FRAME ASSEMBLY**



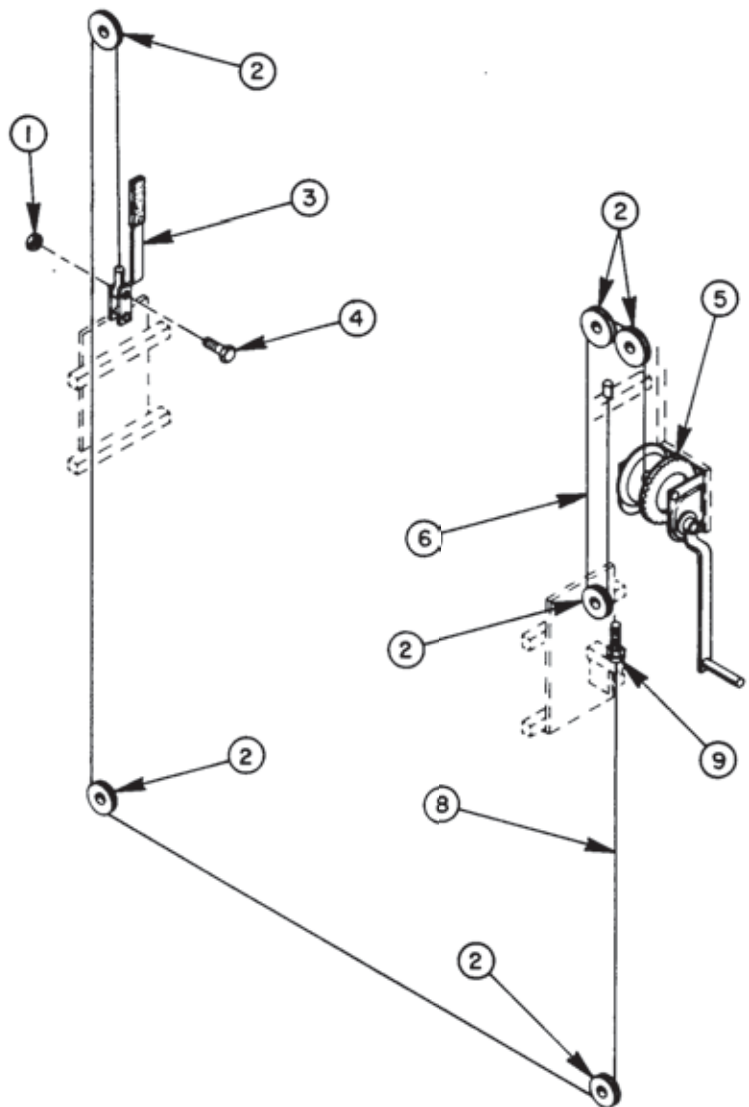
Item No.	Part No.	No. Req'd	Description
1	51807	1	Spacer, L.H. Lower Bolster
2	12013	1	Locknut (3/8-16)
3	302621	1	Trade Name Decal (for SPF200, SPE15013DS, & SPE20013DS)
	309376	1	Trade Name Decal (for 1868 & 1869)
4	302610	8	Cap Screw (special)
5	10397	16	Hex Nut (3/4-10)
6	51806-OR9	2	Lower Bolster
7	10409	8	Hex Jam Nut (1-1/2-6 UNC; Torque to 700/800 ft. lbs.)
8	10204	3	Hex Nut (3/8-16)
9	10049	3	Hex Hd. Cap Screw (3/8-16 x 1" Lg.)
10	60871	1	R.H. Upright
11	51776	2	Foot Angle
12	51808	1	Spacer, R.H. Lower Bolster
13	51777	1	Upright Spacer
15	46909	1	Warning Decal
16	302524	4	Spacer Rod
17	44466	4	Cross Pin
18	60872	1	L.H. Upright
19	16654	6	Clevis Pin
20	10472	6	Cotter Pin (1/8 Dia. x 1-1/2 Lg.)
21	51805-OR9	2	Upper Bolster
22	206043	1	Instruction Decal

Refer to any operating instructions included with the product for detailed information about operation, testing, disassembly, reassembly, and preventive maintenance.

Items found in this parts list have been carefully tested and selected. **Therefore: Use only genuine replacement parts!**

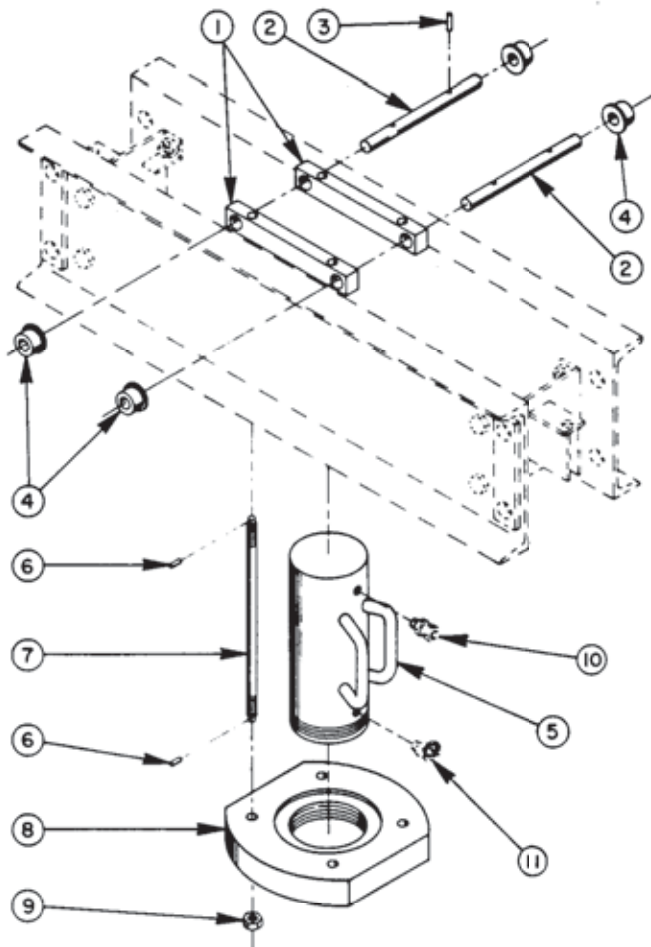
Additional questions can be directed to our Technical Services Department.

### CABLE ASSEMBLY



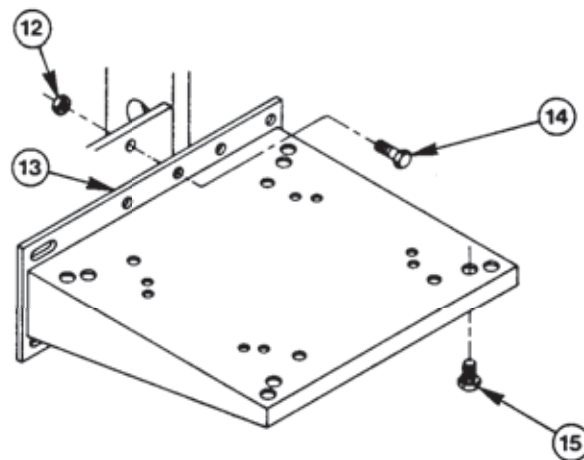
Item No.	Part No.	No. Req'd	Description
1	13116	1	Locknut (5/16-18)
2	16659	6	Pulley (3" O.D.)
3	38445	1	Handle
4	10035	1	Hex Hd. Cap Screw (5/16-18 x 1-1/2 Lg.)
5	302618	1	Winch
6	207043	1	Winch Cable
8	302619	1	Press Cable
9	10204	2	Hex Nut (3/8-16)

### CYLINDER MOUNTING ASSEMBLY

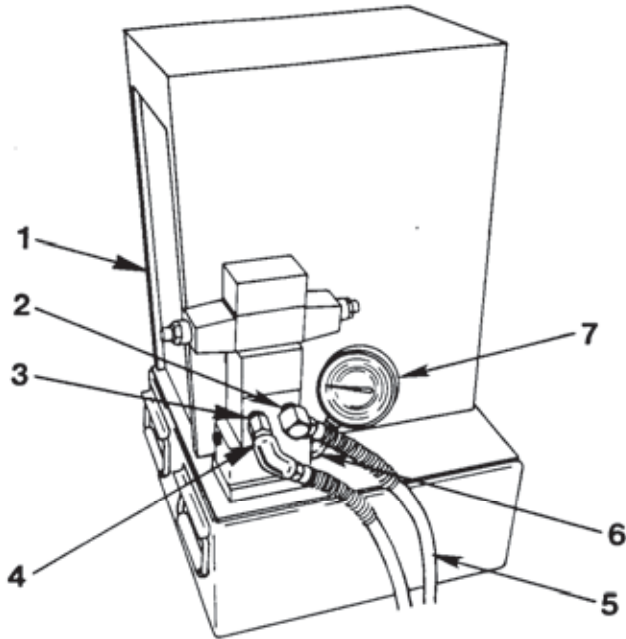


Item No.	Part No.	No. Req'd	Description
1	44419	2	Bar
2	302604	2	Bar
3	10982	4	Roll Pin (1/4 Dia. x 1-1/2 Lg.)
4	206944	4	Roller
5	51684	1	Double-Acting Cylinder (see Form #100303; for 1868 & SPE15013DS; includes Items 14 & 15)
	52352	1	Double-Acting Cylinder (see Form #100304; for 1869; includes Items 14 & 15)
	RD20013	1	Double-Acting Cylinder (see Form #100304; for SPE20013DS)
6	10585	8	Roll Pin (1/4 Dia. x 1" Lg.)
7	302606	4	Threaded Rod
8	60879	1	Ram Mounting Plate (for 1868 & SPE15013DS)
	60875	1	Ram Mounting Plate (for 1869 & SPE20013DS)
9	10216	4	Hex Nut (3/4-10 UNC)
10	10469	1	Straight Fitting
11	10648	1	45° Elbow Fitting
12	10204	4	Hex Nut 3/8-16)
13	50931	1	Pump Mounting Bracket
14	10052	4	Hex Hd. Cap Screw (3/8-16 x 1-1/4 Lg.)
15	10798	4	Hex Hd. Cap Screw (1/2-20 x 3/4 Lg.)

### PUMP MOUNTING BRACKET



PUMP HOOKUP



Item No.	Part No.	No. Req'd	Description
1	PQ1204S	1	Electric Pump (see Form #100353; for SPE15013DS & SPE20013DS)
	61217	1	Electric Pump (see Form #100601; for 1868 & 1869)
2	10474	1	Elbow Fitting (90° x 3/8 NPTF)
3	9683	1	Straight Fitting (3/8 NPTF)
4	10647	1	Elbow Fitting (90° x 3/8 NPTF)
5	36888	2	Hyd. Hose (10 ft.)
6	10645	1	45° Street Elbow
7	9077	1	Gauge (150 ton presses)
	9079	1	Gauge (200 ton presses)