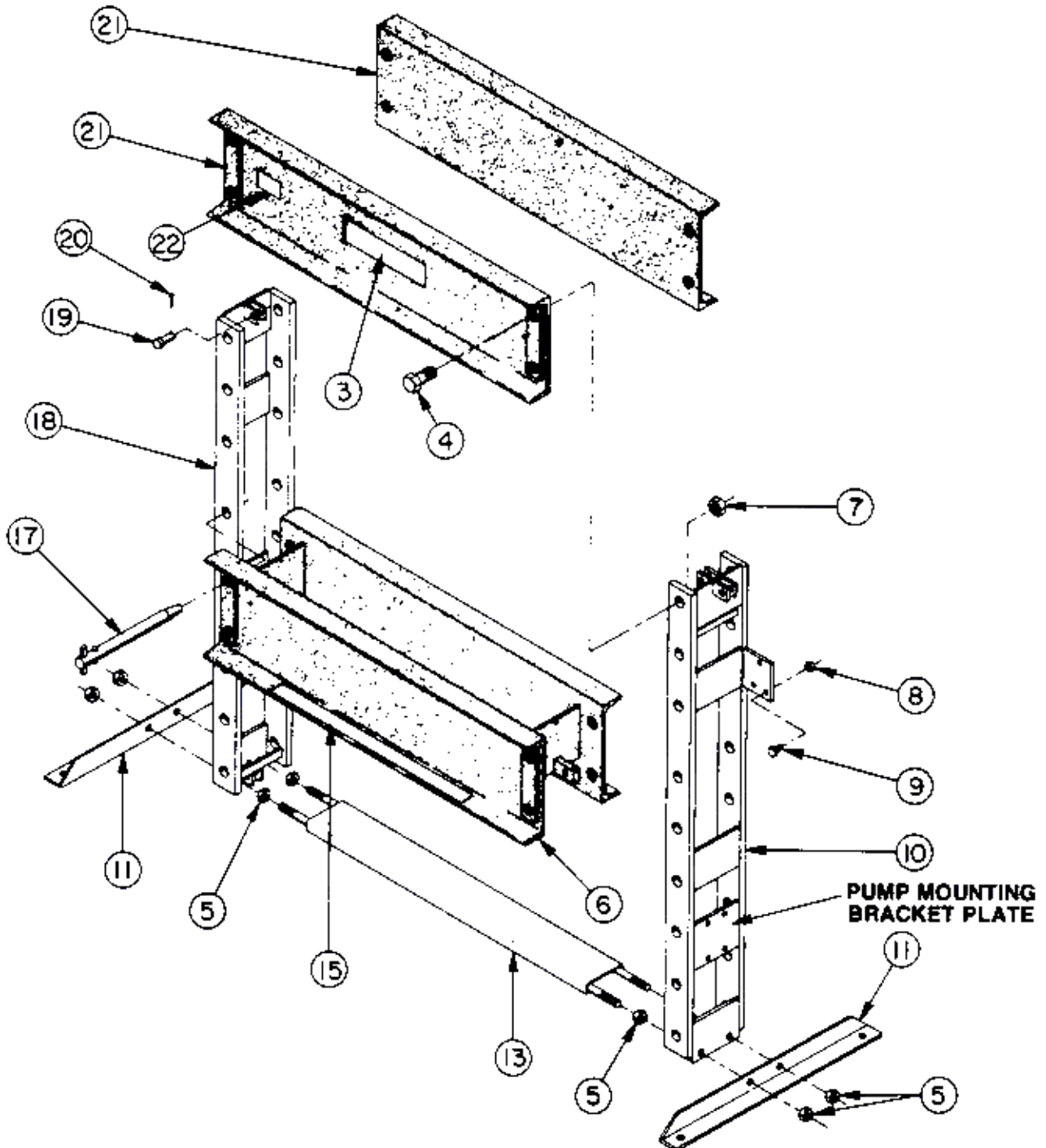


Parts List for:

SPE10010	SPF100 (press frame only)
SPE10010R	SPM10010
SPE10013DS	

## 100 TON SHOP PRESS Frame Assembly

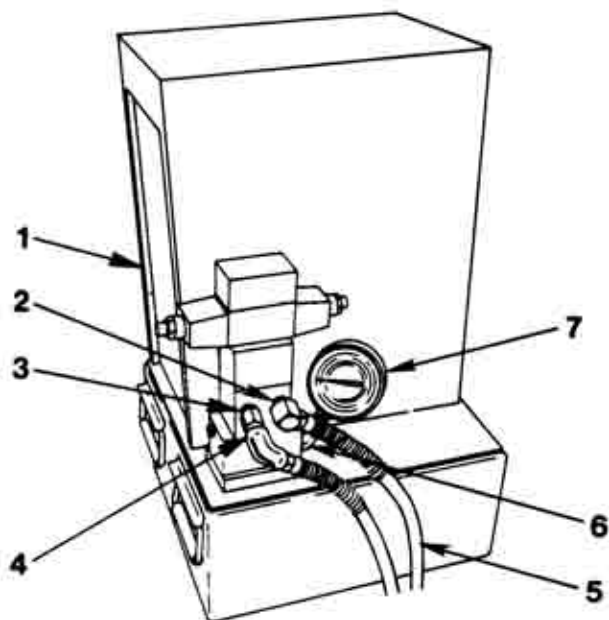


Item No.	Part No.	No. Req'd	Description
3	36586	1	Trade Name Decal
4	204344	8	Special Cap Screw
5	10397	8	Hex Nut (3/4-10)
6	61144OR9	1	Lower Bolster
7	10406	8	Hex Jam Nut (1-3/8 -12; Torque to 275/300 ft. lbs.)
8	10204	3	Hex Nut (3/8-16)
9	10049	3	Hex Hd. Cap Screw (3/8-16 x 1" Lg.)
10	51229	1	Upright, R.H.
11	25849	2	Foot Angle

Item No.	Part No.	No. Req'd	Description
13	43176	1	Upright Spacer
15	46909	1	Warning Decal
17	38166	4	Cross Pin
18	51230	1	Upright, L.H.
19	16654	AR	Clevis Pin
20	10472	AR	Cotter Pin (1/8 Dia. x 1-1/2" Lg.)
21	43148OR9	2	Upper Bolster
22	206043	1	Instruction Decal
			<b>Parts Included but Not Shown</b>
	310051	1	Made in USA Decal

AR = As Required

### PQ603 OR PQ1204S ELECTRIC PUMP HOOKUP



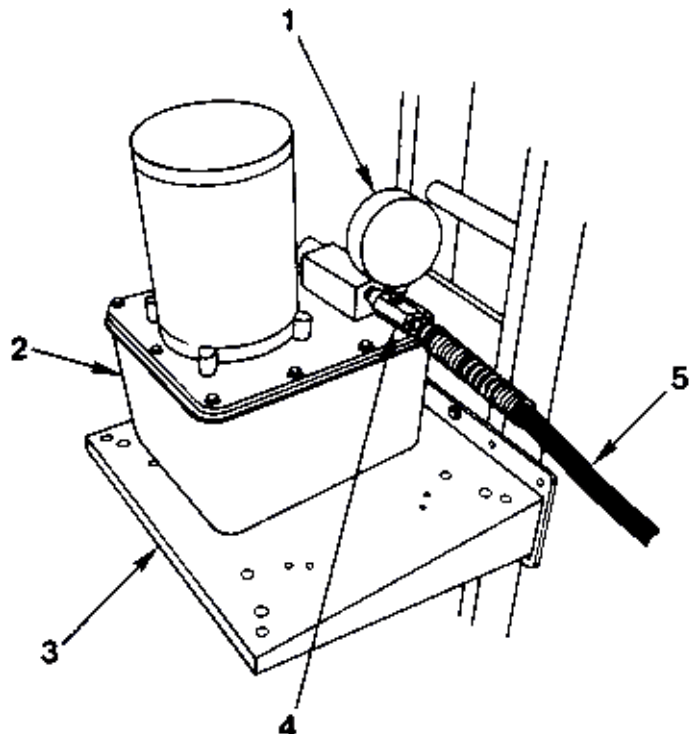
Item No.	Part No.	No. Req'd	Description
1	PQ603	1	Electric Pump (see Form #100353; for SPE 10010)
	PQ1204S	1	Electric Pump (see Form #100353; for SPE10013DS)
2	10474	1	Elbow Fitting (90° x 3/8 NPTF; used on all pumps)
3	9683	1	Straight Fitting (3/8 NPTF; for SPE10013DS)
4	10647	1	Elbow Fitting (90° x 3/8 NPTF; for SPE10013DS)
5	350158	1	Hyd. Hose, 10 ft. (for SPE10010)
	350158	2	Hyd. Hose, 10 ft. (for SPE10013DS)
6	10645	1	45° Street Elbow (for SPE10010 & SPE10013DS)
7	9075	1	Gauge
			<b>Parts Included but Not Shown</b>
	50931	1	Pump Mounting Bracket

Refer to any operating instructions included with this product for detailed information about operation, testing, disassembly, reassembly, and preventive maintenance.

Items found in this parts list have been carefully tested and selected. **Therefore: Use only genuine replacement parts!**

Additional questions can be directed to our Technical Services Department.

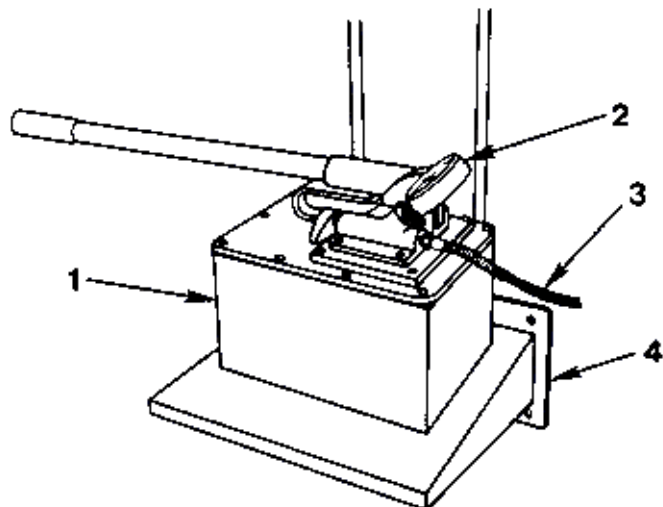
**PE172 ELECTRIC PUMP**



Item No.	Part No.	No. Req'd	Description
1	9075	1	Gauge
2	PE172	1	Electric Pump (see Form #100577; for SPE10010R)
3	50931	1	Pump Mounting Bracket
4	350527	1	Tee Adapter
5	350158	1	Hyd. Hose, 10 ft.

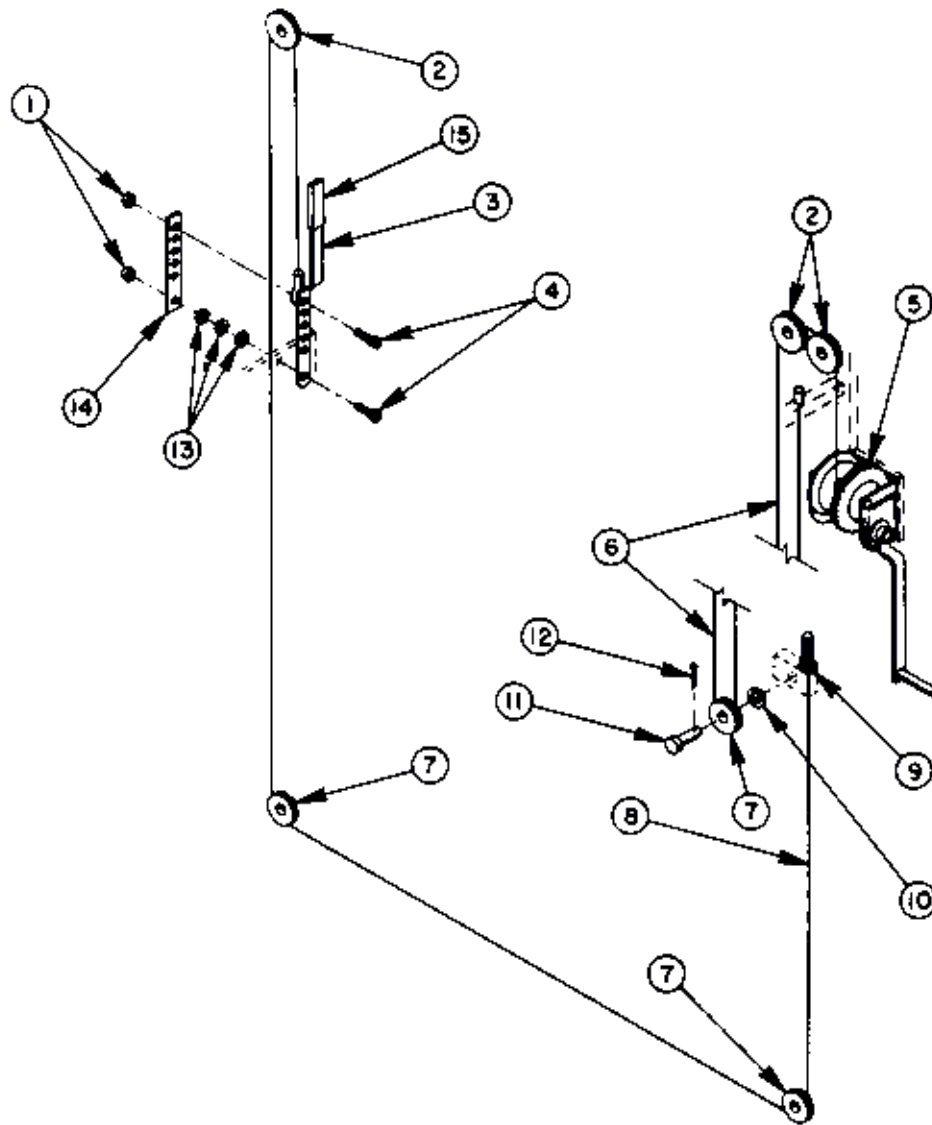
Note: Pump mounting hardware is included with the pump.

**P460 HAND PUMP**



Item No.	Part No.	No. Req'd	Description
1	P460	1	Hand Pump (see Form #100390; for SPM10010)
2	9075	1	Gauge
3	350158	1	Hyd. Hose, 10 ft.
4	50931	1	Pump Mounting Bracket

### CABLE ASSEMBLY

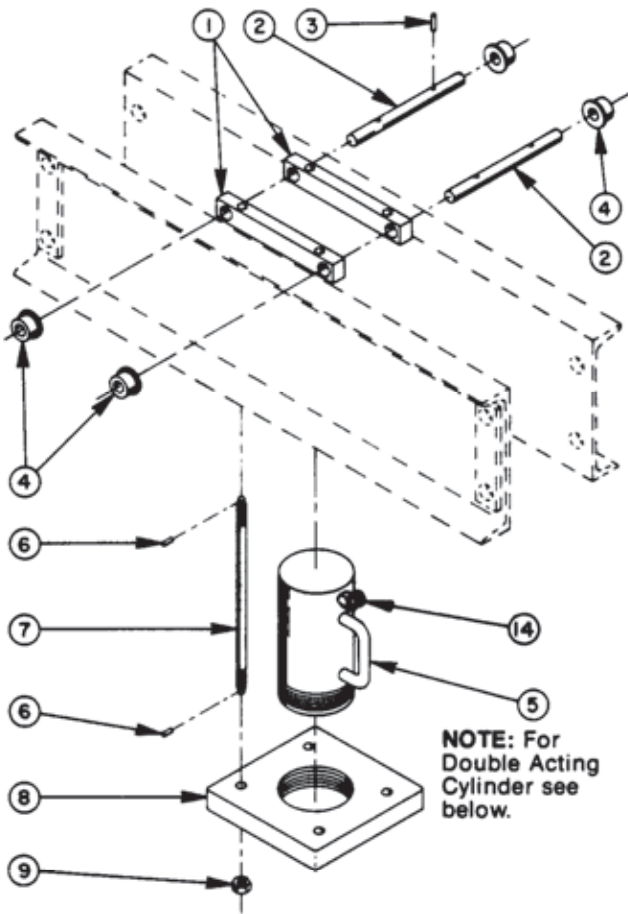


Item No.	Part No.	No. Req'd	Description
1	12809	2	Locknut (1/4-20)
2	16659	3	Pulley (3" O.D.)
3	38579	1	Handle
4	10020	2	Cap Screw (1/4-20 x 1-1/4" lg.)
5	18895-1	1	Winch
6	207043	1	Winch Cable
7	16653	3	Pulley (2-1/2 O.D.)
8	38200	1	Press Cable

Item No.	Part No.	No. Req'd	Description
9	10204	1	Hex Nut (3/8-16)
10	12330	1	Washer (for 3/4" bolt)
11	16654	AR	Clevis Pin
12	10472	AR	Cotter Pin
13	12719	3	Washer (for 1/4" bolt)
14	201929	1	Cable Strap
15	17241	1	Handle Grip

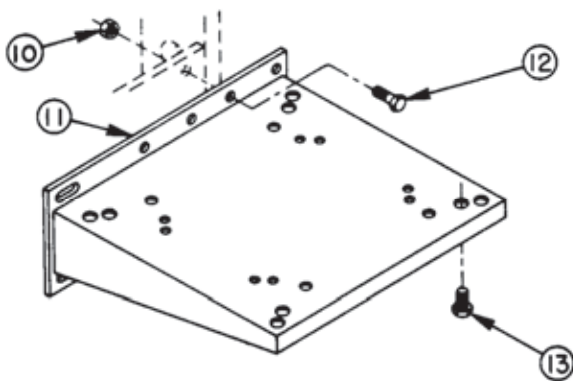
AR=As Required

### CYLINDER MOUNTING ASSEMBLY



Item No.	Part No.	No. Req'd	Description
1	44419	2	Bar
2	302551	2	Bar
3	10982	4	Roll Pin (1/4 dia. x 1-1/2" lg.)
4	206944	4	Roller
5	52434	1	Single-Acting Cylinder (see Form #100385; for SPE10010, SPM10010, & SPE10010R; includes Item 14)
	51683	1	Double-Acting Cylinder (see Form #100302; for SPE10013DS; includes Item 14)
6	10585	8	Roll Pin (1/4 dia. x 1" lg.)
7	302549	4	Threaded Rod
8	52451	1	Ram Mounting Plate (for SPE10010, SPM1001C, & SPE10010R)
	51786	1	Ram Mounting Plate (for SPE10013DS)
9	10216	4	Hex Nut (3/4-10 UNC)
10	10204	2	Hex Nut (3/8-16)
11	50931	1	Pump Mounting Bracket
12	10052	2	Hex Hd. Cap Screw (3/8-16 x 1-1/4" lg.)
13	10798	4	Hex Hd. Cap Screw (1/2-20 x 3/4" lg.)
14	10648	1	45° Elbow Fitting (included with 52434 Single-Acting Cylinder)
15	10648	2	45° Elbow Fitting (included with 51683 Double-Acting Cylinder)

### PUMP MOUNTING BRACKET



### DOUBLE-ACTING CYLINDER

