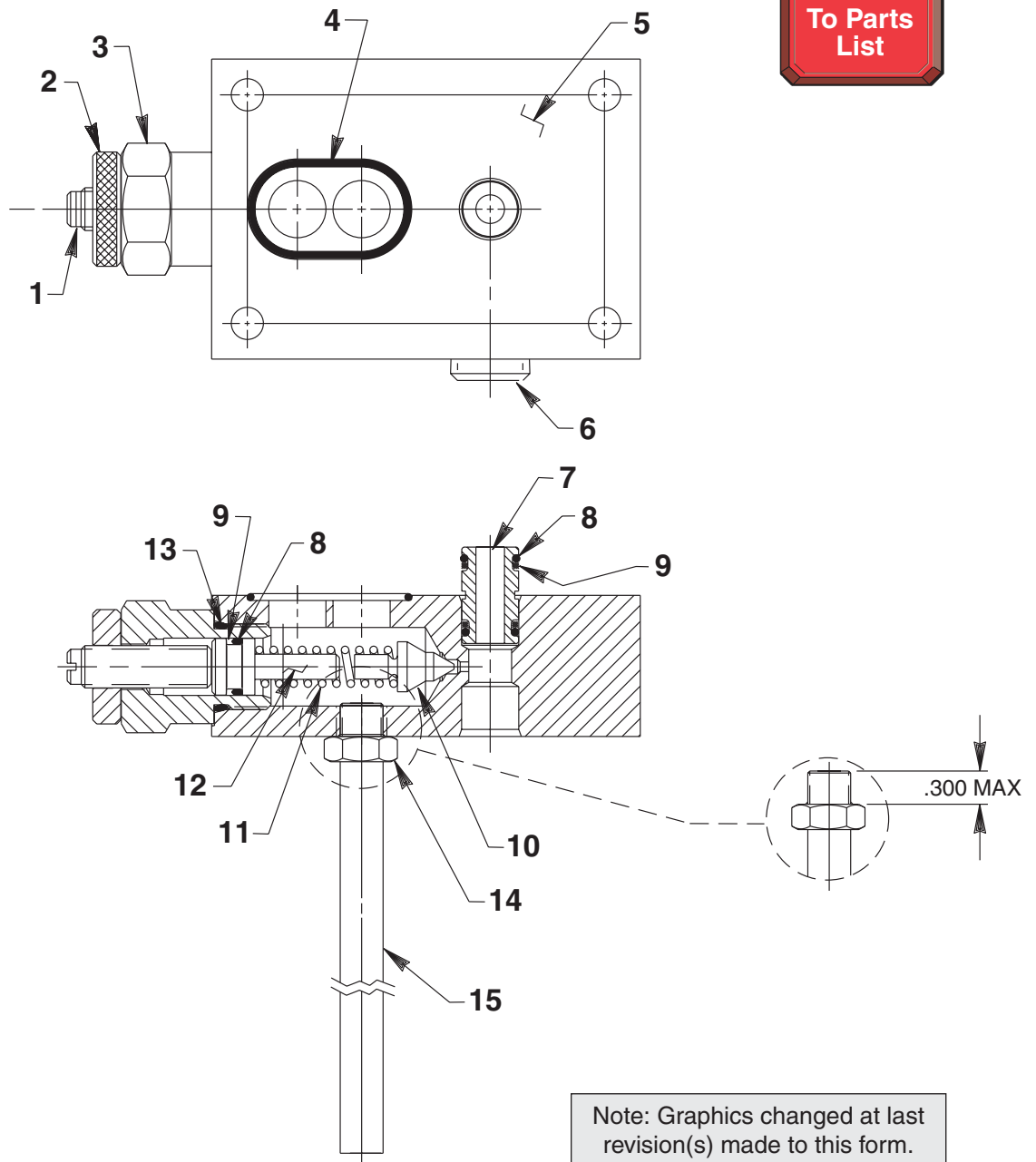


TANDEM SUBPLATE REGULATOR VALVE ASSEMBLY



Parts List, Form No. 101702, Back sheet 1 of 1

Item No.	Part No.	No. Req'd	Description
1	22362	1	Adjusting Screw
2	215683	1	Regulator Locking Nut
3	21305	1	Valve Cap
4	15175	1	O-ring (1-1/4 x 1-1/8 x 1/16)
5	58582	1	Valve Body
6	13273	1	Plug
7	21094	1	Bushing
8	10268	3	O-ring (1/2 x 3/8 x 1/16)
9	11863	3	Backup Washer (1/2 x 3/8 x 1/16)
10	21046	1	Valve Stem
11	10495	1	Compression Spring (1/2 O.D. x 1-5/8 Lg.)
12	21306	1	Spring Guide
13	10527	1	O-ring (13/16 x .644 x .87)
14	10386	1	Hex Jam Nut (3/8-24)
15	27323	1	Drain Tube

PARTS INCLUDED BUT NOT SHOWN

11956	4	Cap Screw (1/4-20 UNC x 3" Lg.)
216234	4	Cap Screw (1/4-20 UNC x 4" Lg.)
251962	4	Cap Screw (1/4-20 UNC x 4-1/4 Lg.)
20847	1	Drain Tube



Refer to any operating instructions included with this product for detailed information about operation, testing, disassembly, reassembly, and preventive maintenance.

Items found in this parts list have been carefully tested and selected. **Therefore: Use only genuine Power Team replacement parts!**

Additional questions can be directed to our Technical Services Department.

Note: Shaded areas reflect last revision(s) made to this form.