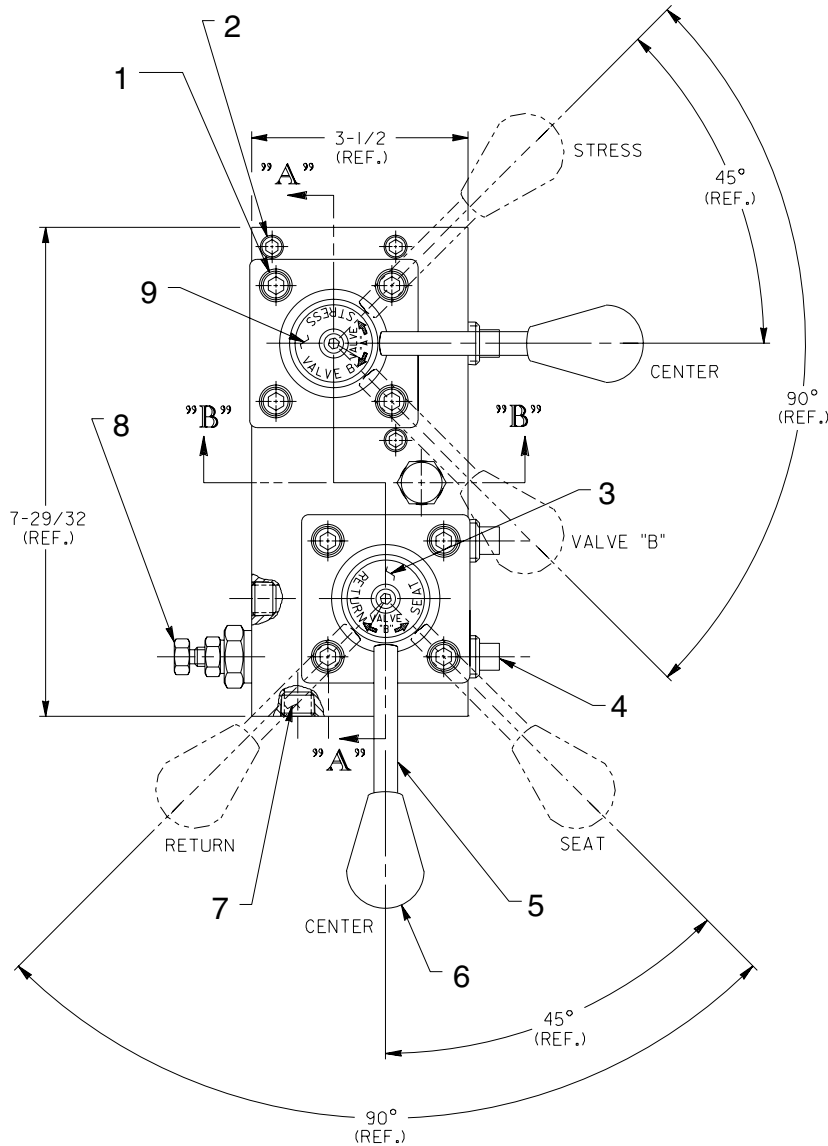


## VALVE ASSEMBLY SIX POSITION, 5-WAY MANUAL DUAL



Item No.	Part No.	No. Req'd	Description
1	11013	8	Soc. Hd. Cap Screw (5/16-18 x 1" Lg.; Torque to 300/320 in. lbs.)
2	17428	3	Soc. Hd. Cap Screw (1/4-20 x 3-1/2 Lg; Note: when using this valve on a PE30 Series pump order (4) 216234 Screws for mounting valve to pump.)

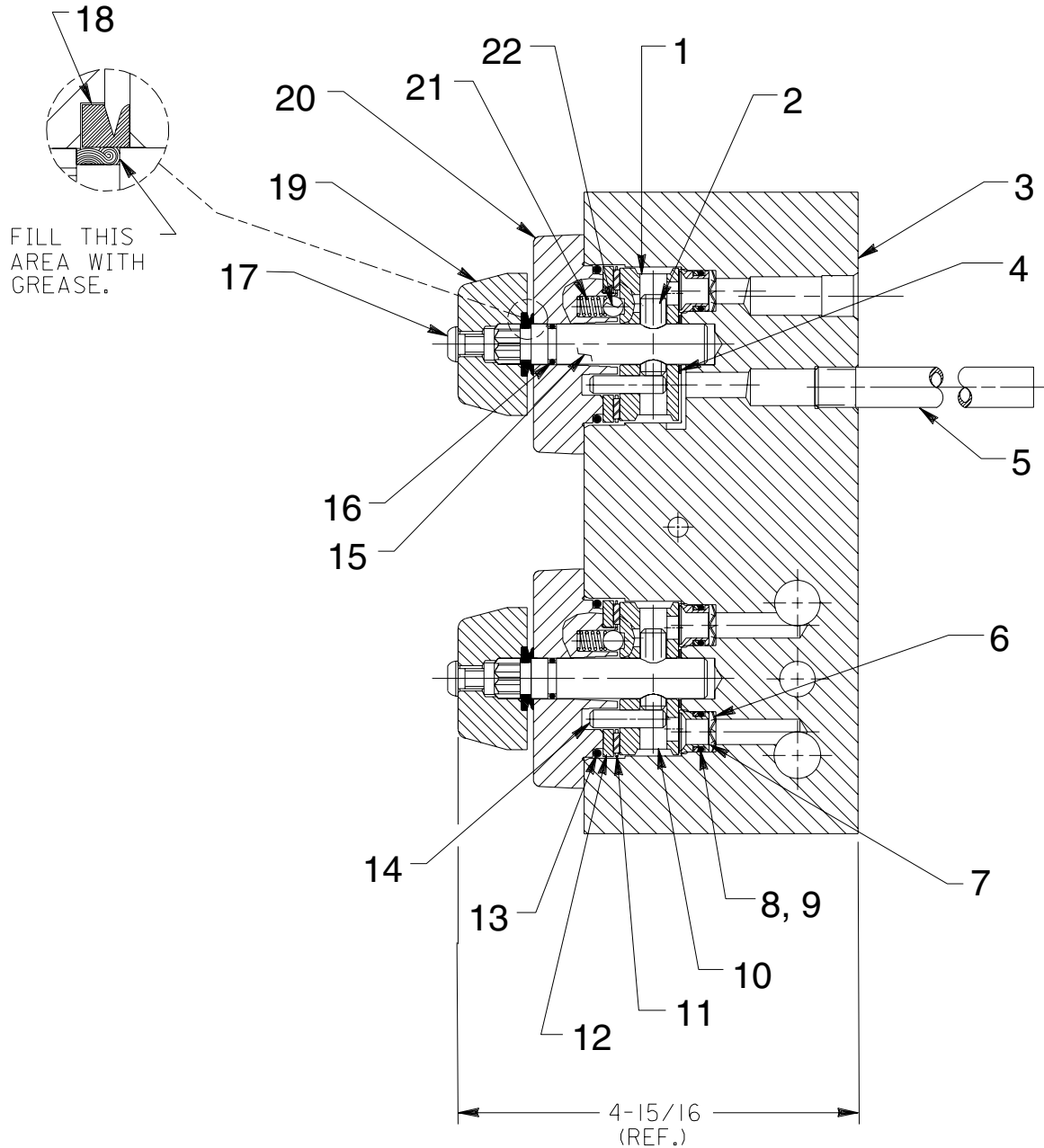
Item No.	Part No.	No. Req'd	Description
3	214252	1	Decal
4	11127	3	Pipe Plug (3/8 NPTF)
5	21639	2	Handle Stud
6	211911	2	Plastic Knob
7	14972	5	Pipe Plug (1/4 NPTF)
8	214250	1	Cartridge Relief Valve
9	214251	1	Decal

Note: Shaded areas reflect last revision(s) made to this form.

Sheet No. 1 of 2

Issue Date: Rev. 11-20-95

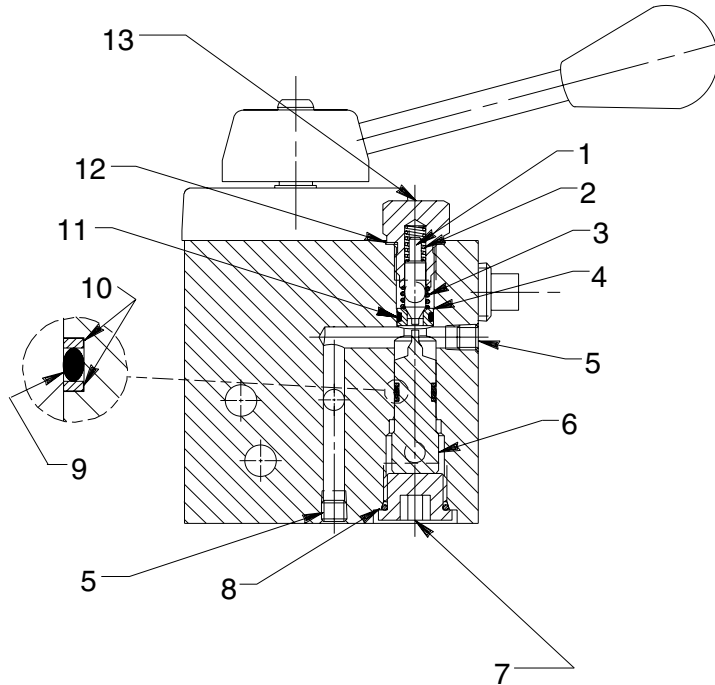
SECTION A-A



Item No.	Part No.	No. Req'd	Description	Item No.	Part No.	No. Req'd	Description
1	306032	1	Rotor	13	*15892	2	O-ring (1.956 x 1.720 x .118, -924)
2	10496	2	Slotted Spring Pin (5/16 x 1" Lg.)	14	250056	2	Slotted Spring Pin (7/32 dia.)
3	64115	1	Valve Body	15	46048	2	Stem
4	214801	2	Spacer Washer	16	*13943	2	O-ring (1/2 x 3/8 x 1/16, -012)
5	200609	1	Drain Tube	17	15911	2	Hex. Soc. But. Hd. Cap Screw (1/4-20 x 5/8 Lg.; Torque to 60/80 in. lbs. NOTE: Apply Loctite No. 222 or equivalent at assembly)
6	21975	6	Spring Washer	18	*213674	2	V-ring
7	202480	6	Shear Seal	19	46057	2	Stem End
8	*10268	6	O-ring (1/2 x 3/8 x 1/16, -012)	20	61343	2	End Cap
9	*11863	6	Backup Washer (-012)	21	15691	2	Compression Spring
10	46060	1	Rotor	22	10375	2	Metallic Ball (1/4 dia.)
11	11228	2	Roller Thrust Bearing				
12	11227-1	2	Thrust Bearing Washer				

Part numbers marked with an asterisk (\*) are contained in Repair Kit No. 300594.

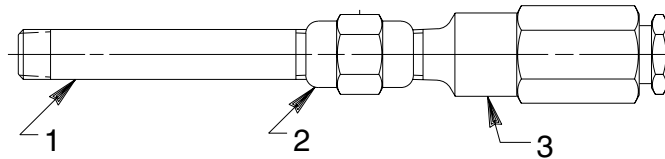
**SECTION B-B**



Item No.	Part No.	No. Req'd	Description
1	250020	1	Poppet
2	11024	1	Compression Spring
3	250022	1	Compression Spring
4	250021	1	Replaceable Seat
5	15130	7	Pipe Plug (level-seal 1/16 NPTF)
6	250333	1	Piston
7	214014	1	Hex. Drive O-ring Boss Plug (Note: Discard rubber o-ring)
8	*215193	1	O-ring (13/16 x 5/8 x 1/16, -114; Replaces o-ring on Item #7)
9	*10268	1	O-ring (1/2 x 3/8 x 1/16, -012)
10	*11863	2	Backup Washer (-012)
11	*14763	1	O-ring (7/16 x 5/16 x 1/16, -011)
12	14874	1	Copper Washer
13	307136	1	Valve Screw (Torque to 250/280 in. lbs.)

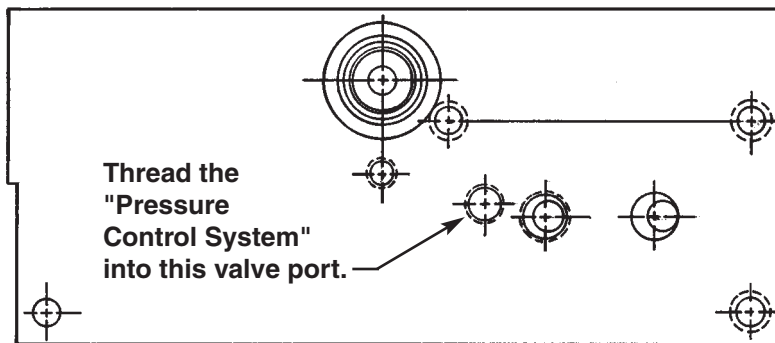
Parts numbers marked with an asterisk (\*) are contained in Repair Kit No. 300594.

**"B" PORT PRESSURE CONTROL SYSTEM**



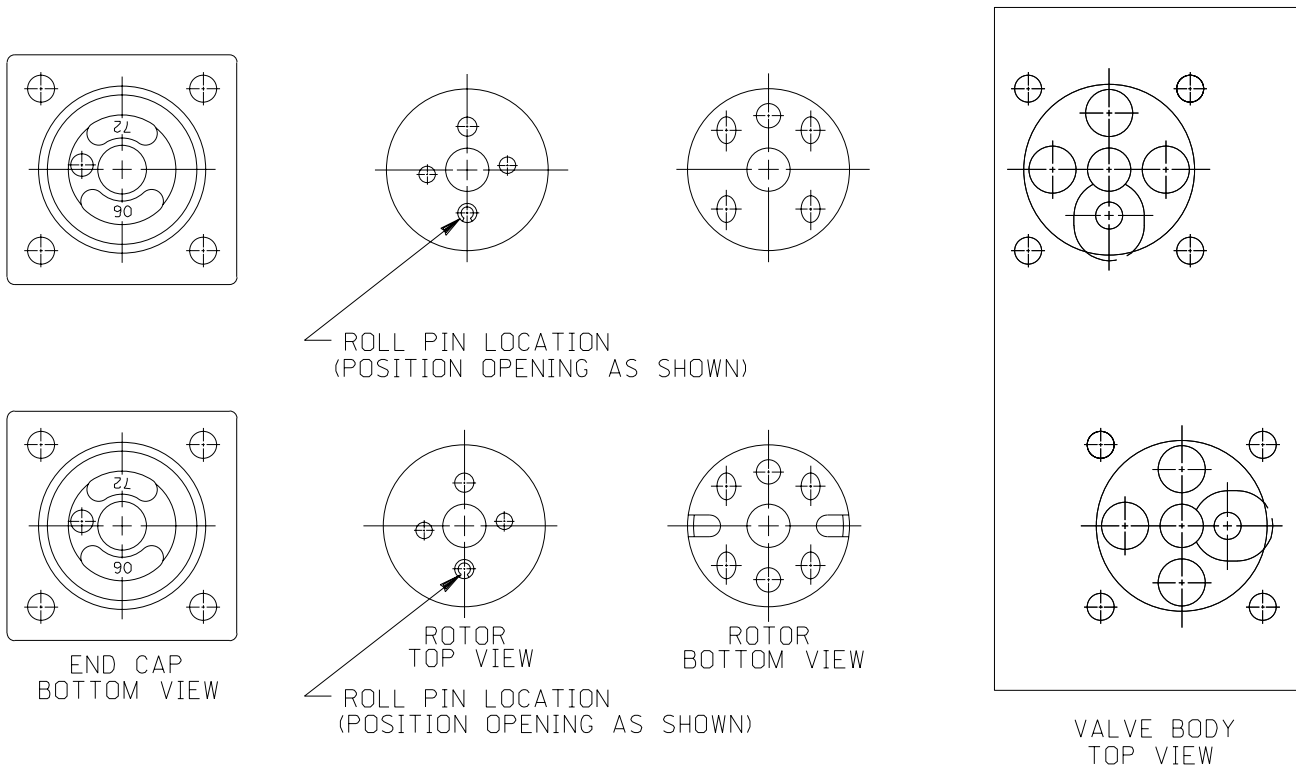
Item No.	Part No.	No. Req'd	Description
1	12891-1	1	Pipe Nipple
2	18841	1	Straight Fitting
3	21278-20	1	Relief Valve (Set at 1900/2200 PSI)

**LOCATION OF "B" PORT PRESSURE CONTROL SYSTEM**



**BOTTOM VIEW OF VALVE**

## INTERNAL ASSEMBLY ORIENTATION OF PARTS



## SPECIFICATIONS

### Valve Description

Pump-mounted, six-position, detented 5-way manual dual valve with "return" port pressure control and "stressing" port release system. (14.1 to 1 ratio)

#### Rated Pressure:

Valve "A" = 10,000 PSI

Valve "B" = 6,000 PSI

Case Pressure: = 500 PSI Max.

Rated Flow: = 5 GPM

### Valve Function

#### VALVE "A" (Valve "B" must be in the center position)

Stress position: Pressure to "stress" port, valve "B" open to tank.

Center position: Pressure directed to tank, all other ports blocked.

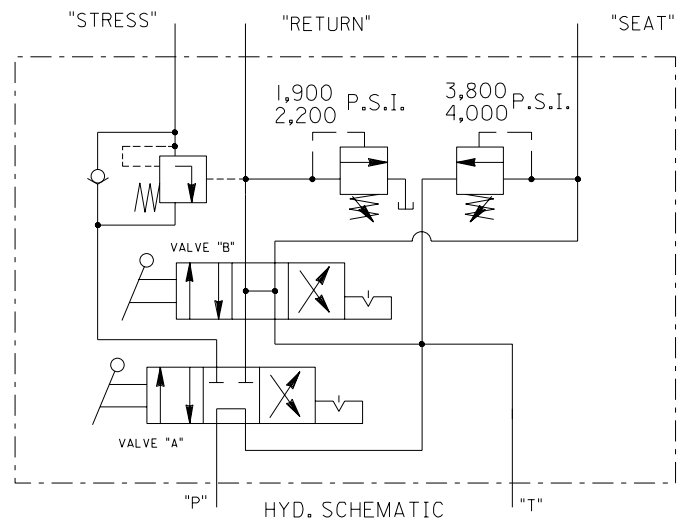
Valve "B" position: Pressure to valve "B," pressure in the "stress" port blocked or checked.

#### VALVE "B" (Valve "A" must be in valve "B" position)

Seat position: Pressure to regulated "seat" port, regulated "return" port open to tank.

Center position: All ports to tank.

Return position: Pressure to regulated "return" port, (controlled to 6,000 PSI max.) "stress" port to hold until pressure ratio is obtained and then release to tank. The "stressing" port will remain open as long as the "return" port maintains the required pressure ratio. Regulated "seat" port to tank.



**NOTE:** Pressure ratio is the pressure differential between the "stress" and "return" ports.

Max. regulator setting = 6,000 PSI