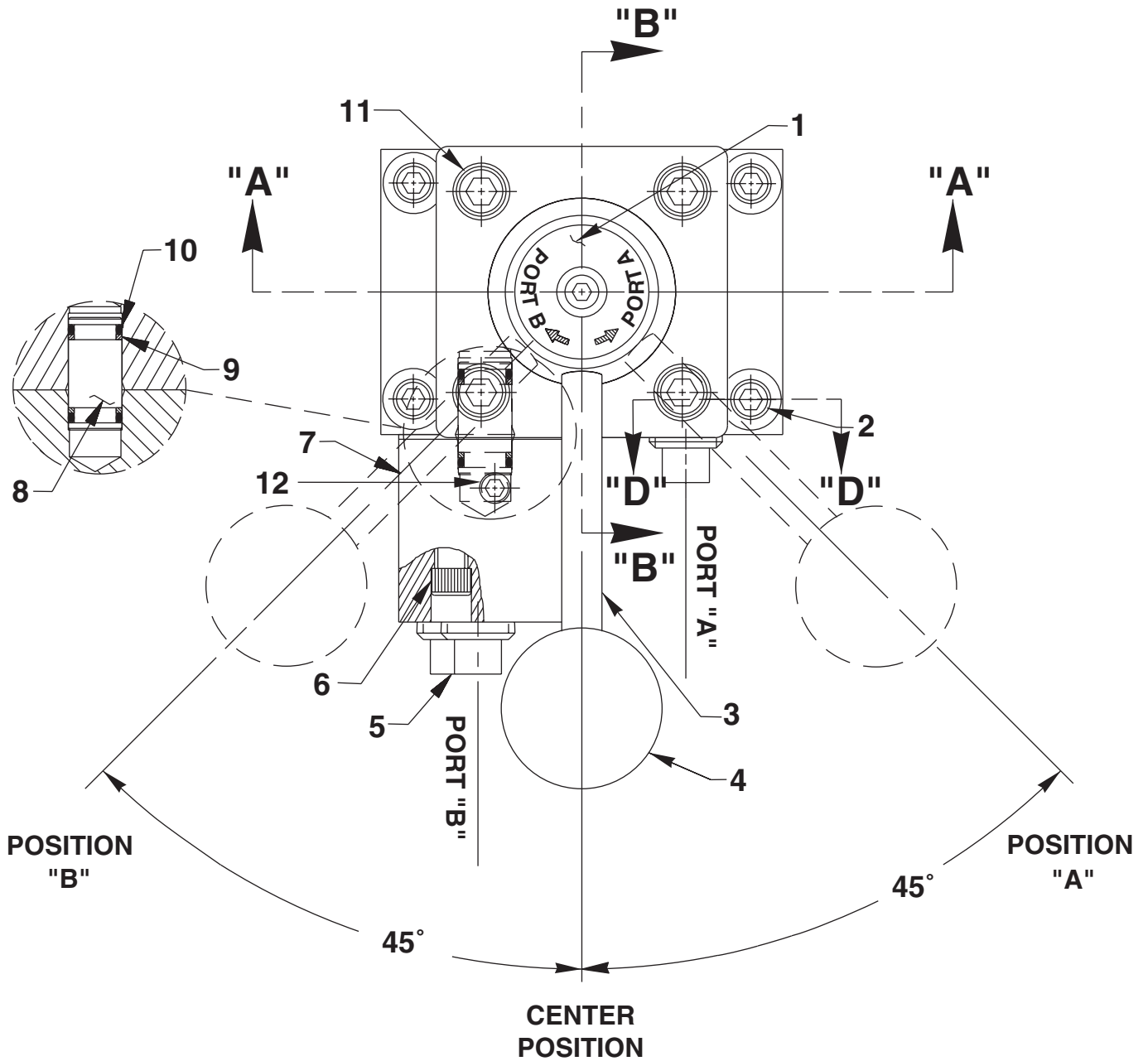


**MODEL D  
MANUAL VALVE ASSEMBLY  
TOP VIEW**



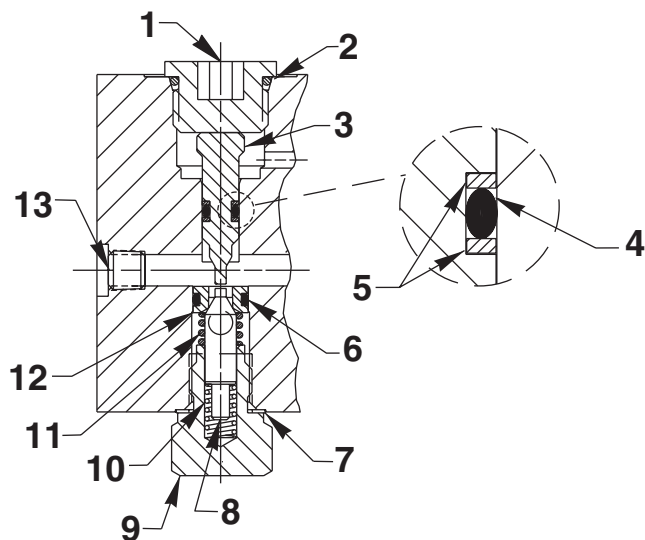
Sheet No.	1 of 3
Rev.	Date: 2 Feb. 1998

# Parts List, Form No. 101907, Back sheet 1 of 3

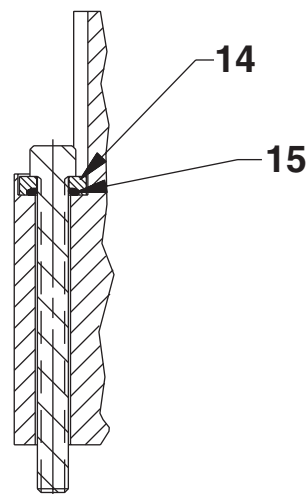
Item No.	Part No.	No. Req'd	Description
1	*211936	1	Decal
2	10856	4	Screw (1/4-20 UNC X 2-1/2 Lg.)
3	21639	1	Stud
4	211911	1	Ball Knob
5	11127	3	Plug Fitting (3/8 NPTF)
6	10854	3	Screw (1/4-20 UNC X 1-3/4" Lg.)
7	421494	1	Manifold Body
8	252181	1	Bushing
9	*11863	2	Backup Washer (1/2 X 3/8 X 1/16)
10	*10268	2	O-ring (1/2 X 3/8 X 1/16)
11	11013	4	Screw (5/16-18 X 1" Lg.; Torque to 300/320 in. lbs.)
12	15130	1	Plug Fitting (1/16 NPTF)

Part numbers marked with an asterisk (\*) are contained in Repair Kit No. 300571.

## SECTION B-B



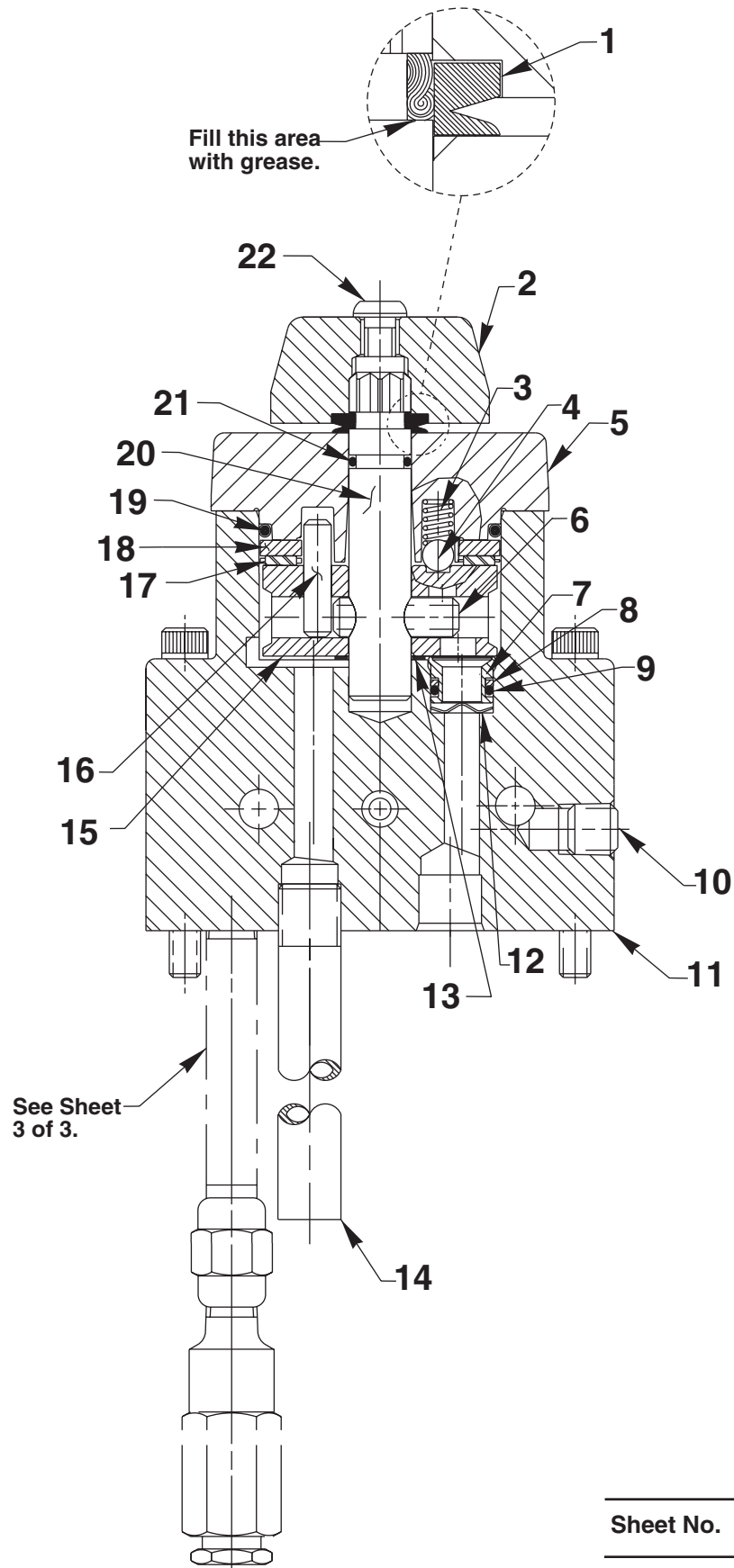
## SECTION D-D



Item No.	Part No.	No. Req'd	Description
1	214014	1	Plug Fitting (3/4-16 UNF; Note Discard rubber o-ring.)
2	*215193	1	O-ring (13/16 X 5/8 X 3/32; Nitrile)
	18999	1	O-ring (13/16 X 5/8 X 3/32; Viton)
	250157	1	O-ring (13/16 X 5/8 X 3/32; EPR)
3	214015	1	Piston
4	*12099	1	O-ring (9/32 X 5/32 X 1/16; Nitrile)
	18972	1	O-ring (9/32 X 5/32 X 1/16; Viton)
	250399	1	O-ring (9/32 X 5/32 X 1/16; EPR)
5	*207354	2	Backup Washer (9/32 X 5/32 X .048)
6	*14763	1	O-ring (7/16 X 5/16 X 1/16; Nitrile)
	18974	1	O-ring (7/16 X 5/16 X 1/16; Viton)
	13472	1	O-ring (7/16 X 5/16 X 1/16; EPR)
7	*14874	1	Copper Washer (.700 X 1/2 X 1/32)
8	250020	1	Poppet
9	307136	1	Valve Screw (Torque to 250/280 in. lbs.)
10	11024	1	Spring (1/4 O.D. X 5/8 Lg.)
11	250022	1	Spring (7/16 O.D. X 13/32 Lg.)
12	250021	1	Replaceable Seat
13	15130	4	Plug Fitting (1/16 NPTF)
14	253153	4	Washer, Special 1/4 Sealing
15	10266	4	O-ring (.37 x .25 Nitrile)

Part numbers marked with an asterisk (\*) are contained in Repair Kit No. 300571.

SECTION A-A

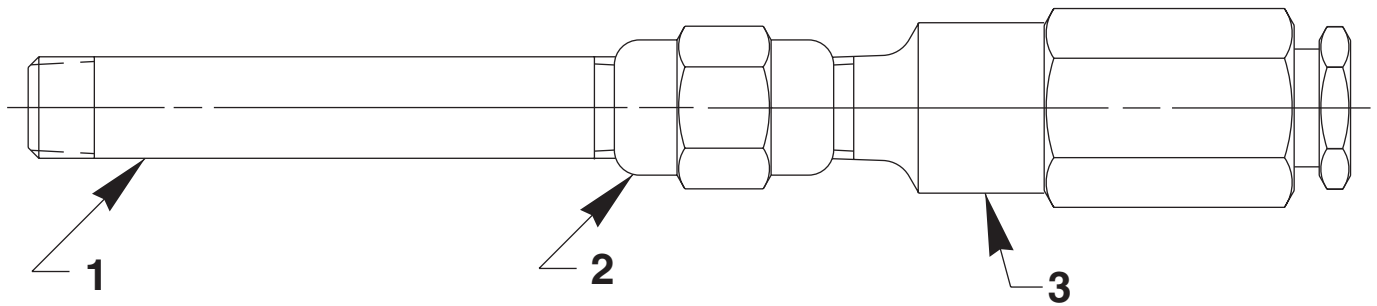


## Parts List, Form No. 101907, Back sheet 2 of 3

Item No.	Part No.	No. Req'd	Description
1	*213674	1	V-ring
2	46057	1	End Stem
3	15691	1	Spring (1/4 O.D. X 5/8 Lg.)
4	10375	1	Ball (1/4 Dia.)
5	61343	1	Valve Cap
6	10496	1	Slotted Spring Pin
7	252460	3	Seal
8	*11863	3	Backup Washer (1/2 X 3/8 X 1/16)
9	*10268	3	O-ring (1/2 X 3/8 X 1/16; Nitrile)
	11439	3	O-ring (1/2 X 3/8 X 1/16; Viton)
	17716	3	O-ring (1/2 X 3/8 X 1/16; EPR)
10	14972	1	Plug Fitting (1/4 NPTF)
11	65531	1	Valve Body
12	21975	3	Spring Washer
13	214801	1	Spacer Washer
14	200609	1	Drain Tube
15	421472	1	Rotor
16	250056	1	Slotted Spring Pin
17	11228	1	Needle Bearing
18	11227-1	1	Bearing Race
19	*15892	1	O-ring (1.956 X 1.720 X .118; Nitrile)
	19097	1	O-ring (1.956 X 1.720 X .118; Viton)
	212887	1	O-ring (1.956 X 1.720 X .118; EPR)
20	46048	1	Stem
21	*13943	1	O-ring (1/2 X 3/8 X 1/16; Disogren)
	11439	1	O-ring (1/2 X 3/8 X 1/16; Viton)
	17716	1	O-ring (1/2 X 3/8 X 1/16; EPR)
22	15911	1	Screw (Torque to 60/80 in. lbs. Note: Apply Loctite No. 222 or equivalent at assembly.)

Part numbers marked with an asterisk (\*) are contained in Repair Kit No. 300571.

**"B" PORT PRESSURE CONTROL SYSTEM**

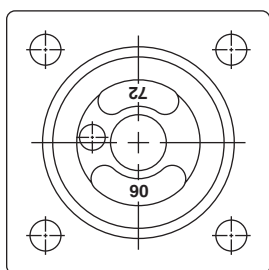


Set at 5800/6400 P.S.I.

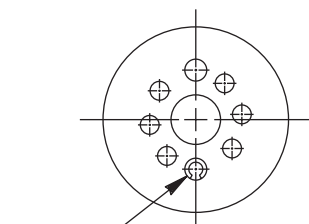
\* Note: These three parts assembled together and shipped loose.

Item No.	Part No.	No. Req'd	Description
1	12891-1	1	Straight Fitting
2	18841	1	Straight Fitting
3	21278-57	1	Relief Valve Assembly (Set at 5800/6400 PSI)

## INTERNAL ASSEMBLY ORIENTATION OF PARTS

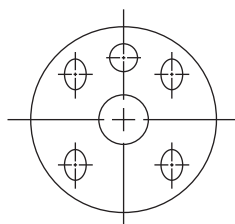


END CAP  
BOTTOM VIEW

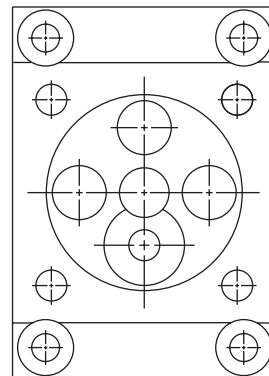


ROTOR  
TOP VIEW

ROLL PIN LOCATION  
(POSITION OPENING AS SHOWN)

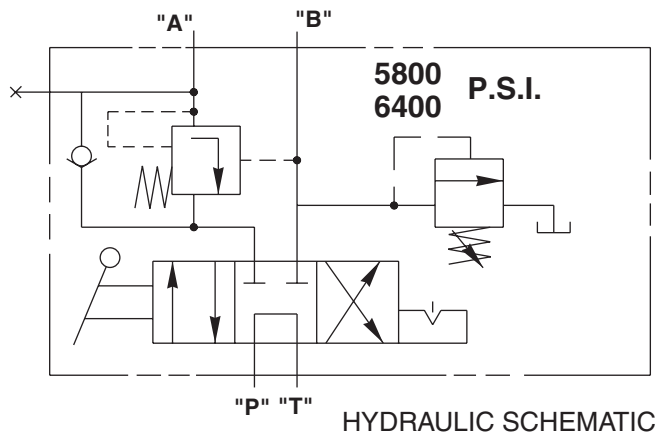


ROTOR  
BOTTOM VIEW



VALVE BODY  
TOP VIEW

## SPECIFICATIONS



HYDRAULIC SCHEMATIC

REPORT ERRORS TO ENGINEERING DEPARTMENT.  
FUNCTION:

CENTER POSITION:

"A" AND "B" PORTS BLOCKED, PRESSURE  
PORT TO TANK.

"A" POSITION:

PRESSURE TO "A" PORT, "B" PORT TO TANK.

"B" POSITION:

PRESSURE TO "B" PORT (CONTROLLED TO 6400  
P.S.I. MAX.) "A" PORT TO HOLD UNTIL PRESSURE  
RATIO IS OBTAINED AND THEN RELEASES TO TANK.

"A" PORT WILL REMAIN OPEN AS LONG AS "B"  
PORT MAINTAINS PRESSURE RATIO.

NOTE: "A" PORT IS BLOCKED WITH "B" AND "P"

PORTS OPEN TO TANK DURING  
TRANSITION BETWEEN VALVE POSITIONS.  
PRESSURE RATIO IS THE PRESSURE  
DIFFERENTIAL IN THE "A" AND "B" PORTS.

VALVE, PUMP MOUNTED MANUAL DETENTED  
3-POSITION, 4-WAY TANDEM CENTER WITH "B"  
PORT PRESSURE CONTROL AND RELEASE  
SYSTEM. (2.15 TO 1 RATIO REF.)

RATED PRESSURE: 10,000 P.S.I.

CASE PRESSURE; 500 P.S.I.

RATED FLOW: 5 G.P.M. (REF.)