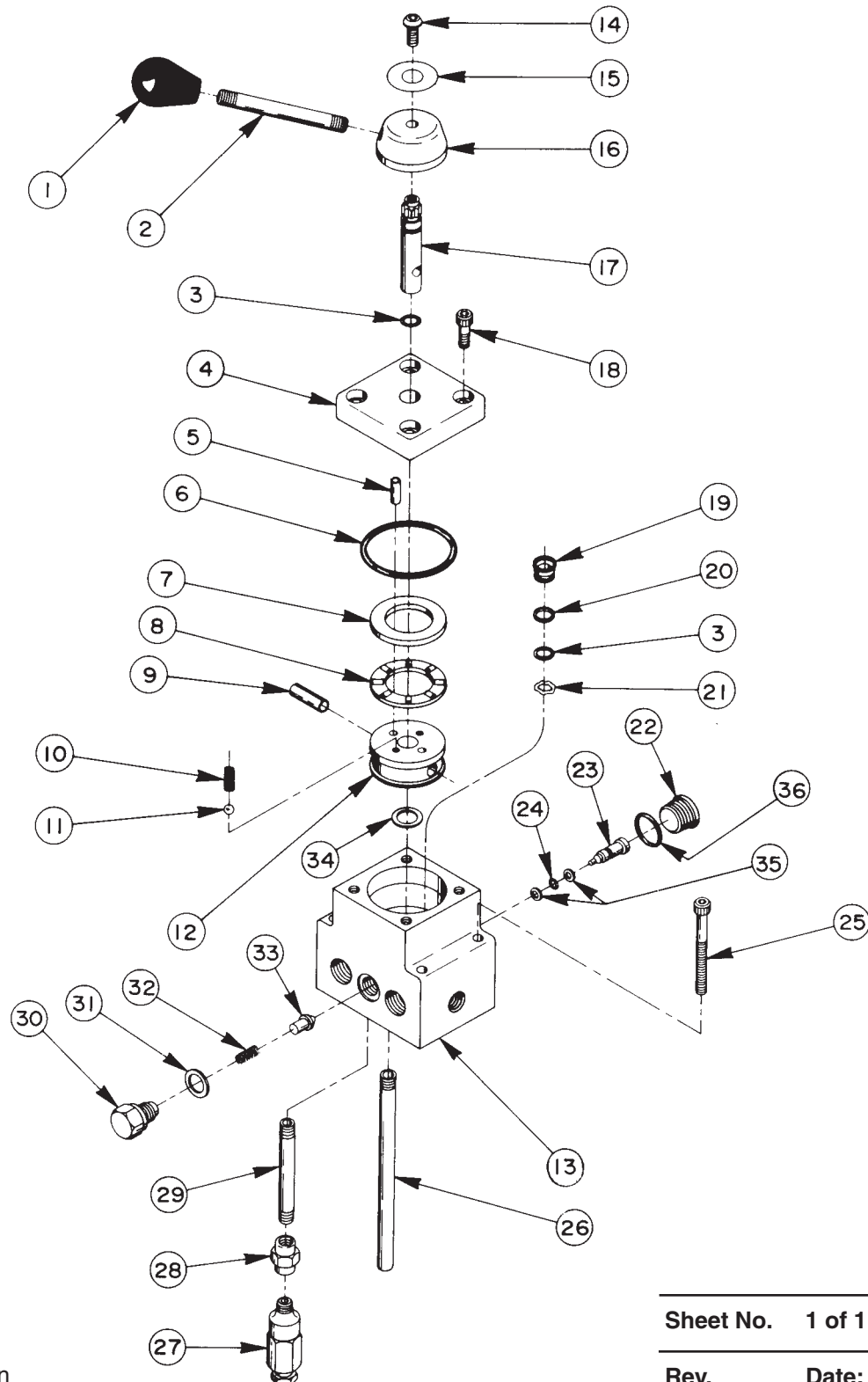


## VALVE ASSEMBLY



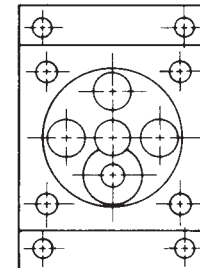
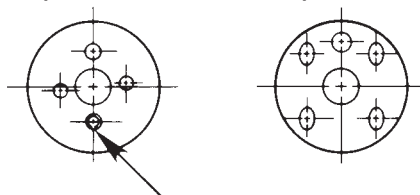
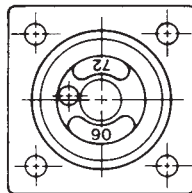
# Parts List, Form No. 100685, Back sheet 1 of 1

Item No.	Part No.	No. Req'd	Description	Item No.	Part No.	No. Req'd	Description
1	211911	1	Plastic Knob	20	*11863	3	Backup Washer (1/2 X 38 X 1/16, -012)
2	21639	1	Stud	21	21975	3	Spring Washer
3	*10268	4	O-ring (1/2 X 3/8 X 1/16, -012)	22	214014	1	Plug
4	61343	1	End Cap	23	214015	1	Piston
5	211915	1	Pin (7/32 Dia.)	24	*12099	1	O-ring (9/32 X 5/32 X 1/16, -007)
6	*15892	1	O-ring (1.72 X 1.5 X .118, -924)	25	10856	4	Cap Screw (1/4-20 X 2 1/2 Lg.)
7	11227-1	1	Thrust Bearing Washer	26	200609	1	Drain Tube
8	11228	1	Roller Thrust Bearing	27	21278-57	1	Relief Valve
9	16940	1	Roll Pin (5/16 Dia. X 1-1/2 Lg.)	28	18841	1	Straight Fitting
10	15691	1	Compression Spring (1/4 O.D. X 5/8 Lg.)	29	12891-1	1	Pipe Nipple
11	10375	1	Ball (1/4 Dia.)	30	307136	1	Valve Screw (Torque to 250/280 in. lbs.)
12	306032	1	Rotor	31	*14874	1	Copper Washer (1/2 Bolt)
13	61696	1	Valve Body	32	11024	1	Compression Spring (1/4 O.D. X 5/8 Lg.)
14	15911	1	Cap Screw (1/4-20 X 5/8 Lg.; Torque to 60/80 in. lbs.)	33	213096	1	Poppet
15	*211936	1	Decal	34	214801	1	Spacer
16	46057	1	Stem End	35	*207354	2	Backup Washer (.64 X .5 X .087, -908)
17	46048	1	Stem	36	*215193	1	O-ring (13/16 X 5/8 X 3/32, -114)
18	11013	4	Cap Screw (5/16-18 X 1" Lg.; Torque to 300/320 in. lbs.)				
19	202480	3	Shear Seal				

Part numbers marked with an asterisk (\*) are contained in Repair Kit No. 300493

## 9628

### PUMP MOUNTED MANUAL DETENTED 3-Position, 4-Way Tandem Center Valve With "B" Port Pressure Control and Release System. (2.15 to 1 Ration Ref.)



Position opening as shown

#### FUNCTION

##### Center Position:

"A" and "B" Ports blocked  
"Pressure" Port to tank

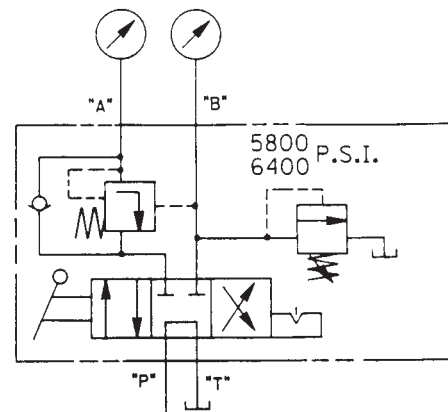
##### "A" Position:

Pressure to "A" Port  
"B" Port to tank

##### "B" Position:

Pressure to "B" Port (controlled to 6400 PSI max.) "A" Port to hold until pressure ratio is obtained and then releases to tank. "A" Port will remain open as long as "B" Port maintains pressure ratio.

**NOTE:** "A" Port is blocked with "B" and "P" Ports open to tank during transition between valve positions. Pressure ratio is the pressure differential in the "A" and "B" Ports.



Refer to any operating instructions included with this product for detailed information about operation, testing, disassembly, reassembly, and preventive maintenance.

Items found in this parts list have been carefully tested and selected. **Therefore: Use only genuine replacement parts!**

Additional questions can be directed to our Technical Services Department.