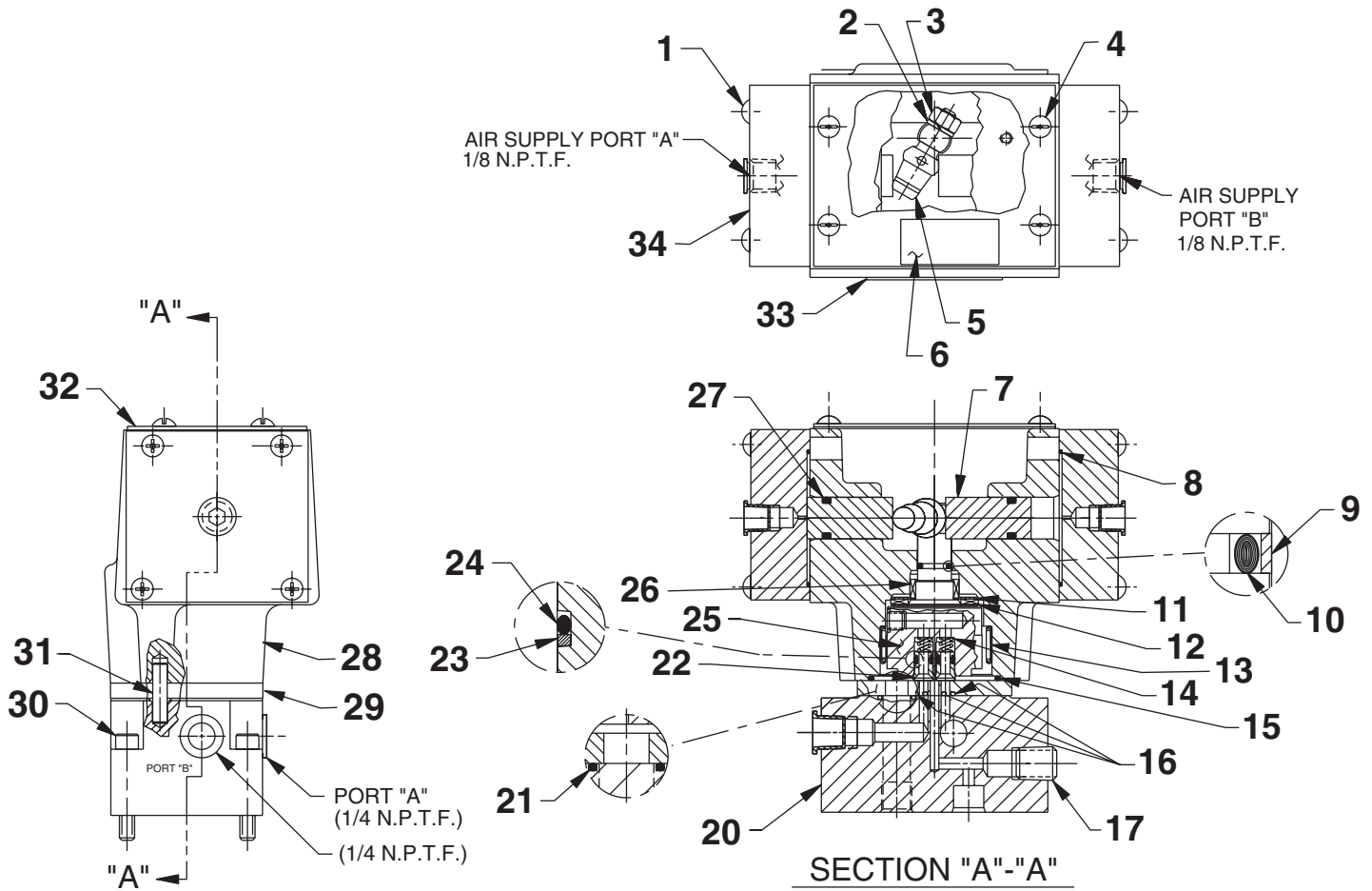


## MODEL B TWO POSITION, 4-WAY, PUMP-MOUNTED, AIR-OPERATED VALVE ASSEMBLY



Refer to any operating instructions included with the product for detailed information about operation, testing, disassembly, and preventive maintenance.

Items found in this parts list have been carefully tested and selected. **Therefore: Use only genuine Power Team replacement parts!**

Additional questions can be directed to our Technical Services Department.

# Parts List, Form No. 108068, Back sheet 1 of 1

| Item No. | Part No. | No. Req'd | Description  |
|----------|----------|-----------|--|
| 1        | *13025   | 8         | Rnd. Hd. Screw (8-32 x 1-1/4 Lg.; Torque to 12/14 in. lbs.)          |
| 2        | 10245    | 1         | Lockwasher (For 1/4" bolt)   |
| 3        | 15504    | 1         | Locknut  |
| 4        | 10164    | 4         | Machine Screw (#10-24 UNC x 3/8 Lg.)                                 |
| 5        | 304030   | 1         | Lever (Lubricate at assembly)  |
| 6        | 209383   | 1         | Patent Decal   |
| 7        | 208673   | 2         | Cam Plunger (Lubricate at assembly)                                  |
| 8        | *14852   | 2         | O-ring (1.56 x 1.37 Nitrile)   |
| 9        | *208672  | 1         | Glyd Ring  |
| 10       | *10268   | 1         | O-ring (1/2 x 3/8 x 1/16; Nitrile)                                   |
|          | 11439    | 1         | O-ring (1/2 x 3/8 x 1/16; Viton)                                     |
|          | 17716    | 1         | O-ring (1/2 x 3/8 x 1/16; EPR)                                       |
| 11       | 15935    | 2         | Thrust Washer  |
| 12       | 12188    | 1         | Roller Bearing   |
| 13       | 17505    | 1         | Needle Roller Bearing  |
| 14       | 15095    | 2         | Compression Spring (1/4 O.D. x 15/32 Lg.)                            |
| 15       | †*214699 | 1         | O-ring (2-3/16 x 2" x 3/32; Urethane)                                |
|          | 19017    | 1         | O-ring (Viton)   |
|          | 250400   | 1         | O-ring (EPR)   |
| 16       | †*15023  | 3         | O-ring (5/16 x 3/16 x 1/16; Urethane)                                |
|          | 11437    | 3         | O-ring (5/16 x 3/16 x 1/16; Viton)                                   |
|          | 17714    | 3         | O-ring (5/16 x 3/16 x 1/16; EPR)                                     |
| 17       | 10479    | 1         | Pipe Plug (1/4 NPTF)   |
| 18       | †252308  | 4         | Soc. Hd. Cap Screw (5/16-18 x 2-1/4 Lg.; Torque to 170/180 in. lbs.) |
| 19       | 15499    | 1         | Pipe Plug (1/8 NPTF; Turn in flush)                                  |

| Item No. | Part No. | No. Req'd | Description  |
|----------|----------|-----------|--|
| 20       | †66203   | 1         | Subplate   |
| 21       | †*16164  | 1         | O-ring (.63 x .50 Urethane)  |
|          | 11440    | 1         | O-ring (.63 x .50 Viton)   |
|          | 12399    | 1         | O-ring (.63 x .50 EPR)   |
| 22       | 303935   | 2         | Shear Seal   |
| 23       | *15174   | 2         | Backup Washer (5/16 x 3/16 x 3/64)   |
| 24       | *10265   | 2         | O-ring (5/16 x 3/16 x 1/16; Nitrile)   |
|          | 11437    | 2         | O-ring (5/16 x 3/16 x 1/16; Viton)   |
|          | 17714    | 2         | O-ring (5/16 x 3/16 x 1/16; EPR)   |
| 25       | 52064    | 1         | Rotor  |
| 26       | 208671   | 1         | Needle Roller Bearing  |
| 27       | *210230  | 2         | O-ring (2.18 x 2.00 Urethane)  |
| 28       | 61077    | 1         | Valve Body   |
| 29       | †421896  | 1         | Subplate   |
| 30       | 10022    | 4         | Soc. Hd. Machine Screw (1/4-20 UNC x 1-1/2 Lg.; Note When using this valve on a PE30 Series pump order (4) 12001 Screws for mounting valve to pump.) |
| 31       | †252309  | 1         | Spring Pin   |
| 32       | 303976   | 1         | Cover  |
| 33       | 352031   | 1         | Trade Name Decal (For 9594)  |
| 34       | 45209    | 1         | Air Cap  |

### PARTS INCLUDED BUT NOT SHOWN

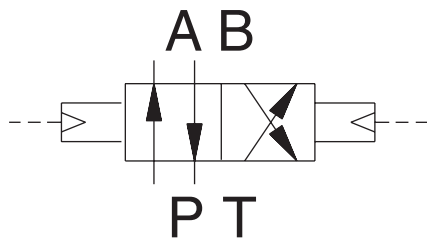
|        |   |                   |            |
|--------|---|-------------------|------------|
| 9689   | 1 | Straight Fitting  | } For 9594 |
| 16797  | 1 | 90° Elbow Fitting |            |
| 200609 | 1 | Drain Tube        |            |

Part numbers marked with an asterisk (\*) are contained in Repair Kit No. 300332.

**NOTE: Part numbers marked with a dagger (†) are in Conversion Kit No. 301023.**

**This kit converts a Model A valve to a Model B.**

## SPECIFICATIONS



UNIT SCHEMATIC

2-POSITION, 4-WAY  
AIR OPERATED (65 PSI MIN. / 150 PSI MAX.)  
PUMP MOUNTED

RATED PRESSURE = 10,000 P.S.I.  
RATED CASE PRESSURE = 1,000 P.S.I.  
RATED FLOW = 5 G.P.M.

FUNCTION:

"A" POSITION: (AIR PORT "A")  
HYD. PRESSURE TO "A" PORT,  
"B" PORT TO TANK.

"B" POSITION: (AIR PORT "B")  
HYD. PRESSURE TO "B" PORT,  
"A" PORT TO TANK.

NOTE:

ALL PORTS OPEN TO TANK DURING  
TRANSITION BETWEEN VALVE POSITIONS.

Note: Shaded areas reflect last revision(s) made to this form.