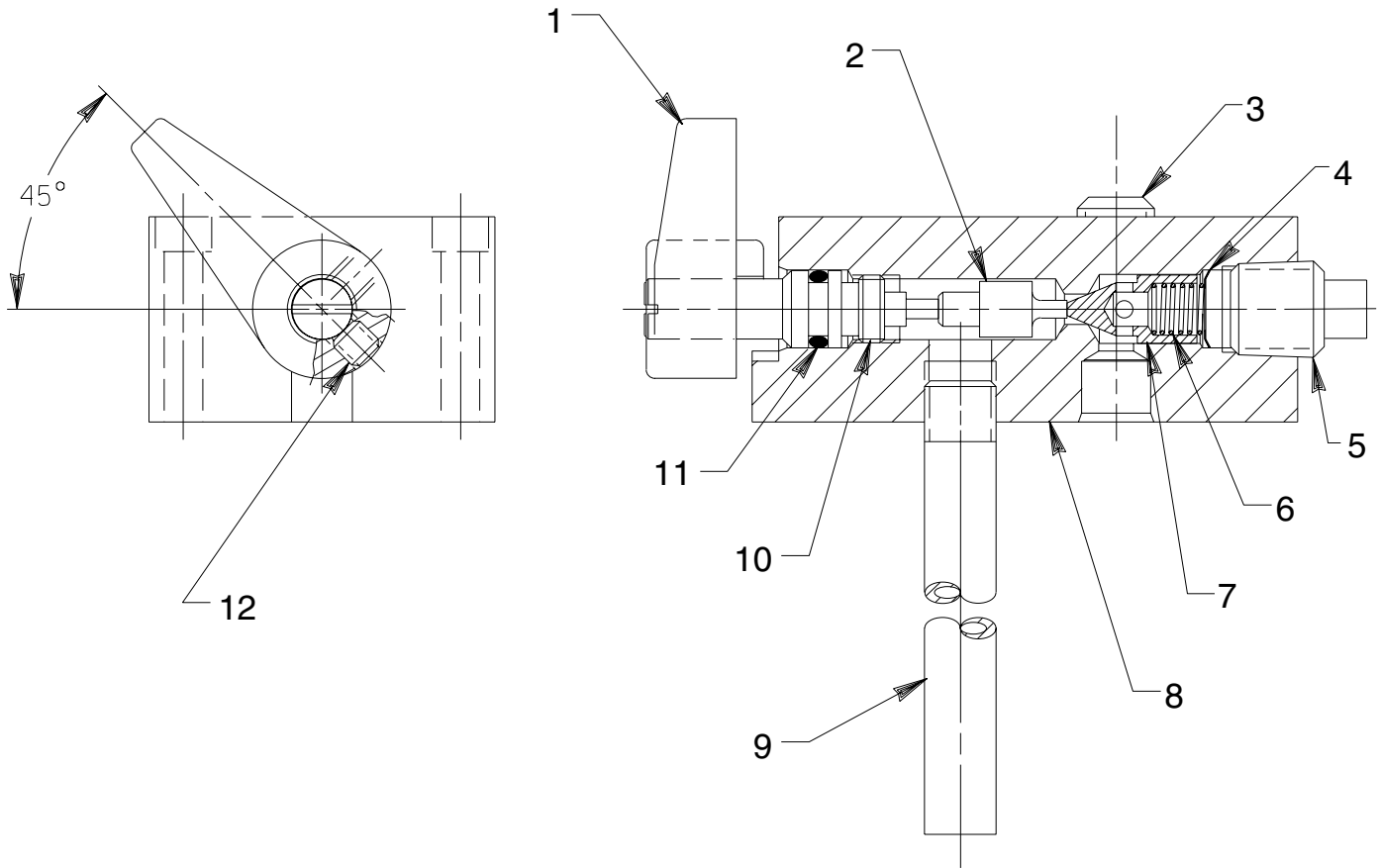


## MODEL B TWO POSITION, SINGLE-ACTING VALVE ASSEMBLY Max. Capacity: 10,000 PSI



Item No.	Part No.	No. Req'd	Description
1	21643	1	Relief Valve Handle
2	21692	1	Actuating Pin
3	10479	1	Pipe Plug (1/4 NPT)
4	11088	1	Retaining Ring
5	11127	1	Plastic Plug (3/8 NPTF)
6	10425	1	Compression Spring
7	20771	1	Poppet
8	58166	1	Valve Body
9	202781	1	Drain Tube
10	21685	1	Relief Valve Screw

Item No.	Part No.	No. Req'd	Description
11	10269	1	O-ring (9/16 x 3/8 x 3/32; Nitrile)
	18996	1	O-ring (9/16 x 3/8 x 3/32, -11; Viton)
	12416	1	O-ring (9/16 x 3/8 x 3/32; EPR)
12	10556	2	Soc. Set Screw

### PARTS INCLUDED BUT NOT SHOWN

10022 4 Soc. Hd. Cap Screw (1/4-20 x 1-1/2 Lg.; Torque to 30/50 in. lbs.)

Note: When using this valve on a PE30 Series pump order (4) 12001 Screws for mounting valve to pump.

Note: Shaded areas reflect last revision(s) made to this form.

Sheet No. 1 of 1

Rev. 1 Date: 14 Feb. 1997

## ASSEMBLY INSTRUCTIONS

- Turn #21685 Relief Valve Screw (Item #10) into #58166 Valve Body (Item #8) until #21685 Relief Valve Screw (Item #10), #21692 Actuating Pin (Item #2), and #20771 Poppet (Item #7) just meet.

**NOTE: #20771 Poppet (Item #7) must be seated.**

- Assemble #21643 Relief Valve Handle (Item #1) to #21685 Relief Valve Screw (Item #10) at 45° angle and lock in place with #10556 Set Screws (Item #12).

## SPECIFICATIONS

A sub-plate mounted, manually-operated, two position, 3-way valve. The valve has an "advance" and "return" position and is intended for use in circuits employing a single-acting cylinder. A 45° elbow fitting and pressure gauge can be attached if required.

Port Sizes: 3/8" NPTF

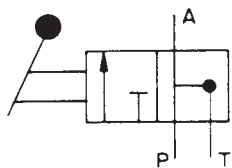
Max. Pressure: 10,000 PSI

Max. Recommended Flow: 5 GPM

### VALVE OPERATION

**Advance Position** - Valve is closed and oil is delivered to the system through port "A."

**Return Position** - Valve is open, pressure is released and oil returns to reservoir.



J.I.C. SYMBOL

