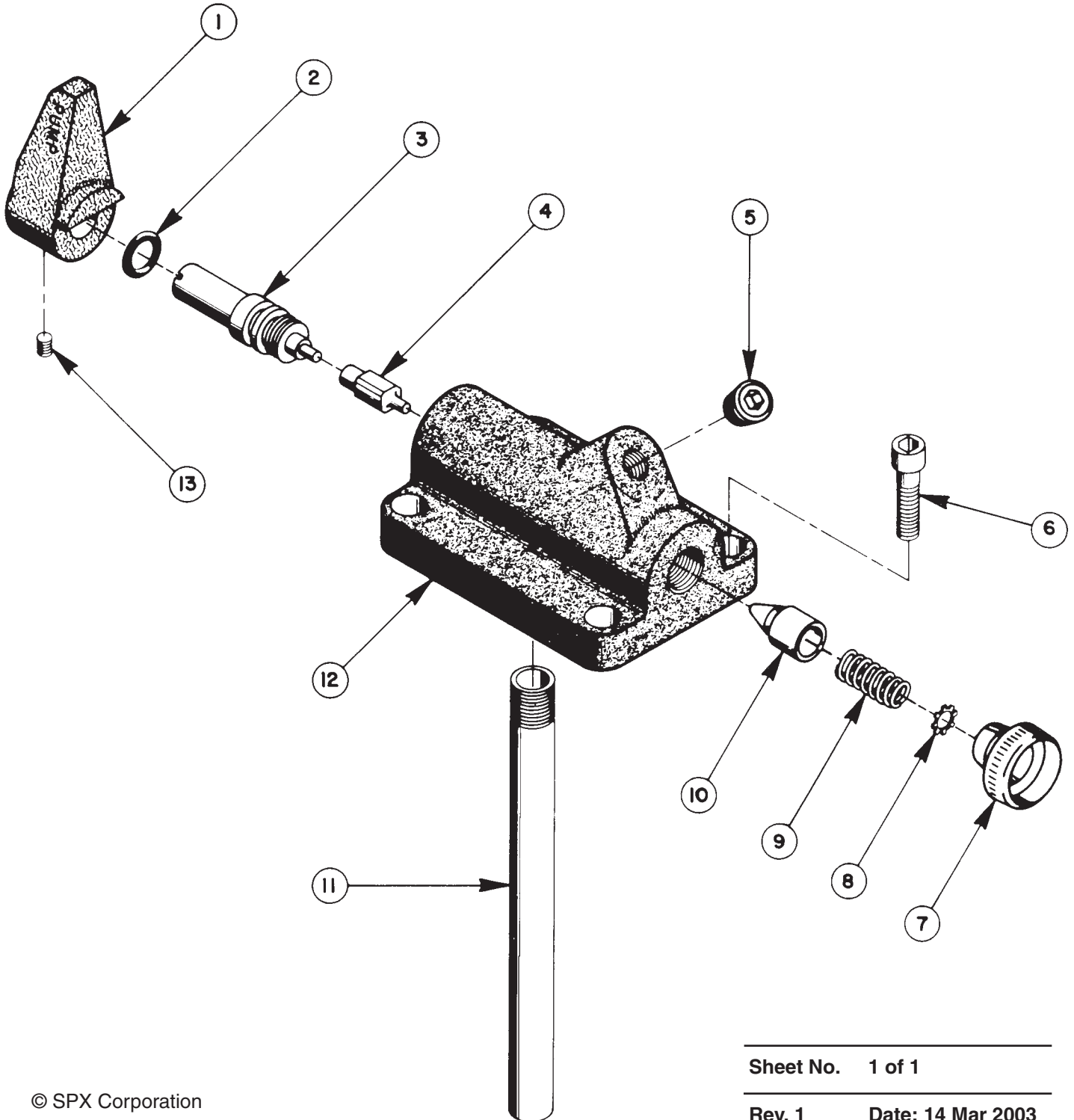


**2-WAY MANUAL – SINGLE-ACTING
VALVE ASSEMBLY**
Maximum Capacity: 10,000 PSI



Item No.	Part No.	No. Req'd	Description
1	21643	1	Release Valve Handle
2	10269	1	O-ring (9/16 X 3/8 X 3/32)
3	21685	1	Release Valve Screw
4	21692	1	Actuating Pin
5	10479	1	Pipe Plug (1/4 NPTF)
6	10008	4	Soc. Hd. Cap Screw (1/4 - 20 X 3/4 Lg.)
7	11036	1	Aluminum Plug
8	11088	1	Retaining Ring
9	10425	1	Compression Spring
10	20771	1	Poppet
11	202781	1	Drain Line
12	30725	1	Valve Body
13	10556	1	Socket Set Screw

SPECIFICATIONS

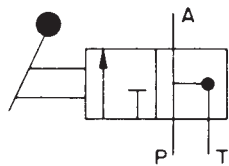
A sub-plate mounted, manually-operated, 2-position, 3-way valve. The valve has an "advance" and "return" position and is intended for use in circuits employing a single-acting cylinder. A pressure gauge can be attached if required.

PORT SIZES: 3/4" NPTF
 MAXIMUM PRESSURE: 10,000 PSI
 MAXIMUM RECOMMENDED FLOW: 5 GPM

VALVE OPERATION –

Advance Position – Valve is closed and oil is delivered to the system thru port "A".

Return Position – Valve is open, pressure is released and oil returns to reservoir.



J.I.C. SYMBOL

