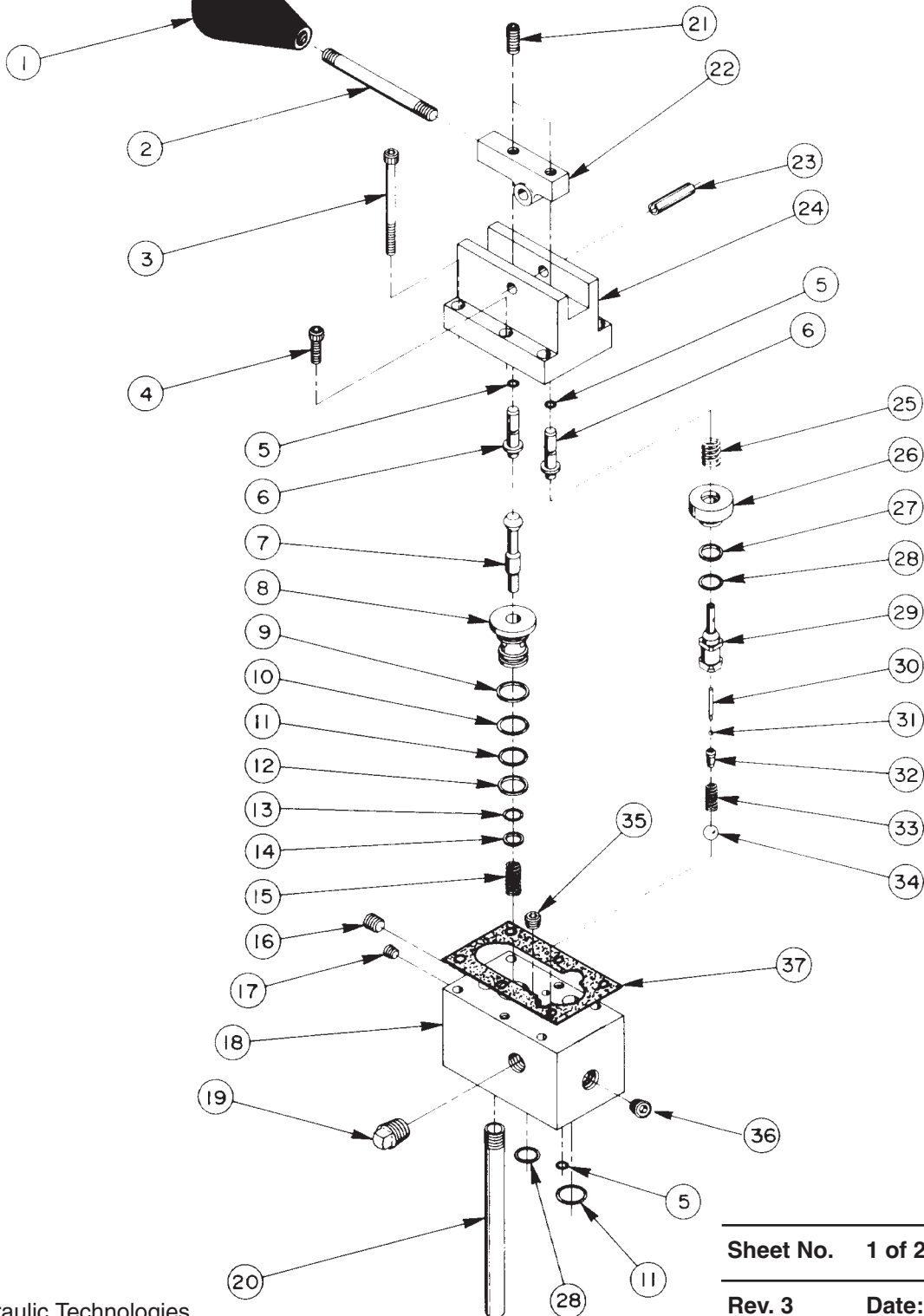


Parts List for:

9576
41824
V33M
Y-41824

**3 POSITION, 3-WAY MANUAL OPERATED - PUMP MOUNTED
DIRECTIONAL VALVE**

Max. Capacity: 10,000 PSI



Parts List, Form No. 100545, Back sheet 1 of 2

Item No.	Part No.	No. Req'd	Description	Item No.	Part No.	No. Req'd	Description
1	10731	1	Knob	18	50724	1	Valve Body
2	21639	1	Stud	19	13273	1	Pipe Plug (3/8 NPTF)
3	11956	4	Soc. Hd. Cap Screw (1/4-20 X 3" Lg.; Torque to 70/80 in. lbs.; Note: When using this valve on a PE30 Series pump order (4) 17428 Screws for mounting valve to pump.)	20	200609	1	Drain Tube
4	10008	2	Soc. Hd. Cap Screw (1/4-20 X 3/4 Lg.; Torque to 110/120 in. lbs.)	21	15647	2	Set Screw (5/16-18 X 3/4 Lg.)
5	10265	3	O-ring (5/16 X 3/16 X 1/16, -008; Nitrile)	22	35485	1	Arm
	11437	3	O-ring (5/16 X 3/16 X 1/16, -008; Viton)	23	11538	1	Roll Pin (Locate with slot up as shown)
	17714	3	O-ring (5/16 X 3/16 X 1/16, -008; EPR)	24	50737	1	Top Cap
6	200674	2	Plunger	25	11195	1	Compression Spring (1/2 O.D. X 3/4 Lg.)
7	200542	1	Poppet Half	26	200607	1	Check Seat
8	35435	1	Bushing	27	12390	1	Backup Washer (5/8 X 1/2 X 3/64, -014)
9	16202	1	Backup Washer (13/16 X 11/16 X .048, -017)	28	10301	2	O-ring (5/8 X 1/2 X 1/16, -014; Nitrile)
10	12549	1	O-ring (-017; Nitrile)		11440	2	O-ring (5/8 X 1/2 X 1/16, -014; Viton)
	19525	1	O-ring (-017; Viton)		12399	2	O-ring (5/8 X 1/2 X 1/16, -014; EPR)
	250195	1	O-ring (-017; EPR)	29	35432	1	Check Poppet
11	10302	2	O-ring (3/4 X 5/8 X 1/16, -016; Nitrile)	30	15606	1	Dowel Pin (NOTE: Larger chamfer to be towards ball)
	11442	2	O-ring (3/4 X 5/8 X 1/16, -016; Viton)	31	14443	1	Steel Ball (3/32 Dia.)
	12400	2	O-ring (3/4 X 5/8 X 1/16, -016; EPR)	32	200602	1	Ball Stop
12	12392	1	Backup Washer (3/4 X 5/8 X 1/16, -016)	33	10361	1	Compression Spring
13	10268	2	O-ring (1/2 X 3/8 X 1/16, -012; Nitrile)	34	10378	1	Steel Ball (3/8 Dia.)
	11439	2	O-ring (1/2 X 3/8 X 1/16, -012; Viton)	35	15499	1	Pipe Plug (1/8 NPTF)
	17716	2	O-ring (1/2 X 3/8 X 1/16, -012; EPR)	36	10479	1	Pipe Plug (1/4 NPTF)
14	11863	2	Backup Washer (1/2 X 3/8 X 1/16, -012)	37	35544	1	Gasket Valve
15	14484	1	Compression Spring (3/8 O.D. X 1" Lg.)	38	10006	2	Soc. Hd. Cap Screw (1/4-20 X 5/8 Lg.)
16	10427	1	Pipe Plug (1/8 NPTF)	PARTS INCLUDED BUT NOT SHOWN			
17	11084	1	Pipe Plug (1/16 NPTF)	203523	1	Patent Decal	
				208411	1	Decal (For 9576)	
				203606	1	Trade Name Decal (For V33M)	

Note: Alternate material seals listed for special valves factory equipped with viton or EPR seals.

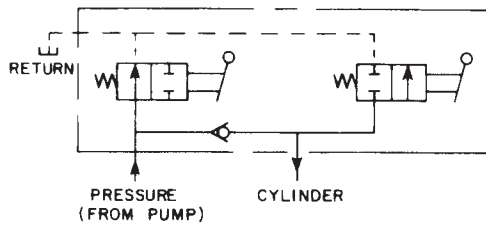
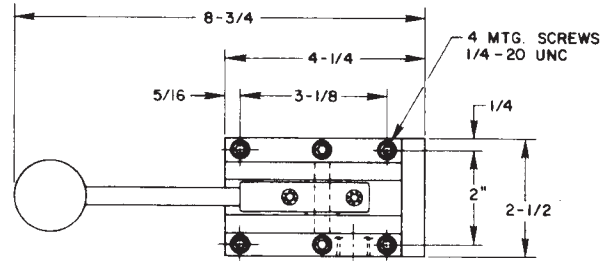
SPECIFICATIONS

OPERATION

ADVANCE: When lever is pushed down, oil is directed to cylinder thru pressure port.

HOLD: When lever is in neutral position, oil from pump is directed back to tank & oil from cylinder is checked in the cylinder.

RETURN: When lever is lifted up, oil from the pump & from the cylinder is directed back to tank.



HYDRAULIC SCHEMATIC

