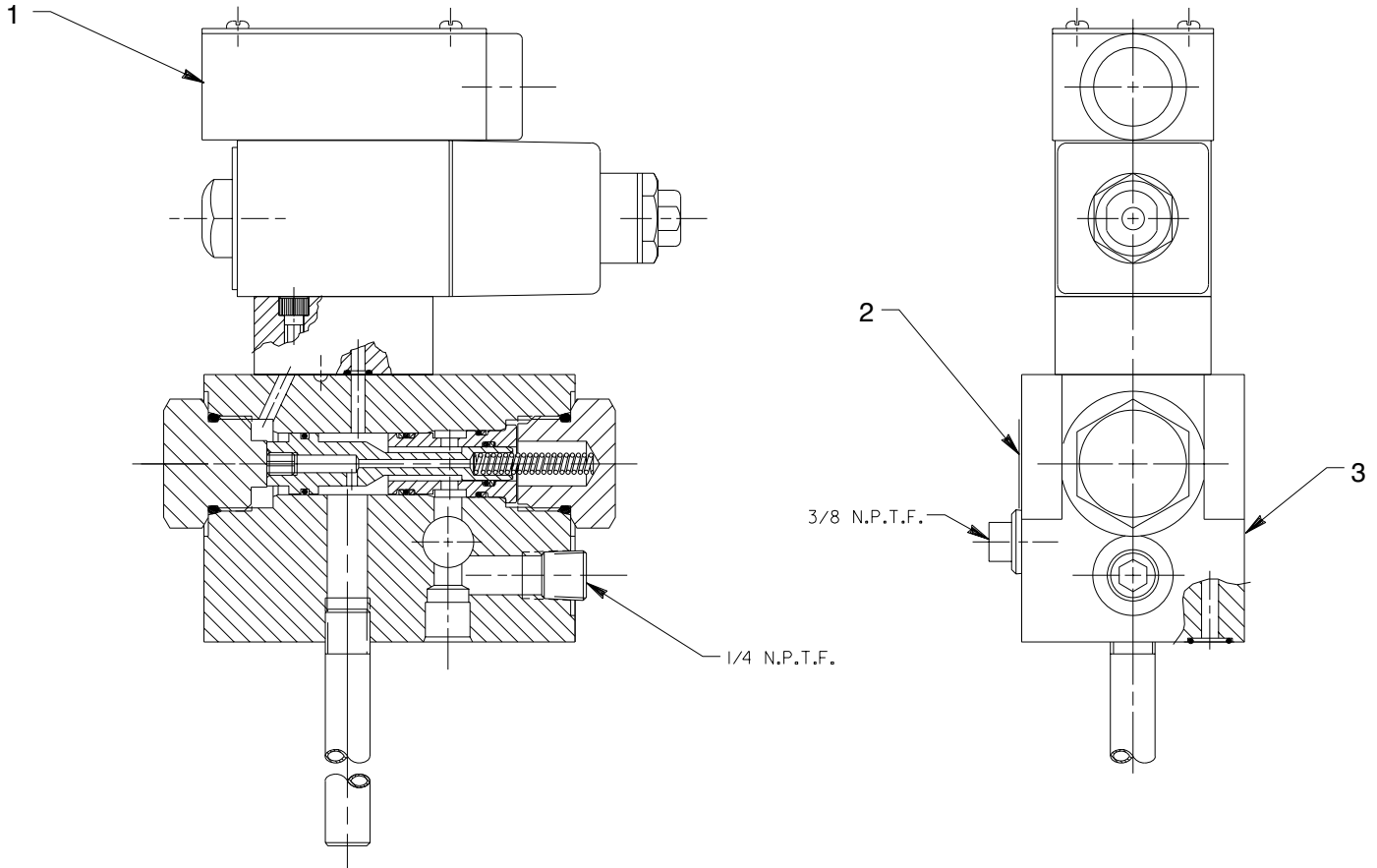


Parts List for:

9523
9553
9589

MODEL B TWO-POSITION, SOLENOID CONTROLLED, PILOT OPERATED DIRECTIONAL VALVE ASSEMBLY

Max. Capacity: 10,000 PSI

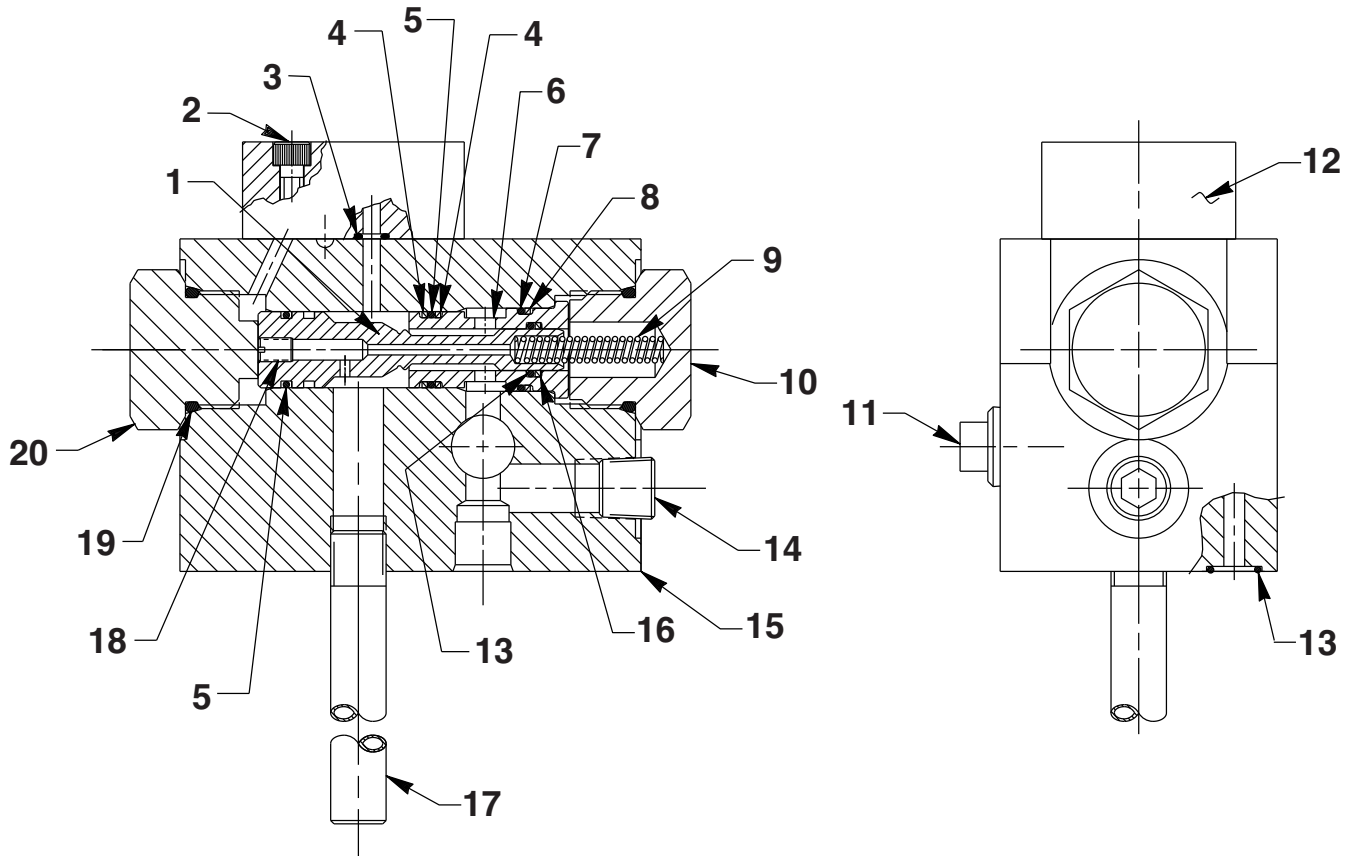


Item No.	Part No.	No. Req'd	Description
1	17890-1	1	Solenoid (110/115 Volt AC; 50/60 Hz.)
2	250302	1	Decal (for 9589)
	252262	1	Decal (for 9523)
	252263	1	Decal (for 9553)
3	420088	1	Basic Valve Assembly (See back pg. 1 of 3)

PARTS INCLUDED BUT NOT SHOWN

22747 1 Accumulator Assembly (See back pg. 2 of 3)

BASIC VALVE ASSEMBLY



Item No.	Part No.	No. Req'd	Description
1	351909	1	Poppet
2	12102	4	Soc. Hd. Cap Screw (#10-24 UNC x 3/4 Lg.)
3	*10265	4	O-ring (5/16 x 3/16 x 1/16)
4	*12391	2	Teflon Backup Washer (11/16 x 9/16 x 1/16)
5	*11284	2	O-ring (11/16 x 9/16 x 1/16)
6	22068	1	Bushing
7	*10302	1	O-ring (3/4 x 5/8 x 1/16)
8	*12392	1	Teflon Backup Washer (3/4 x 5/8 x 1/16)
9	*12347	1	Compression Spring
10	214946	1	O-ring Plug
11	11127	1	Pressure Plug (3/8 NPTF)
12	42934	1	Port Plate
13	*10268	2	O-ring (1/2 x 3/8 x 1/16)
14	10479	1	Hex Plug (1/4 NPTF)
15	64093	1	Valve Body
16	*11863	1	Teflon Backup Washer (1/2 x 3/8 x 1/16)
17	200609	1	Drain Tube
18	214989	1	Check Screw (Apply Loctite No. 277)
19	*12745	1	O-ring (1-5/32 x 59/64 x 7/64)
20	350164	1	O-ring Boss Plug

PARTS INCLUDED BUT NOT SHOWN

12001	4	Soc. Hd. Cap Screw (Note: When using this valve on a PE30 Series pump order (4) 10855 Screws to mount valve to pump.
-------	---	--

Part numbers marked with an asterisk (*) are contained in Repair Kit No. 300607.

SPECIFICATIONS

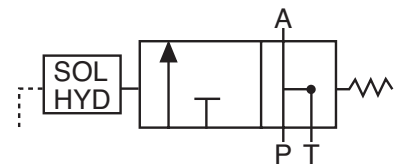
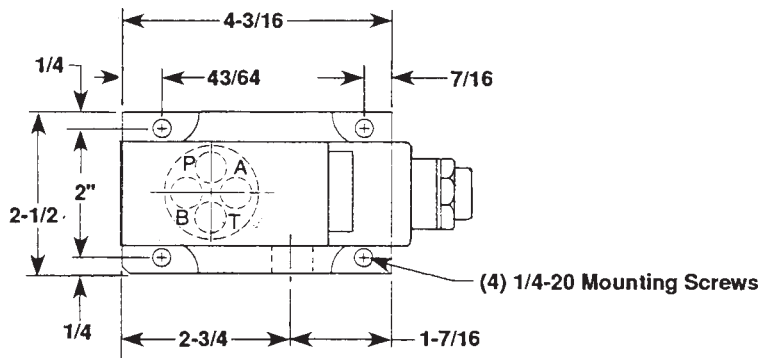
A pump-mounted, solenoid-controlled, pilot-operated, two-position, 3-way valve for use on hydraulic power units. This valve is intended for use with single-acting cylinders and provides the possibility of remote acutation. A connection is provided on the valve body for a pressure switch and/or gauge.

PORT SIZES: 3/8" NPTF
 MAXIMUM PRESSURE: 10,000 PSI
 MAX. RECOMMENDED FLOW: 5 GPM

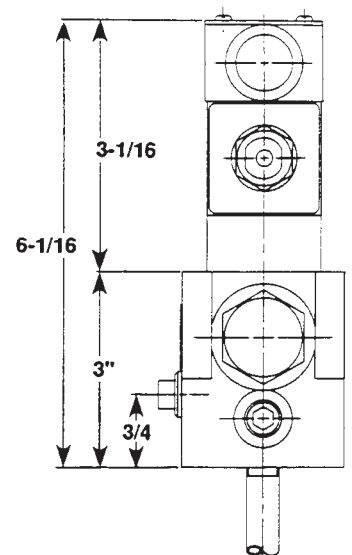
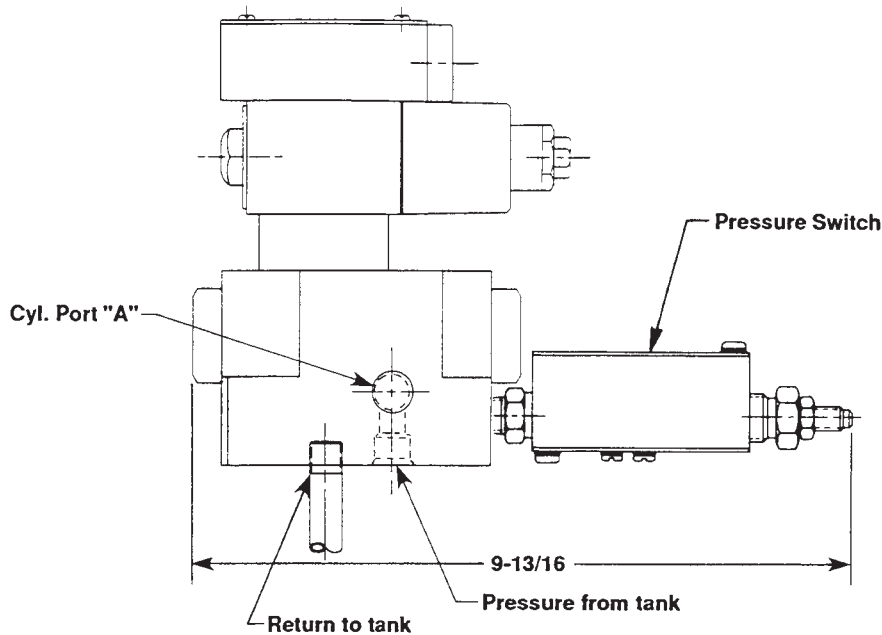
OPERATION

Solenoid Energized: Pilot oil closes valve. Pressure to cylinder port "A". Tank blocked.

Solenoid De-energized: Valve opens. Pressure to tank. Cylinder port "A" returns to tank.

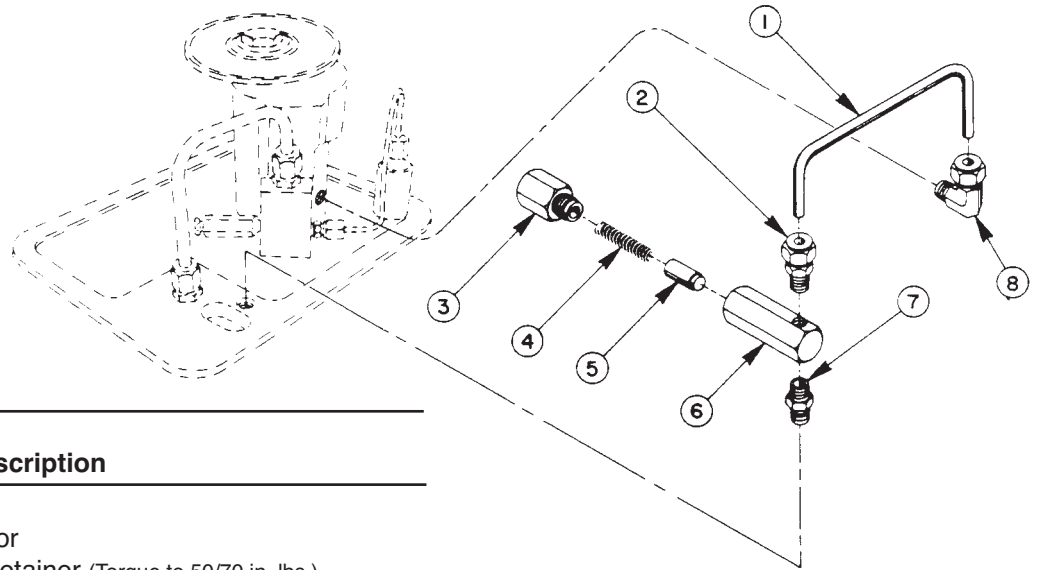


HYDRAULIC SCHEMATIC



PILOT OIL LINE/ ACCUMULATOR ASSEMBLIES

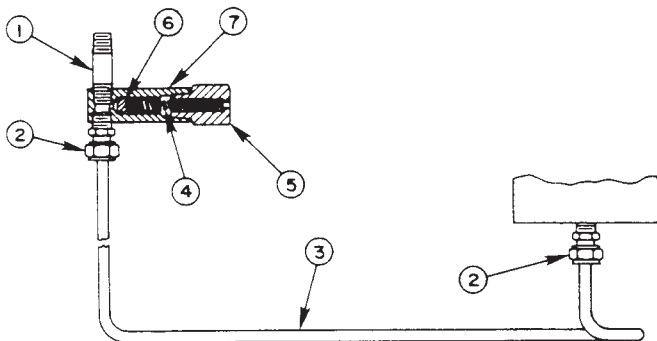
**STANDARD
(FOR USE WITH Y26, Y60, Y70, PE55, PE90 & PE120 SERIES PUMPS)**



Item No.	Part No.	No. Req'd	Description
1	22746	1	Oil Line
2	11173	1	Connector
3	202121	1	Spring Retainer (Torque to 50/70 in. lbs.)
4	16499	1	Compression Spring
5	21945	1	Plunger
6	21944	1	Cylinder Body
7	11421	1	Pipe Nipple
8	11278	1	Connector
	22747	1	Pilot Oil Line/Accumulator Ass'y. (Consists of items 1 thru 8)
	21943	1	Accumulator Ass'y. (Consists of items 3, 4, 5 & 6)

NOTE: #22747 is the standard Pilot Oil Line/Accumulator Assembly that is supplied with these valves. For various Pilot Oil Line/Accumulator Assemblies to be used with other pump units, see the following illustrations.

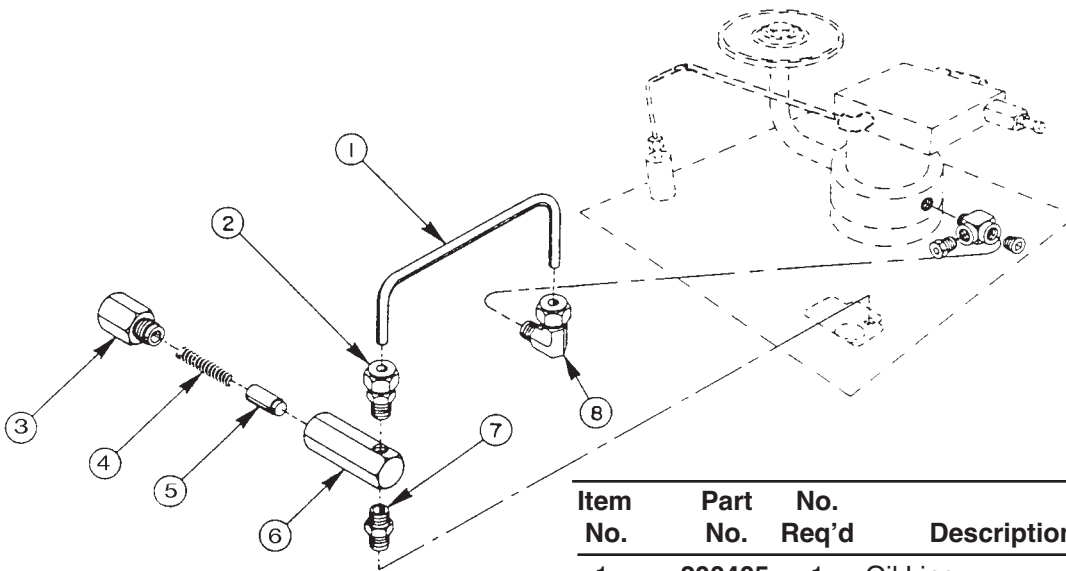
OPTIONAL (FOR USE WITH PE200 & PE400 SERIES PUMPS)



Item No.	Part No.	No. Req'd	Description
1	11530	1	Nipple
2	15061	2	Connector
3	44303	1	Oil Line
4	16499	1	Compression Spring
5	202121	1	Spring Retainer (Torque to 50/70 in. lbs.)
6	21945	1	Plunger
7	21944	1	Cylinder Body
	21943	1	Accumulator Ass'y. (Consists of items 4, 5, 6 & 7)

NOTE: The above parts are not included with this valve but are an option.

**OPTIONAL
(FOR USE WITH PQ60 & PQ120 SERIES PUMPS)**

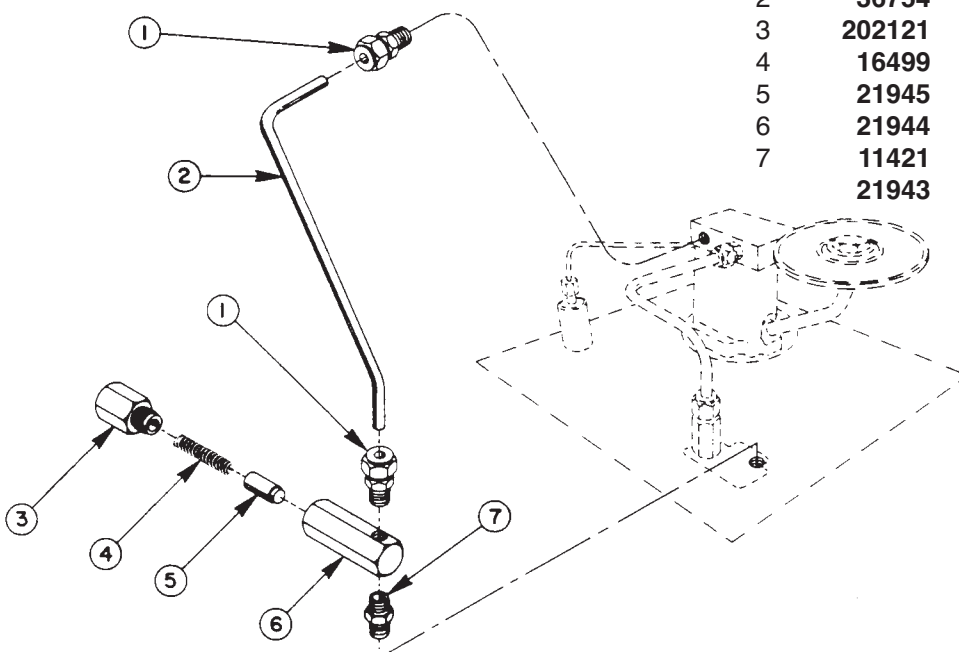


NOTE: These parts are not included with this valve but are an option.

Item No.	Part No.	No. Req'd	Description
1	200405	1	Oil Line
2	11173	1	Connector
3	202121	1	Spring Retainer (Torque to 50/70 in. lbs.)
4	16499	1	Compression Spring
5	21945	1	Plunger
6	21944	1	Cylinder Body
7	11421	1	Pipe Nipple
8	11278	1	Connector
	21943	1	Accumulator Ass'y. (Consists of items 3, 4, 5 & 6)

**OPTIONAL
(FOR USE WITH PQ20 SERIES PUMPS)**

Item No.	Part No.	No. Req'd	Description
1	11173	2	Connector
2	36754	1	Oil Line
3	202121	1	Spring Retainer (Torque to 50/70 in. lbs.)
4	16499	1	Compression Spring
5	21945	1	Plunger
6	21944	1	Cylinder Body
7	11421	1	Pipe Nipple
	21943	1	Accumulator Ass'y. (Consists of items 3, 4, 5 & 6)



NOTE: The above parts are not included with this valve but are an option.