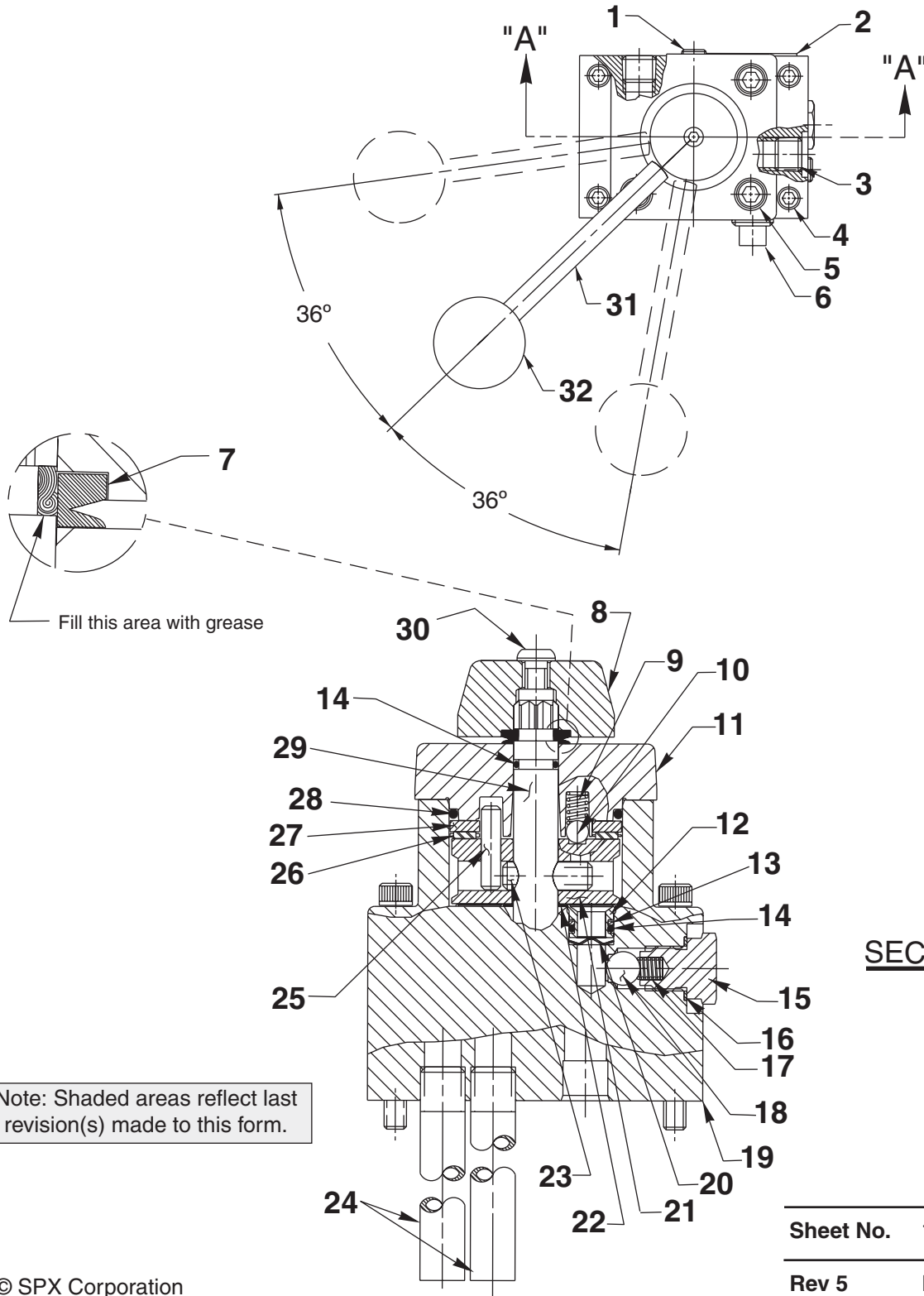


**THREE POSITION, 3-WAY
MANUAL VALVE ASSEMBLY**



SECTION A-A

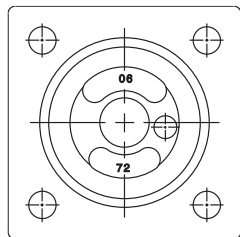
Note: Shaded areas reflect last revision(s) made to this form.

Parts List, Form No. 101377, Back sheet 1 of 1

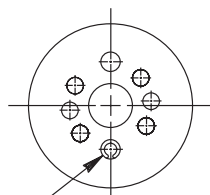
Item No.	Part No.	No. Req'd	Description	Item No.	Part No.	No. Req'd	Description
1	15130	2	Plug (1/16 NPTF)	17	10444	1	Compression Spring (3/16 I.D. X 13/32 Lg.)
2	209383	1	Decal	18	10378	1	Steel Ball (3/8 dia.)
3	14972	2	Pipe Plug (1/4 NPTF)	19	64572	1	Valve Body
4	10856	4	Cap Screw (1/4-20 UNC X 2-1/2 Lg.) Note: When using this valve on a PE30 Series pump order (4) 11956 Cap Screws for mounting valve to pump.	20	21975	4	Spring Washer
5	11013	4	Cap Screw (5/16-18 X 1" Lg.; Torque to 300/325 in. lbs.)	21	46086	1	Rotor
6	11127	1	Pressure Plug (3/8 NPTF)	22	214801	1	Spacer Washer
7	*213674	1	V-ring	23	10496	1	Pin
8	46057	1	End Stem	24	200609	2	Drain Tube
9	15095	1	Compression Spring	25	250056	1	Pin
10	10375	1	Steel Ball (1/4 dia.)	26	11228	1	Thrust Bearing
11	61343	1	Valve Cap	27	11227-1	1	Bearing Race
12	251563	4	Seal	28	*15892	1	O-ring (1.956 X 1.720 X .118; Nitrile)
	252460	4	Seal (For 9520-MHI only)		19097	1	O-ring (1.956 X 1.720 X .118; Viton)
13	*11863	4	Teflon Backup Washer (1/2 X 3/8 X 1/16)		212887	1	O-ring (1.956 X 1.720 X .118; EPR)
14	*10268	5	O-ring (1/2 X 3/8 X 1/16; Nitrile)	29	46048	1	Stem
	11439	5	O-ring (1/2 X 3/8 X 1/16; Viton)	30	15911	1	Cap Screw (1/4-20 X 5/8 Lg.; Torque to 60/80 in. lbs. Note: Apply Loctite No. 222 or equiv. at assembly)
	17716	5	O-ring (1/2 X 3/8 X 1/16; EPR)	31	250042	1	Stud
15	305975	1	Valve Screw (Torque to 30/35 ft. lbs.)	32	211911	1	Plastic Knob
16	*14874	1	Soft Copper Washer (.700 X 1/2 X 1/32)				

Part numbers marked with an asterisk (*) are contained in Repair Kit No. 300451.
Note: Alternate material seals listed for special valves factory equipped with viton or EPR seals.

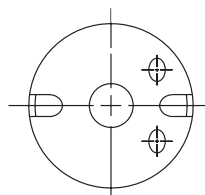
SPECIFICATIONS



END CAP
BOTTOM VIEW

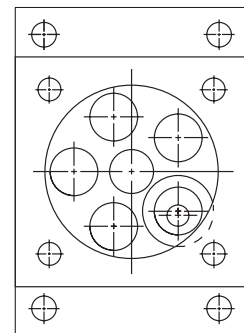


ROTOR
TOP VIEW



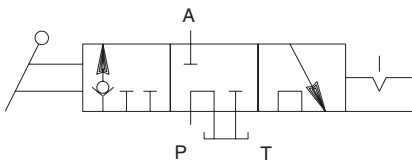
ROTOR
BOTTOM VIEW

ROLL P N LOCATION
POSITION OPENING AS SHOWN



VALVE BODY
TOP VIEW

INTERNAL ASSEMBLY ORIENTATION OF PARTS



HYDRAULIC SCHEMATIC

Pump-mounted, manual (posi-check), detented, three position, 3-way, tandem center, dual return valve.

Rated Pressure: 10,000 PSI
Case Pressure: 500 PSI Max.
Rated Flow: 5 GPM

Function:

Center Position:

"A" port blocked
"Pressure" port to tank

"A" Position:

Pressure to "A" port
Tank port blocked

Release Position:

Pressure to tank (independent return)
"A" port to tank (independent return)

Note: "A" port blocked with the pressure port open tank during transition between valve positions. (non-interflow)

Note: Shaded areas reflect last revision(s) made to this form.