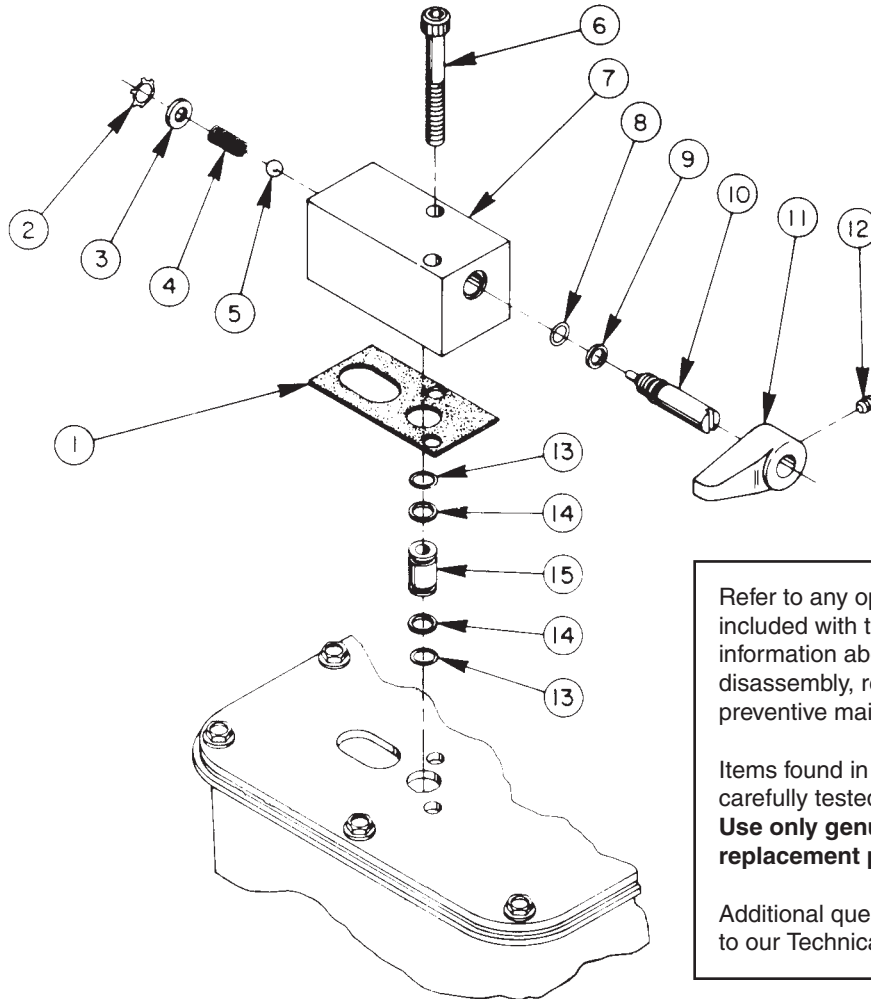


MANUAL TWO POSITION, 2-WAY VALVE ASSEMBLY



Refer to any operating instructions included with this product for detailed information about operation, testing, disassembly, reassembly, and preventive maintenance.

Items found in this parts list have been carefully tested and selected. **Therefore: Use only genuine Power Team replacement parts!**

Additional questions can be directed to our Technical Services Department.

Item No.	Part No.	No. Req'd	Description
1	304829	1	Gasket
2	11088	1	Retaining Ring (For 9/16 hole)
3	11089	1	Washer (For #10 bolt)
4	11024	1	Compression Spring (1/4 O.D. x 5/8 Lg.)
5	10423	1	Steel Ball (9/32 dia.)
6	209945	2	Cap Screw (5/16-18 UNC x 2-1/2 Lg.; Torque to 220/240 in. lbs.)
7	52168	1	Valve Body
8	10267	1	O-ring (7/16 x 5/16 x 1/16, -011)

Item No.	Part No.	No. Req'd	Description
9	15085	1	Backup Washer (7/16 x 5/16 x 1/16, -011)
10	304849	1	Release Valve Screw
11	213109	1	Knob
12	10556	1	Set Screw (Torque to 30/50 in. lbs.)
13	10268	2	O-ring (1/2 x 3/8 x 1/16, -012)
14	11863	2	Backup Washer (1/2 x 3/8 x 1/16, -012)
15	202505	1	Coupling

Note: Last revision(s) made to this form was to remove repair kit.

Sheet No. 1 of 1

Rev. Date: 25 Apr. 1995