

SPXFLOW

>Power Team®

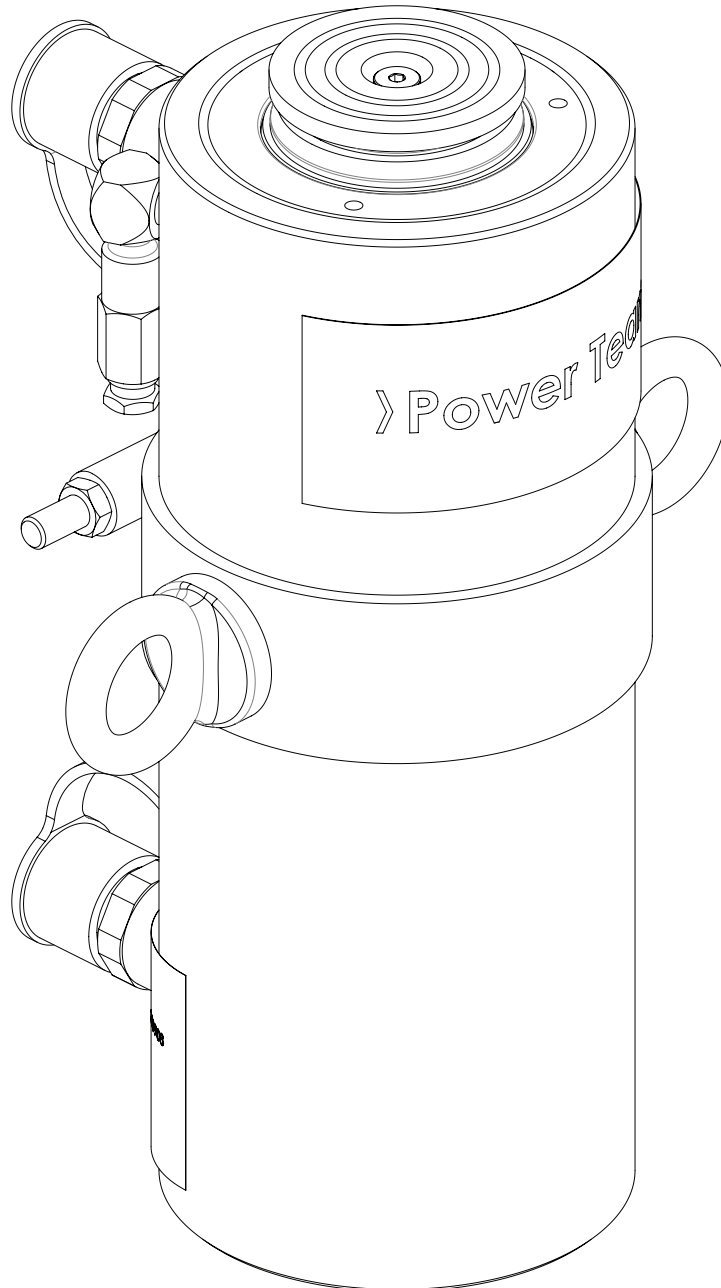
SPX Hydraulic Technologies
5885 11th Street
Rockford, IL 61109-3699 USA
powerteam.com

Tech Services: (800) 477-8326
Fax: (800) 765-8326
Order Entry: (800) 541-1418
Fax: (800) 288-7031

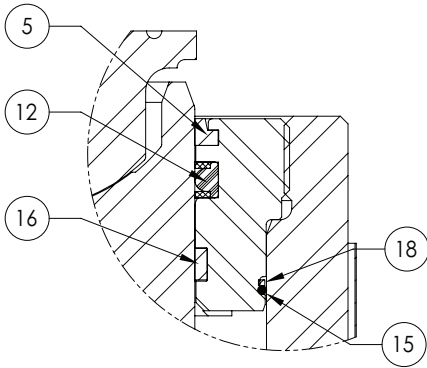
Parts List for:

RDG Series
RGG Series
RGL Series

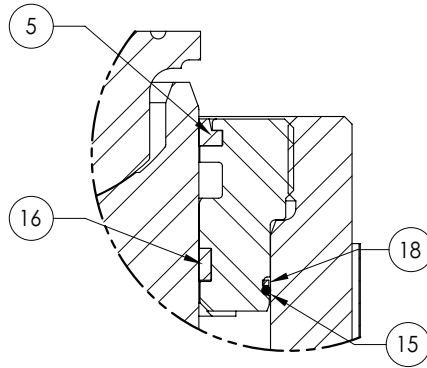
55 TON HYDRAULIC CYLINDER DOUBLE-ACTING, SINGLE-ACTING, & LOCKING COLLAR



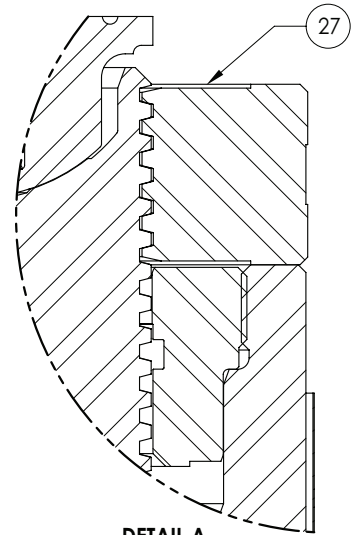
PARTS DIAGRAM



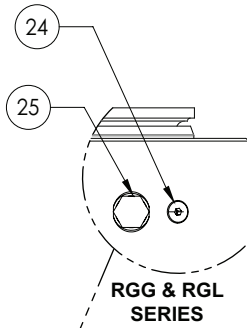
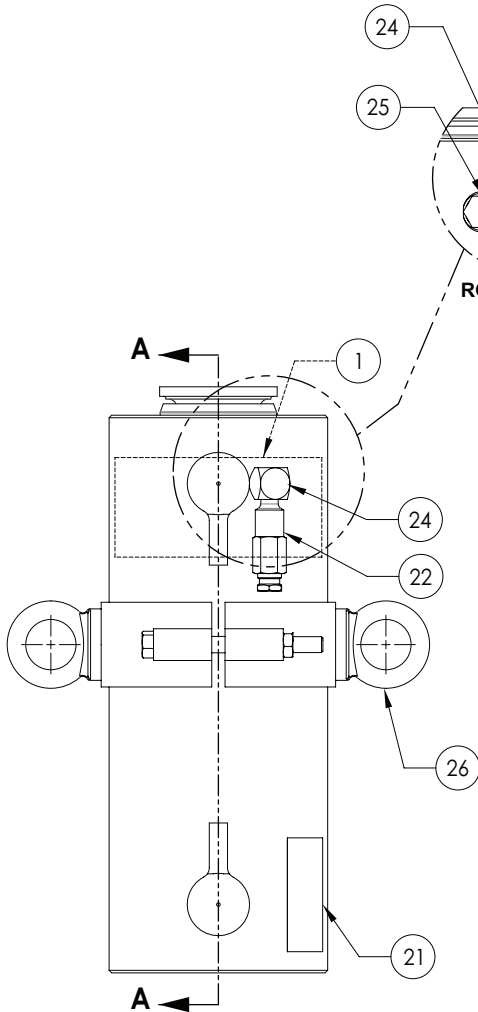
DETAIL A
RDG SERIES



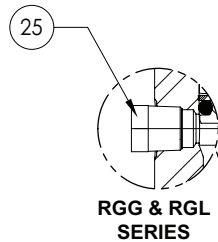
DETAIL A
RGG SERIES



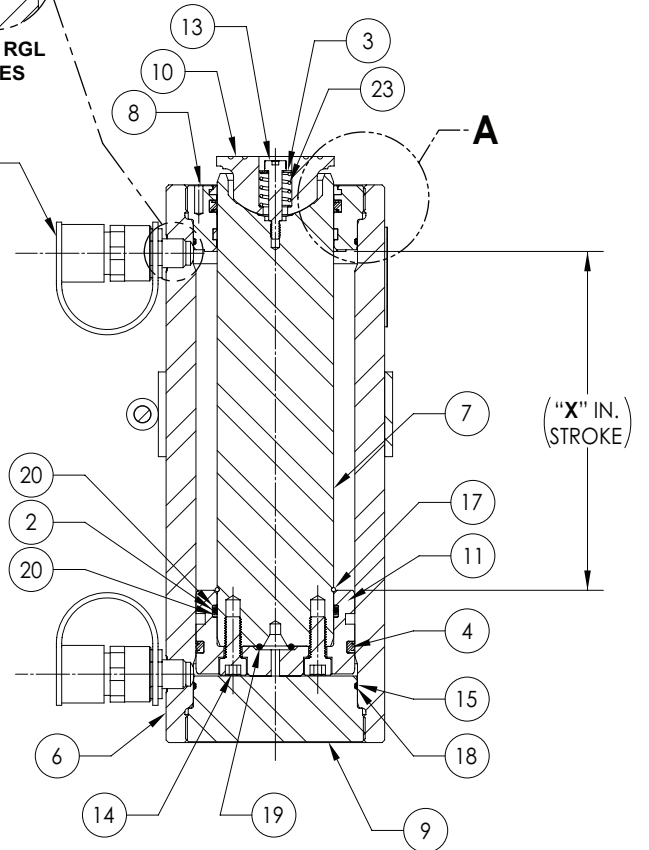
DETAIL A
RGL SERIES



RGG & RGL
SERIES



RGG & RGL
SERIES



SECTION A-A

PARTS LIST

ITEM	PART NO.	DESCRIPTION	QTY.
1	1000953	DECAL, TRADENAME POWERTEAM (2.4IN X 6.3IN)	1
2	10296	PACKING, O-RING (ROUND SECTION)	1
3	14968	WASHER, SPECIAL	1
4	15381	PACKING, T-SEAL, 3.75 X 3.38 X .27 L	1
5	18931	WIPER, ROD 3.13 x 2.75 URE	1
6	2009364-X	CYLINDER, XIN 55T DA ST FNC	1
7	2009365-X	ROD, XIN 55T DA ST FNC SWVL	1
	2010019-X	ROD, XIN 55T LC ST FNC SWVL (RGL SERIES)	1
8	2009366	NUT, RETAINER 55T ST FNC	1
	2010021	NUT, RETAINER 55T LC ST FNC (RGL SERIES)	1
9	2009367	END, RETAINER 55T ST FNC	1
10	2009368	CAP, SWIVEL 55T ST FNC	1
11	2009369	PISTON, 55T DA ST FNC	1
12	2009370	SEAL, TSEL 3.12x2.75x0.28 NBR 75	1
13	2009371	SCREW, SHOULDER M6 X 1 - 30MM	1
14	2009372	SCREW, NYLOCK CAP M10 X 25MM	4
15	2009373	ORING, -044 3.739INx0.070x3.879 NBR70	2
16	2009374	WIPER, FELT HARD-DENSITY	1
17	2009375	WIRE, STOP 0.100	1
18	2009376	WASHER, BKUP - 3.85INx3.75x0.045 (HYTREL)	2
19	2009377	ORING, -208 0.609INx0.139x0.887 NBR70	1
20	2009378	WASHER, BKUP 2.976 x 2.750 x 0.04 (HYTREL)	2
21	203908	DECAL, WARNING CYLINDER	1
22	21278-48	RELIEF VALVE ASSEMBLY 4,900/5,300 PSI	1
23	213880	SPRING, COMPRESSION	1
24	24730	FITTING, 90D ELB 1/8 NPTF M x 1/8 NPTF F	1
	206414	FITTING, PLUG 1/8NPTF VENTED (RGG & RGL SERIES)	1
25	25600	COUPLER, QUICK CYLINDER HALF	2
	4796-AA	BREATHER VENT 3/8 N.P.T. (RGG & RGL SERIES)	1
26	3000905-OR9	EYLET, CYLINDER LIFT 5.16 ID (NOT USED ON 2-4 INCH STROKE MODELS)	1
27	2010020	COLLAR, 55T LC ST FNC (RGL SERIES)	1

SEAL KITS

- For RDG55 Series use Seal Kit No. 3000906
- For RGG55 Series use Seal Kit No. 3001016
- For RGL55 Series use Seal Kit No. 3001026