

SPXFLOW

>Power Team®

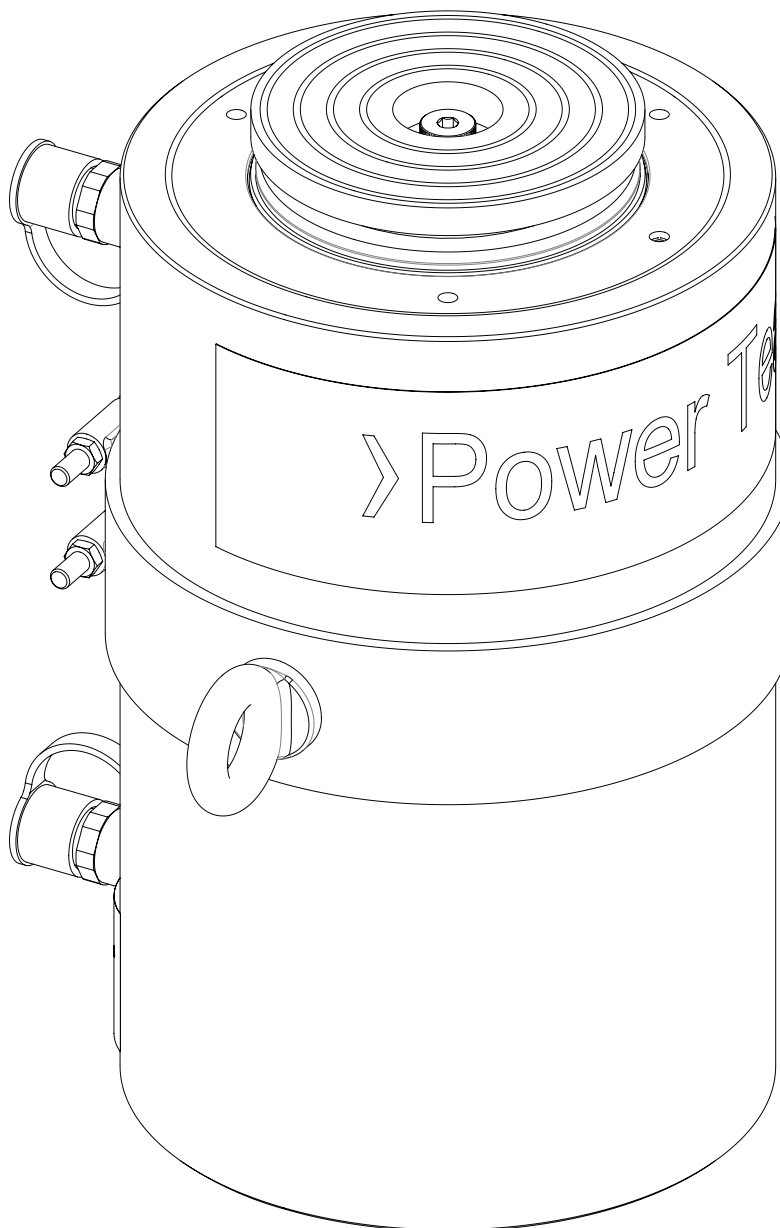
SPX Hydraulic Technologies
5885 11th Street
Rockford, IL 61109-3699 USA
powerteam.com

Tech Services: (800) 477-8326
Fax: (800) 765-8326
Order Entry: (800) 541-1418
Fax: (800) 288-7031

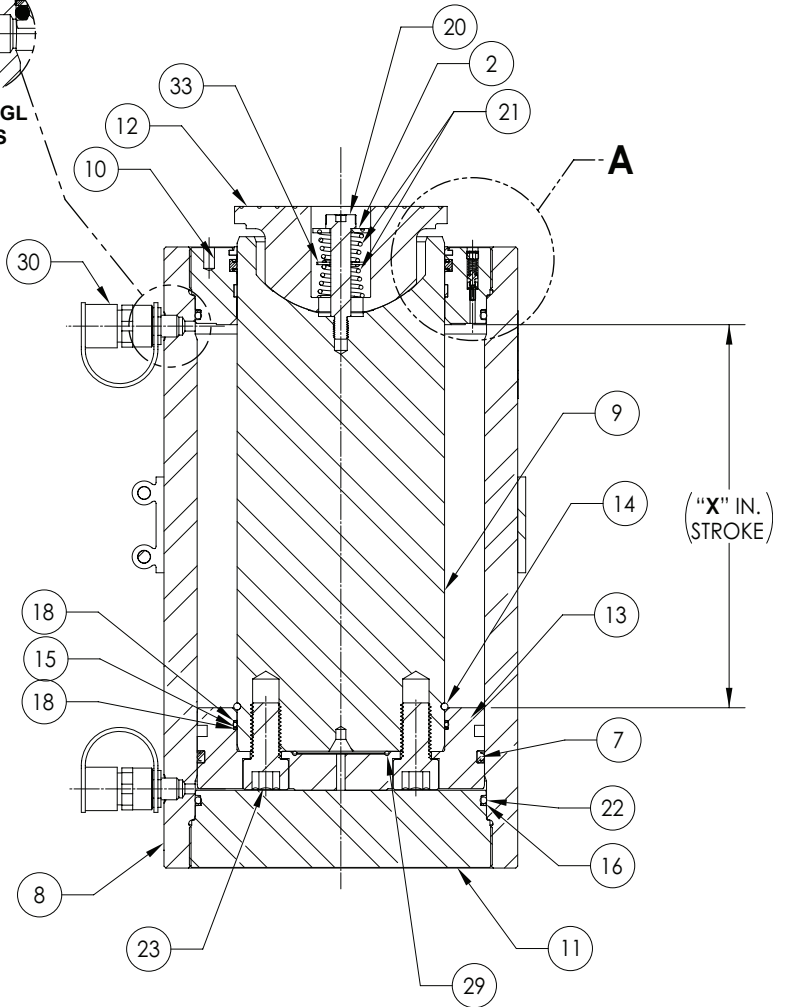
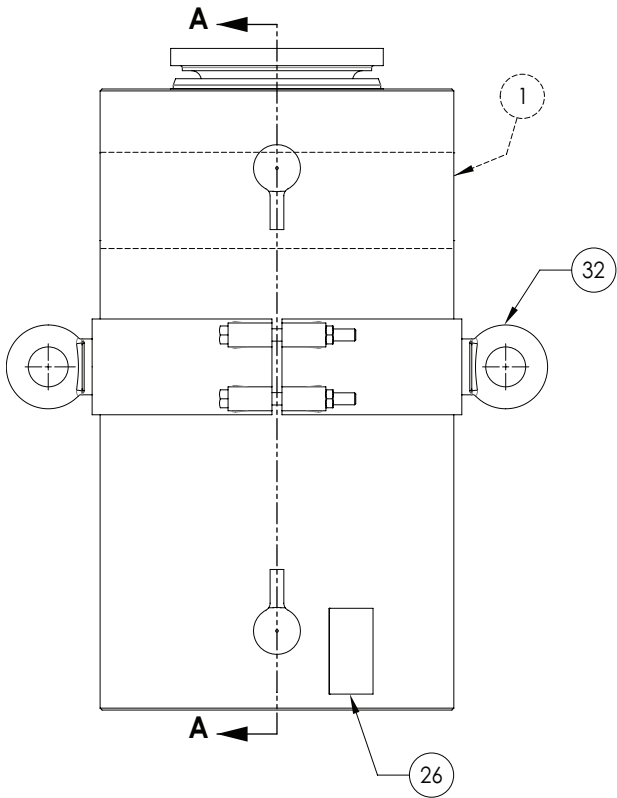
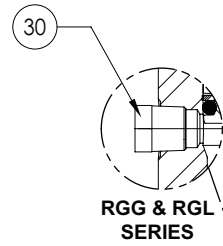
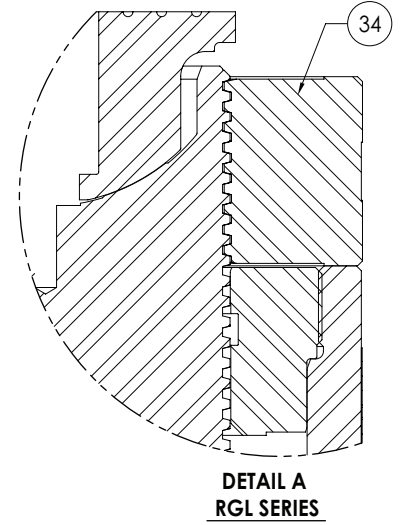
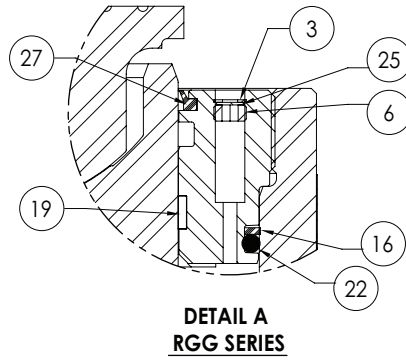
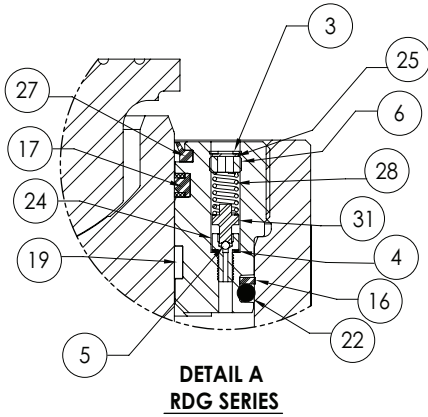
Parts List for:

RDG Series
RGG Series
RGL Series

500 TON HYDRAULIC CYLINDER DOUBLE-ACTING, SINGLE-ACTING, & LOCKING COLLAR



PARTS DIAGRAM



SECTION A-A

PARTS LIST

ITEM	PART NO.	DESCRIPTION	QTY.
1	1000955	DECAL, TRADENAME POWERTEAM (3.5IN X 22.24IN)	1
2	2009437	WASHER, PLN 2.25INX0.94X0.16 ST ZN	1
3	12201	RING, RETAIN INT 0.18 X .010	1
4	14319	WASHER, SPECIAL 0.310 x0.190	1
5	17238	BALL, 3/32 DIA STAINLESS STEEL	1
6	17240	SCREW, HOL LCK 3/8-24 X 0.19	1
7	2009403	SEAL, TSEL 11.50IN X 11.030 X .38 NBR 75	1
8	2009392-X	CYLINDER, XIN 500T DA ST FNC	1
9	2009396-X	ROD, XIN 500T DA ST FNC SWVL	1
	2010040-X	ROD, XIN 500T LC ST FNC SWVL (RGL SERIES)	1
10	2009394	NUT, RETAINER 500T ST FNC	1
	2010042	NUT, RETAINER 500T LC ST FNC (RGL SERIES)	1
11	2009393	END, RETAINER 500T ST FNC	1
12	2009397	CAP, SWIVEL 500T ST FNC	1
13	2009395	PISTON, 500T DA ST FNC	1
14	2009401	WIRE, STOP 0.312	1
15	2009399	ORING, 2-369 7.975INx0.21x8.395 NBR70	1
16	2009405	WASHER, BKUP - 11.35INx11.00x0.06 (HYTREL)	2
17	2009402	SEAL, TSEL 8.47INx8.00x0.36 NBR 75	1
18	2009400	WASHER, BKUP 8.35 x 8.00 x 0.06 (HYTREL)	2
19	2009398	WIPER,FELT HARD-DENSITY	1
20	2009354	SCREW, SHOULDER M16 X 2MM - 80MM	1
21	212049	SPRING, COM OD2.135ID1.175L1.370CS	2
22	2009406	ORING, -379 10.975INx0.275x11.525 NBR70	2
23	2009353	SCREW, CAP M30 x 60MM	4
24	203364	SEAT, REPLACEABLE	1
25	203475	SCREEN, FILTER	1
26	203908	DECAL, WARNING CYLINDER	1
27	2009404	SEAL, WIPR 8.49INx8.00x0.26 PU 90	1
28	209260	SPRING, COM OD .308 ID X.XXXR69L.645MW	1
29	10296	PACKING, O-RING (ROUND SECTION)	1
30	25600	COUPLER, QUICK CYLINDER HALF	2
	4796-AA	BREATHER VENT 3/8 N.P.T. (RGG & RGL SERIES)	1
31	29785	RETAINER, BALL	1
32	3000909-OR9	EYELET, CYLINDER LIFT 14.16ID	1
33	11253	WASHER, PLAIN 1.07 x 2.01 x 0.14 STL	1
34	2010041	COLLAR, 500T LC ST FNC (RGL SERIES)	1

SEAL KITS

- For RDG500 Series use Seal Kit No. 3000921
- For RGL500 Series use Seal Kit No. 3001034
- For RGG500 Series use Seal Kit No. 3001024