

# SPXFLOW

## >Power Team®

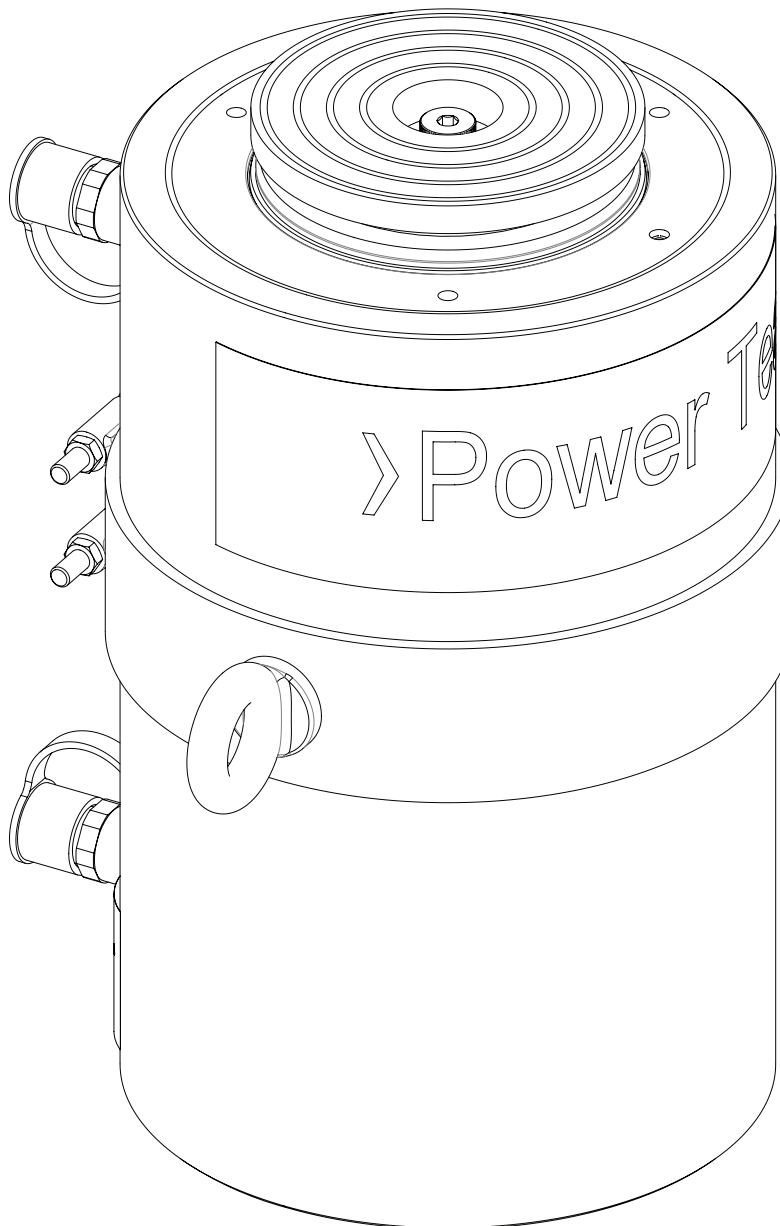
SPX Hydraulic Technologies  
5885 11th Street  
Rockford, IL 61109-3699 USA  
powerteam.com

Tech Services: (800) 477-8326  
Fax: (800) 765-8326  
Order Entry: (800) 541-1418  
Fax: (800) 288-7031

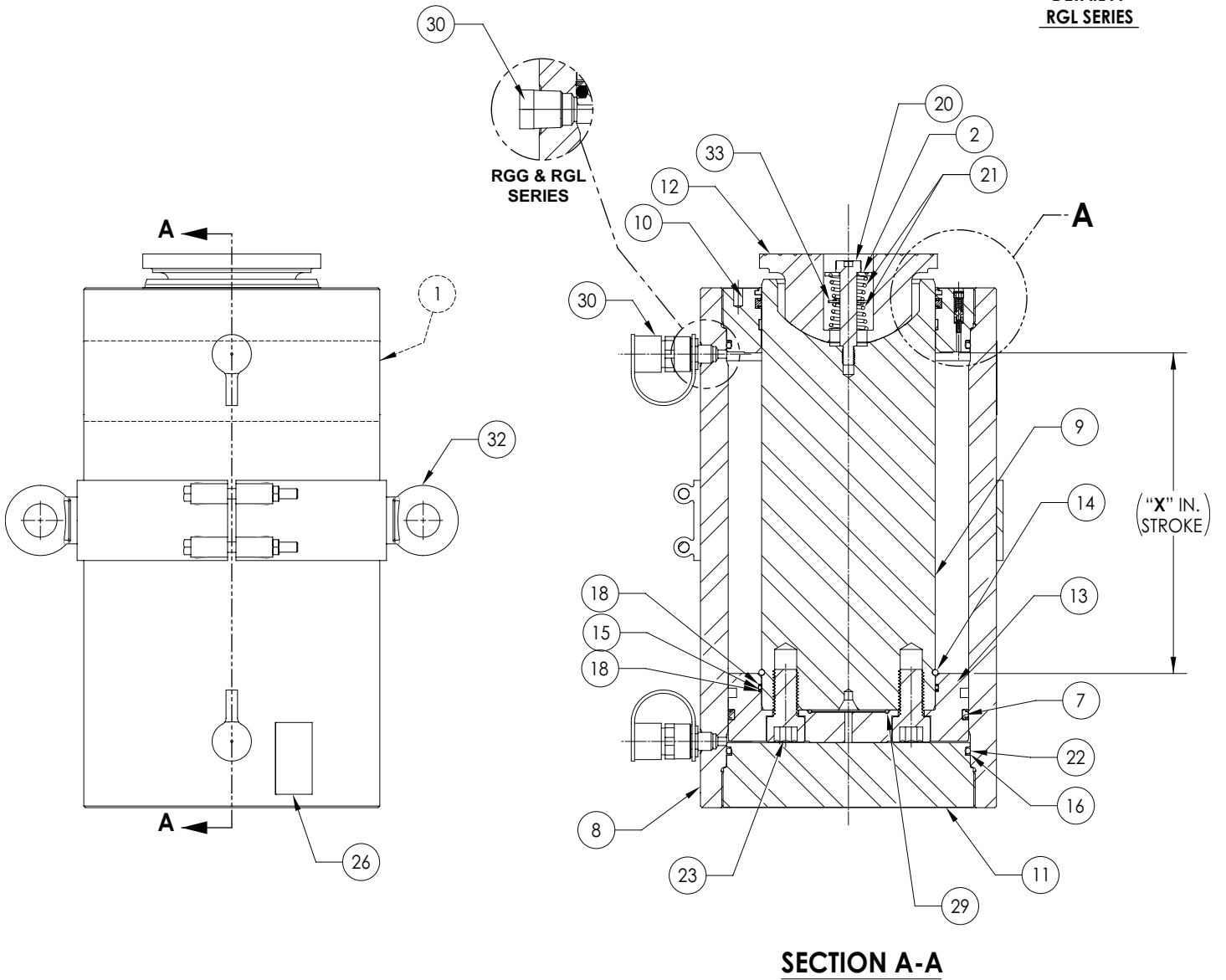
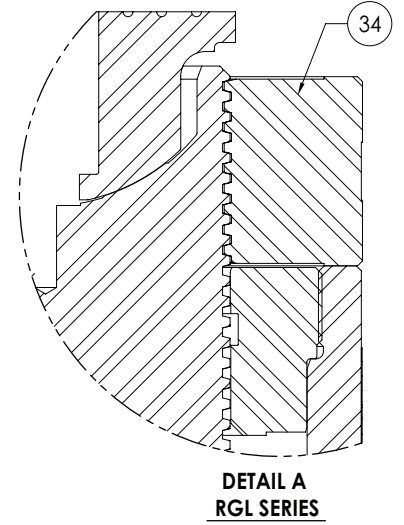
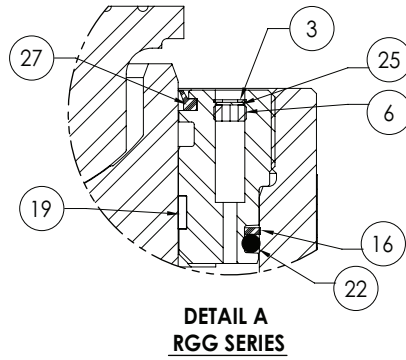
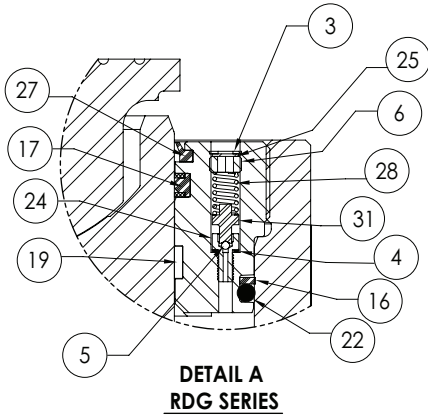
Parts List for:

**RDG Series**  
**RGG Series**  
**RGL Series**

### 300 TON HYDRAULIC CYLINDER DOUBLE-ACTING, SINGLE-ACTING, & LOCKING COLLAR



# PARTS DIAGRAM



## PARTS LIST

ITEM	PART NO.	DESCRIPTION	QTY.
1	1000957	DECAL, TRADENAME POWERTEAM (2.75IN X 20.3IN)	1
2	2009439	WASHER, PLN 1.75x0.69x0.13 ST ZN	1
3	12201	RING, RETAIN INT 0.18 X .010	1
4	14319	WASHER, SPECIAL 0.310 x0.190	1
5	17238	BALL, 3/32 DIA STAINLESS STEEL	1
6	17240	SCREW, HOL LCK 3/8-24 X 0.19	1
7	2009432	SEAL, TSEL 9.00INx8.53x0.38 NBR 75	1
8	2009422-X	CYLINDER, XIN 300T DA ST FNC	1
9	2009426-X	ROD, XIN 300T DA ST FNC SWVL	1
	2010034-X	ROD, XIN 300T LC ST FNC SWVL (RGL SERIES)	1
10	2009424	NUT, RETAINER 300T ST FNC	1
	2010036	NUT, RETAINER 300T LC ST FNC (RGL SERIES)	1
11	2009423	END, RETAINER 300T ST FNC	1
12	2009427	CAP, SWIVEL 300T ST FNC	1
13	2009425	PISTON, 300T DA ST FNC	1
14	2009428	WIRE, STOP 0.218	1
15	2009435	ORING, -260 6.762INx6.484x0.139 NBR70	1
16	2009430	WASHER, BKUP - 9.10INx8.78x0.06 (HYTREL)	2
17	2009431	SEAL, TSEL 6.97x6.50x0.37 NBR 75	1
18	2009429	WASHER, BKUP 6.726x6.50x0.04 (HYTREL)	2
19	2009433	WIPER, FELT HARD-DENSITY	1
20	2009436	SCREW, SHOULDER M12 X 1.75MM - 70MM	1
21	212044	SPRING, COMPRESSION	2
22	2009434	ORING, -372 9.145INx8.725x0.210 NBR70	2
23	2009421	SCREW, CAP M24 X 45MM	4
24	203364	SEAT, REPLACEABLE	1
25	203475	SCREEN, FILTER	1
26	203908	DECAL, WARNING CYLINDER	1
27	252413	WIPER, ROD 7.00 x 6.50 URE	1
28	209260	SPRING, COM OD .308 ID X.XXXR69L.645MW	1
29	210404	O-RING (-232) 2.734ID X 0.139 URETHAN 92	1
30	25600	COUPLER, QUICK CYLINDER HALF	2
	4796-AA	BREATHER VENT 3/8 N.P.T. (RGG & RGL SERIES)	1
31	29785	RETAINER, BALL	1
32	3000919-OR9	EYELET, CYLINDER LIFT 11.08ID	1
33	2009440	WASHER, PLN 1.50x0.688x0.08 SS	1
34	2010035	COLLAR, 300T LC ST FNC (RGL SERIES)	1

## SEAL KITS

- For RDG300 Series use Seal Kit No. 3000920
- For RGL300 Series use Seal Kit No. 3001032
- For RGG300 Series use Seal Kit No. 3001022