

Parts List for:

R100D Series R280D Series R565D Series
 R150D Series R355D Series
 R200D Series R430D Series

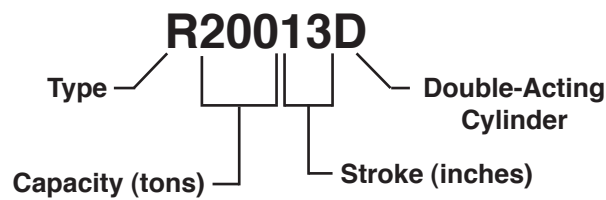
(See Product Part No. definition below)

DOUBLE-ACTING, GRAVITY RETURN HYDRAULIC CYLINDER

Max. Capacity: (See chart below)

CAPACITY PER PART NO.	TONS AT 10,000 PSI MAX.
100	103.1
150	153.4
200	206.4
280	283.7
355	354.4
430	432.9
565	565.5

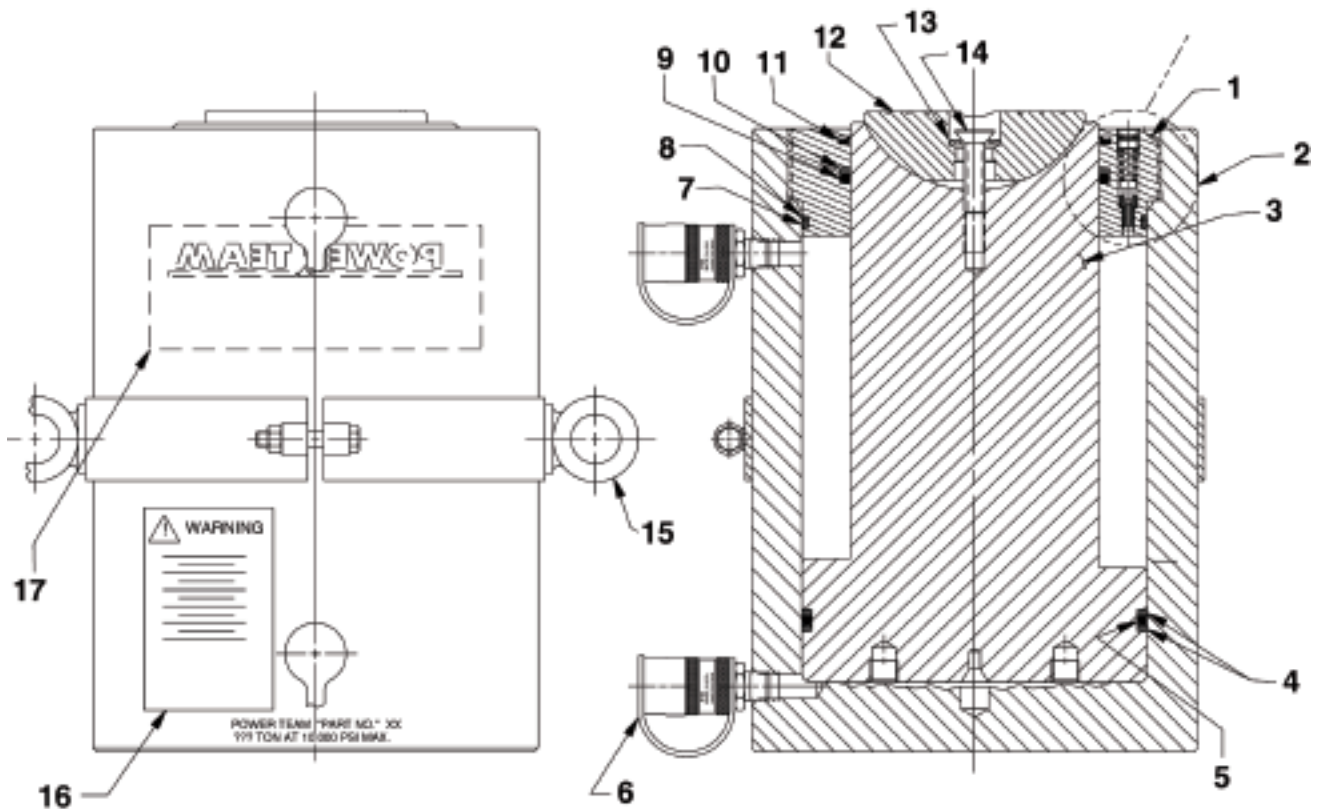
Product Part No. Definition



**Double-acting
 Cylinder
 Relief Valve**

See important

! DANGER
 statement
 on back of
 sheet 1 of 3



R100D Series

Item No.	Part No.	No. Req'd	Description
1	65404-100	1	Retainer Nut
2	65402-100-Stroke	1	Cylinder Body
3	65403-100-Stroke	1	Piston Rod
4	-----	-	-----
5	*19207	1	T-Seal
6	9796	2	Ram Half Coupler
7	*10886	1	O-ring (5-1/8" X 4-7/8" X 1/8)
8	*19174	1	Backup Washer (5-1/8" X 4-7/8" x .048)
9	*260287	1	U-cup
10	*260288	1	Backup Washer (4-1/8 X 3-3/4 X .070)
11	*250008	1	Rod Wiper
12	421442	1	Swivel Cap
13	-----	-	-----
14	251553	1	Screw (3/8-16UNC X 1-3/4 Lg.)
15	58486OR9	1	Handle
16	37782	1	Warning Decal (3-1/8 X 4-7/8 Lg.)
	*203908	1	Warning Decal (1-9/16 X 2-11/16 Lg.)
	212064	1	Warning Decal (1-9/16 X 1-15/16 Lg.)
17	309221CE	1	Trade Name Decal (3" X 12" Lg.)
	309219	1	Trade Name Decal (2-1/4 X 8-7/8 Lg.)
	202173CE	1	Trade Name Decal (1-1/4 X 4" Lg.)

R150D Series

Item No.	Part No.	No. Req'd	Description
1	65404-150	1	Retainer Nut
2	65402-150-Stroke	1	Cylinder Body
3	65403-150-Stroke	1	Piston Rod
4	*251535	2	Backup Washer (6-1/4 X 5-3/4 X .095)
5	*251534	1	O-ring (6-1/4 X 5-3/4 X 1/4)
6	9796	2	Ram Half Coupler
7	*13425	1	O-ring 6-1/4" X 6" X 1/8)
8	*19298	1	Backup Washer (6-1/4" X 6" X .048)
9	*19293	1	U-cup
10	*19349	1	Backup Washer (4-7/8 X 4-1/2 X .070)
11	*207497	1	Rod Wiper
12	421443	1	Swivel Cap
13	-----	-	-----
14	252449	1	Screw (3/8-16UNC X 2" Lg.)
15	58487OR9	1	Handle
16	37782	1	Warning Decal (3-1/8 X 4-7/8 Lg.)
	*203908	1	Warning Decal (1-9/16 X 2-11/16 Lg.)
	212064	1	Warning Decal (1-9/16 X 1-15/16 Lg.)
17	309221CE	1	Trade Name Decal (3" X 12" Lg.)
	309219	1	Trade Name Decal (2-1/4 X 8-7/8 Lg.)
	202173	1	Trade Name Decal (1-1/4 X 4" Lg.)

Part numbers marked with an asterisk (*) are contained in Repair Kit No. 301042.

Part numbers marked with an asterisk (*) are contained in Repair Kit No. 301043.

NOTE: Both o-ring and backup washer must be replaced when repairing these cylinders!



To help avoid possible serious personal injury or death.

- In the event that the cylinder retract port is ever restricted or plugged, a double-acting cylinder relief valve will help prevent excessive pressure from building in the cylinder. DO NOT attempt to adjust or service this relief valve! If oil leakage is detected from this relief valve, discontinue use of the cylinder immediately and contact Power Team Technical Services. Only Power Team Authorized Hydraulic Service Centers should service this relief valve.

R200D Series

Item No.	Part No.	No. Req'd	Description
1	65404-200	1	Retainer Nut
2	65402-200-Stroke	1	Cylinder Body
3	65403-200-Stroke	1	Piston Rod
4	*251537	2	Backup Washer (7-1/4 X 6-3/4 X .095)
5	*251536	1	O-ring (7-1/4 X 6-3/4 X 1/4)
6	9796	2	Ram Half Coupler
7	*252432	1	O-ring (7-1/4 X 7" X 1/8)
8	*252437	1	Backup Washer (7-1/4 X 7" X .050)
9	*260289	1	U-cup
10	*260290	1	Backup Washer (5-5/8 X 5-1/4 X .070)
11	*252412	1	Rod Wiper
12	421444	1	Swivel Cap
13	250971	1	Washer (.695 X 1-1/4 X .090)
14	251554	1	Screw (3/8-16UNC X 2-1/4 Lg.)
15	58488OR9	1	Handle
16	*37782	1	Warning Decal (3-1/8 X 4-7/8 Lg.)
	*203908	1	Warning Decal (1-9/16 X 2-11/16 Lg.)
	212064	1	Warning Decal (1-9/16 X 1-15/16 Lg.)
17	309221CE	1	Trade Name Decal (3" X 12" Lg.)
	309219	1	Trade Name Decal (2-1/4 X 8-7/8 Lg.)
	202173	1	Trade Name Decal (1-1/4 X 4" Lg.)

Part numbers marked with an asterisk (*) are contained in Repair Kit No. 301044.

R280D Series

Item No.	Part No.	No. Req'd	Description
1	65404-280	1	Retainer Nut
2	65402-280-Stroke	1	Cylinder Body
3	65403-280-Stroke	1	Piston Rod
4	*251538	2	Backup Washer (8-1/2 X 8" X .095)
5	*250967	1	O-ring 8-1/2" X 8" X 1/4
6	9796	2	Ram Half Coupler
7	*252433	1	O-ring (8-1/2 X 8-1/4 X 1/8)
8	*252438	1	Backup Washer (8-1/2 X 8-1/4 X .050)
9	*260291	1	U-cup
10	*260292	1	Backup Washer (6-7/8 X 6-1/2 X 3/16)
11	*252413	1	Rod Wiper
12	421445	1	Swivel Cap
13	250971	1	Washer (.695 X 1-1/4 X .090)
14	252465	1	Screw (3/8-16UNC X 2-3/4 Lg.)
15	58489OR9	1	Handle
16	*37782	1	Warning Decal (3-1/8 X 4-7/8 Lg.)
	*203908	1	Warning Decal (1-9/16 X 2-11/16 Lg.)
	212064	1	Warning Decal (1-9/16 X 1-15/16 Lg.)
17	309221	1	Trade Name Decal (3" X 12" Lg.)
	309219	1	Trade Name Decal (2-1/4 X 8-7/8 Lg.)
	202173	1	Trade Name Decal (1-1/4 X 4" Lg.)

Part numbers marked with an asterisk (*) are contained in Repair Kit No. 301045.

NOTE: Both o-ring and backup washer must be replaced when repairing these cylinders!

R355D Series

Item No.	Part No.	No. Req'd	Description
1	65404-355	1	Retainer Nut
2	65402-355-Stroke	1	Cylinder Body
3	65403-355-Stroke	1	Piston Rod
4	*250986	2	Backup Washer (9-1/2" X 9" X .095)
5	*250985	1	O-ring (9-1/2" X 9" X 1/4)
6	9796	2	Ram Half Coupler
7	*252434	1	O-ring (9-1/2 X 9-1/4 X 1/8)
8	*252439	1	Backup Washer (9-1/2 X 9-1/4 X .050)
9	*260293	1	U-cup (8-1/8 X 7-3/4 X 3/16)
10	*260294	1	Backup Washer (8-1/8 X 7/3/4 X .070)
11	*252414	1	Rod Wiper (???)
12	58892	1	Swivel Cap
13	13324	1	Washer (For 5/8 Bolt)
14	252451	1	Screw (3/8-16UNC X 3" Lg.)
15	58876OR9	1	Handle
16	*37782	1	Warning Decal (3-1/8 X 4-7/8 Lg.)
	*203908	1	Warning Decal (1-9/16 X 2-11/16 Lg.)
	212064	1	Warning Decal (1-9/16 X 1-15/16 Lg.)
17	309221CE	1	Trade Name Decal (3" X 12" Lg.)
	309219	1	Trade Name Decal (2-1/4 X 8-7/8 Lg.)
	202173	1	Trade Name Decal (1-1/4 X 4" Lg.)

Part numbers marked with an asterisk (*) are contained in Repair Kit No. 301046.

R430D Series

Item No.	Part No.	No. Req'd	Description
1	65404-430	1	Retainer Nut
2	65402-430-Stroke	1	Cylinder Body
3	65403-430-Stroke	1	Piston Rod
4	*251540	2	Backup Washer (10-1/2 X 10" X .095)
5	*251539	1	O-ring (10-1/2 X 10" X 1/4)
6	9796	2	Ram Half Coupler
7	*252435	1	O-ring (10-1/2 X 10-1/4 X 1/8)
8	*252440	1	Backup Washer (10-1/2 X 10-1/4 X .050)
9	*260295	1	U-cup (8-7/8 X 8-1/2 X 3/16)
10	*260296	1	Backup Washer (8-7/8 X 8-1/2 X .070)
11	*252415	1	Rod Wiper
12	58893	1	Swivel Cap
13	13324	1	Washer (For 5/8 Bolt)
14	251556	1	Screw (3/8-16UNC X 3-1/2 Lg.)
15	58875OR9	1	Handle
16	*37782	1	Warning Decal (3-1/8 X 4-7/8 Lg.)
	*203908	1	Warning Decal (1-9/16 X 2-11/16 Lg.)
	212064	1	Warning Decal (1-9/16 X 1-15/16 Lg.)
17	309221CE	1	Trade Name Decal (3" X 12" Lg.)
	309219	1	Trade Name Decal (2-1/4 X 8-7/8 Lg.)
	202173	1	Trade Name Decal (1-1/4 X 4" Lg.)

Part numbers marked with an asterisk (*) are contained in Repair Kit No. 301047.

NOTE: Both o-ring and backup washer must be replaced when repairing these cylinders!

R565D Series

Item No.	Part No.	No. Req'd	Description
1	65404-565	1	Retainer Nut
2	65402-565-Stroke	1	Cylinder Body
3	65403-565-Stroke	1	Piston Rod
4	*2001910	1	Backup, Washer
5	*2001803	1	Piston, T-Seal
6	9796	2	Ram Half Coupler
7	*2001835	1	O-ring (12" X 11-3/4 X 1/8)
8	*2001836	1	Backup Washer (12" X 11-3/4 X .050)
9	*260297	1	U-cup (10-1/8 X 9-3/4 X 3/16)
10	*260298	1	Backup Washer (10-1/4 X 9-3/4 X .06)
11	*252416	1	Rod Wiper
12	58894	1	Swivel Cap
13	13324	1	Washer (For 5/8 Bolt)
14	252466	1	Screw (3/8-16UNC X 3-3/4 Lg.)
15	52725	1	Handle
16	*37782	1	Warning Decal (3-1/8 X 4-7/8 Lg.)
	*203908	1	Warning Decal (1-9/16 X 2-11/16 Lg.)
	212064	1	Warning Decal (1-9/16 X 1-15/16 Lg.)
17	309221	1	Trade Name Decal (3" X 12" Lg.)
	309219	1	Trade Name Decal (2-1/4 X 8-7/8 Lg.)
	202173	1	Trade Name Decal (1-1/4 X 4" Lg.)

Part numbers marked with an asterisk (*) are contained in Repair Kit No. 301048.

NOTE: Both o-ring and backup washer must be replaced when repairing these cylinders!

Refer to any operating instructions included with this product for detailed information about operation, testing, disassembly, reassembly, and preventive maintenance.

Items found in this parts list have been carefully tested and selected. **Therefore: Use only genuine Power Team replacement parts!**

Additional questions can be directed to our Technical Services Department.