

Parts List for:

- | | |
|-------------|-------------|
| R55 Series | R280 Series |
| R100 Series | R355 Series |
| R150 Series | R430 Series |
| R200 Series | R565 Series |

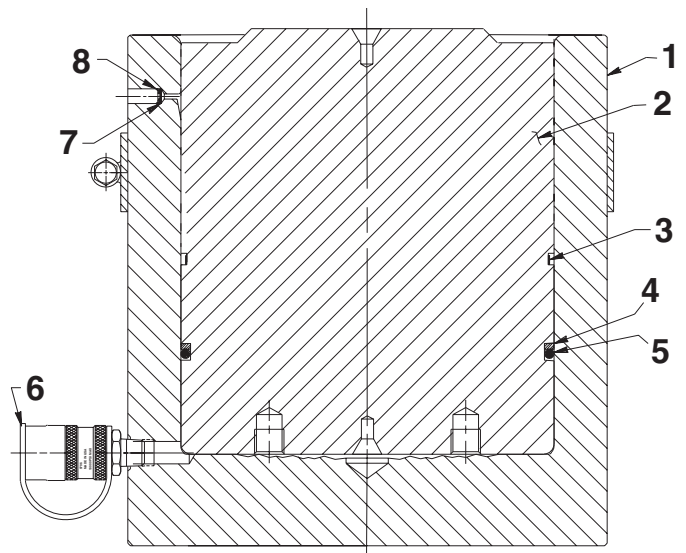
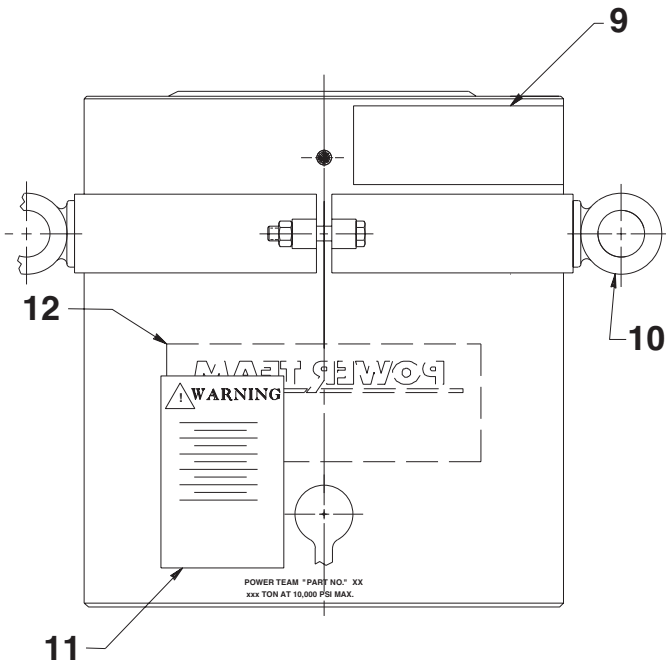
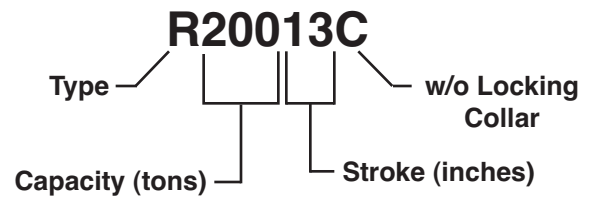
(See Product Part No. definition below)

SINGLE-ACTING, GRAVITY RETURN, WITHOUT LOCKING COLLAR HYDRAULIC CYLINDER

Max. Capacity: (See chart below)

CAPACITY PER PART NO.	TONS AT 10,000 PSI MAX.
55	55.2
100	103.1
150	153.4
200	206.4
280	283.7
355	354.4
430	432.9
565	565.5

Product Part No. Definition



R55 Series

Item No.	Part No.	No. Req'd	Description
1	64569-55-Stroke	1	Cylinder Body
2	64858-55-Stroke	1	Piston Rod
3	250972	1.5 ft.	Reflective Tape (Cut to .220/.280 wide)
4	*251531	1	Backup Washer
5	*251530	1	O-ring
6	9796	1	Ram Half Coupler
7	214596	1	Filter Disc
8	12201	1	Retaining Ring
9	251807	1	Decal
10	420396OR9	1	Handle Assembly (Assemble handle approx. 1/2" above center of gravity. Position handle so that coupler is in a protected position when lifting.)
11	203908	1	Warning Decal
	212064	1	Warning Decal (For R552C)
12	309221CE	1	Trade Name Decal
	202173	1	Trade Name Decal (For R552C)

Part numbers marked with an asterisk (*) are contained in Repair Kit No. 300674.

R100 Series

Item No.	Part No.	No. Req'd	Description
1	64569-100-Stroke	1	Cylinder Body
2	64858-100-Stroke	1	Piston Rod
3	250972	2 ft.	Reflective Tape (Cut to .220/.280 wide)
4	*251533	1	Backup Washer
5	*251532	1	O-ring
6	9796	1	Ram Half Coupler
7	214596	1	Filter Disc
8	12201	1	Retaining Ring
9	251807	1	Decal
10	58486OR9	1	Handle Assembly (Assemble handle approx. 1/2" above center of gravity. Position handle so that coupler is in a protected position when lifting.)
11	203908	1	Warning Decal
	212064	1	Warning Decal (For R1002C)
12	202173	1	Trade Name Decal

Part numbers marked with an asterisk (*) are contained in Repair Kit No. 300675.

NOTE: Both o-ring and backup washer must be replaced when repairing these cylinders!

Refer to any operating instructions included with this product for detailed information about operation, testing, disassembly, reassembly, and preventive maintenance.

Items found in this parts list have been carefully tested and selected. **Therefore: Use only genuine Power Team replacement parts!**

Additional questions can be directed to our Technical Services Department.

R150 Series

Item No.	Part No.	No. Req'd	Description
1	64569-150-Stroke	1	Cylinder Body
2	64858-150-Stroke	1	Piston Rod
3	250972	2.5 ft.	Reflective Tape (Cut to .220/.280 wide)
4	*251535	1	Backup Washer
5	*251534	1	O-ring
6	9796	1	Ram Half Coupler
7	214596	1	Filter Disc
8	12201	1	Retaining Ring
9	251807	1	Decal
10	58487OR9	1	Handle Assembly (Assemble handle approx. 1/2" above center of gravity. Position handle so that coupler is in a protected position when lifting.)
11	203908	1	Warning Decal
	212064	1	Warning Decal (For R1502C)
12	309221CE	1	Trade Name Decal
	309219CE	1	Trade Name Decal (For R1502C)

Part numbers marked with an asterisk (*) are contained in Repair Kit No. 300676.

NOTE: Both o-ring and backup washer must be replaced when repairing these cylinders!

R200 Series

Item No.	Part No.	No. Req'd	Description
1	64569-200-Stroke	1	Cylinder Body
2	64858-200-Stroke	1	Piston Rod
3	250972	3 ft.	Reflective Tape (Cut to .220/.280 wide)
4	*251537	1	Backup Washer
5	*251536	1	O-ring
6	9796	1	Ram Half Coupler
7	214596	1	Filter Disc
8	12201	1	Retaining Ring
9	251807	1	Decal
10	58488OR9	1	Handle Assembly (Assemble handle approx. 1/2" above center of gravity. Position handle so that coupler is in a protected position when lifting.)
11	37782	1	Warning Decal
	212064	1	Warning Decal (For R2002C)
12	309221CE	1	Trade Name Decal

Part numbers marked with an asterisk (*) are contained in Repair Kit No. 300677.

R280 Series

Item No.	Part No.	No. Req'd	Description
1	64569-280-Stroke	1	Cylinder Body
2	64858-280-Stroke	1	Piston Rod
3	250972	3.3 ft.	Reflective Tape (Cut to .220/.280 wide)
4	*251538	1	Backup Washer
5	*250967	1	O-ring
6	9796	1	Ram Half Coupler
7	214596	1	Filter Disc
8	12201	1	Retaining Ring
9	251807	1	Decal
10	58489OR9	1	Handle Assembly (Assemble handle approx. 1/2" above center of gravity. Position handle so that coupler is in a protected position when lifting.)
11	37782	1	Warning Decal
	212064	1	Warning Decal (For R2802C)
12	309221CE	1	Trade Name Decal

Part numbers marked with an asterisk (*) are contained in Repair Kit No. 300678.

R355 Series

Item No.	Part No.	No. Req'd	Description
1	64569-355-Stroke	1	Cylinder Body
2	64858-355-Stroke	1	Piston Rod
3	250972	3.7 ft.	Reflective Tape (Cut to .220/.280 wide)
4	*250986	1	Backup Washer
5	*250985	1	O-ring
6	9796	1	Ram Half Coupler
7	214596	1	Filter Disc
8	12201	1	Retaining Ring
9	251807	1	Decal
10	58268OR9	1	Handle Assembly (Assemble handle approx. 1/2" above center of gravity. Position handle so that coupler is in a protected position when lifting.)
11	37782	1	Warning Decal
	212064	1	Warning Decal (For R3552C)
12	309221CE	1	Trade Name Decal

Part numbers marked with an asterisk (*) are contained in Repair Kit No. 300679.

R430 Series

Item No.	Part No.	No. Req'd	Description
1	64569-430-Stroke	1	Cylinder Body
2	64858-430-Stroke	1	Piston Rod
3	250972	4.2 ft.	Reflective Tape (Cut to .220/.280 wide)
4	*251540	1	Backup Washer
5	*251539	1	O-ring
6	9796	1	Ram Half Coupler
7	214596	1	Filter Disc
8	12201	1	Retaining Ring
9	251807	1	Decal
10	58490OR9	1	Handle Assembly (Assemble handle approx. 1/2" above center of gravity. Position handle so that coupler is in a protected position when lifting.)
11	37782	1	Warning Decal
	212064	1	Warning Decal (For R4302C)
12	309221CE	1	Trade Name Decal

Part numbers marked with an asterisk (*) are contained in Repair Kit No. 300680.

R565 Series

Item No.	Part No.	No. Req'd	Description
1	64569-565-Stroke	1	Cylinder Body
2	64858-565-Stroke	1	Piston Rod
3	250972	4.7 ft.	Reflective Tape (Cut to .220/.280 wide)
4	*2001803	1	Piston, T-Seal
5	N/A		
6	9796	1	Ram Half Coupler
7	214596	1	Filter Disc
8	12201	1	Retaining Ring
9	251807	1	Decal
10	52725	1	Handle Assembly (Assemble handle approx. 1/2" above center of gravity. Position handle so that coupler is in a protected position when lifting.)
11	37782	1	Warning Decal
	212064	1	Warning Decal (For R5652C)
12	309221CE	1	Trade Name Decal

Part numbers marked with an asterisk (*) are contained in Repair Kit No. 300681.

NOTE: Both o-ring and backup washer must be replaced when repairing these cylinders!