

SPX Corporation
5885 11th Street
Rockford, IL 61109-3699 USA

Internet Address:
<http://www.powerteam.com>
Tech. Services: (800) 477-8326
Fax: (800) 765-8326
Order Entry: (800) 541-1418
Fax: (800) 288-7031

SPX Corporation
655 Eisenhower Drive
Owatonna, MN 55060-0995 USA
Phone: (507) 455-7000
Tech. Services: (800) 533-6127
Fax: (800) 955-8329
Order Entry: (507) 455-1480
Fax: (800) 283-8665
International Sales: (507) 455-7223
Fax: (507) 455-7746

Parts List for:

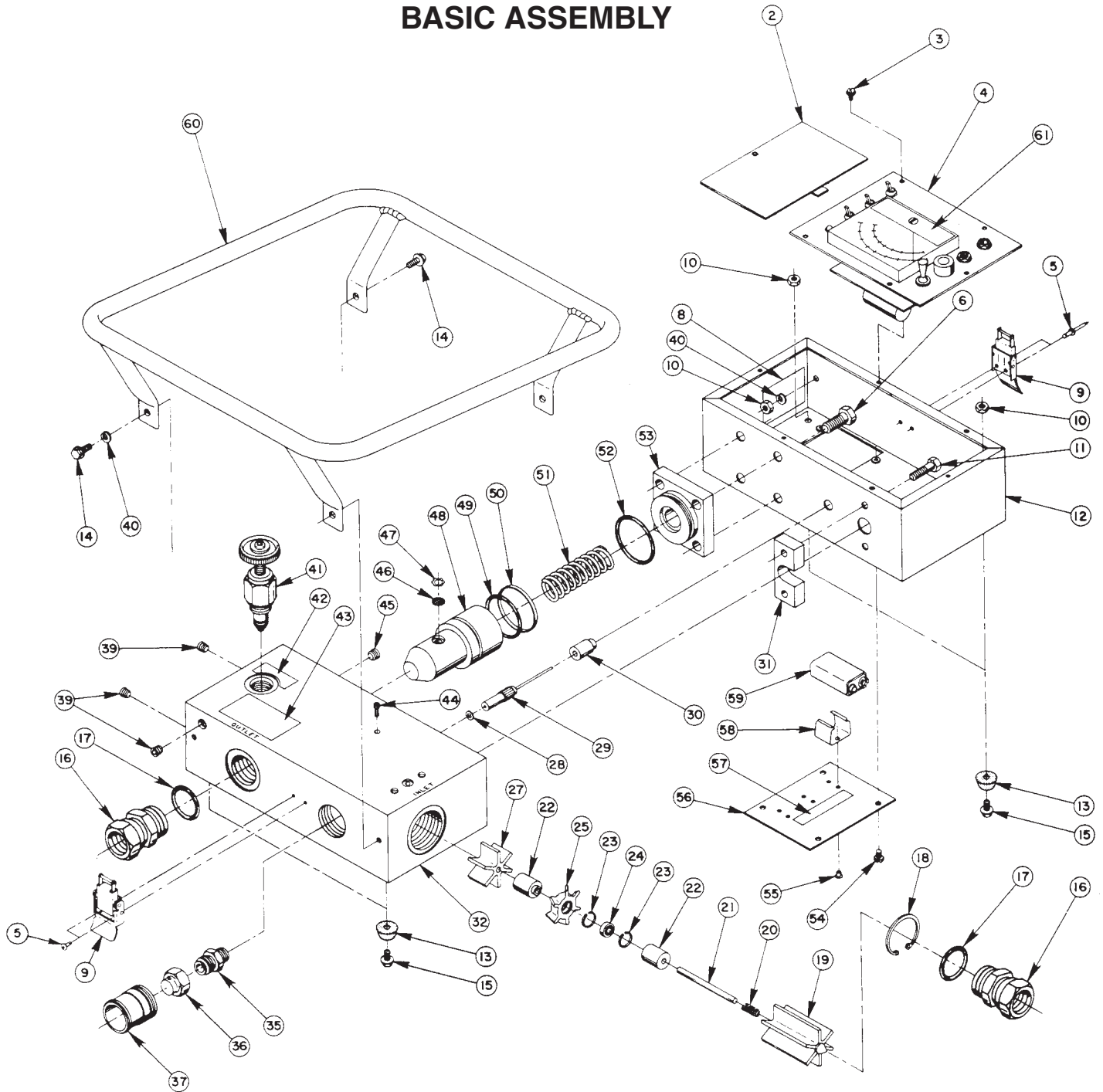
4221 "B"
ACTP-1008
ACTP-1009
CAS-10280

D-01074AA
D-01169AA
HT75 "B"
MEL-10005

IN-LINE HYDRAULIC FLOW TESTER

75 GPM, 300 l/min.

BASIC ASSEMBLY



Parts List, Form No. 100478, Back sheet 1 of 3

Item No.	Part No.	No. Req'd	Description	Item No.	Part No.	No. Req'd	Description
2	37493BK2	1	Door	39	251222	3	Pipe Plug (1/16 NPTF)
3	16972	6	Self-tapping Screw (#4-24 x 1/4 Lg.)	40	10241	4	Lockwasher (For #10 bolt)
4	42822	1	Meter Panel (See Sheet 3 of 3)	41	16882	1	Cartridge Relief Valve (See sheet 2 of 3)
5	16417	4	Pop Rivet	42	202076	1	Decal (Increase/Decrease)
6	16206	4	Hex Hd. Cap Screw (5/16-18 x 7/8 Lg.; Torque to 15/20 ft. lbs.)	43	16678	1	Warning Decal
8	16595	1	Recording Decal	44	17458	1	Soc. Hd. Cap Screw (#4-40 x 3/8 Lg.; Torque to 4/6 in. lbs.)
9	16416	2	Catch	45	15499	1	Pipe Plug (1/8 NPTF)
10	10197	4	Hex Nut (#10-24 UNC)	46	207166	1	Filter Disk
11	10009	2	Hex Hd. Cap Screw (1/4-20 UNC x 3/4 Lg.; Torque to 80/85 in. lbs.)	47	11893	1	Retaining Ring (For 7/16 hole)
12	51087BK2	1	Electronic Box	48	36797	1	Poppet Filter Assembly (Includes items 46 & 47)
13	16429	4	Recessed Bumper	49	*16684	1	O-ring (1-3/16 x 1" x 3/32)
14	16467	4	Hex Hd. Cap Screw (#10-24 x 1/2 Lg.)	50	*16683	1	Glyd Ring
15	15415	4	Hex Hd. Cap Screw (#10-24 x 3/8 Lg.)	51	16970	1	Compression Spring (3/4 O.D. x 1-7/8 Lg.)
16	12709	2	Union Adapter	52	*16685	1	Disogrin O-ring (1-3/8 x 1-1/4 x 1/16)
17	*12745	2	O-ring (1-5/32 x .924 x .116)	53	36798	1	End Cap
18	16686	1	Retaining Ring (For 7/8 shaft)	54	17486	4	Machine Screw (#6-32 x 3/16 Lg.)
19	36801	1	Flow Straightener (Long)	55	16422	6	Wide Roll Eyelet
20	16462	1	Compression Spring (1/4 O.D. x 3/8 Lg.)	56	37494BK2	1	Battery Panel
21	16728	1	Locating Pin	57	16594	1	Battery Identification Decal
22	202532	2	Spacer	58	16421	3	Battery Holder
23	16687	2	Retaining Ring (For 3/8 shaft)	59	16543	3	Battery (9 volt)
24	16688	1	Ball Bearing	60	50960BK2	1	Wrap Around Bar Assembly
25	202619	1	Turbine Rotor	61	203619	1	Decal
27	36802	1	Flow Straightener (Short)		60419	1	Complete Basic Tester (Consists of items 2-61)
28	†16971	1	Nylon Washer (.040 thk; used on all testers before 4-1-82)	PARTS INCLUDED BUT NOT SHOWN			
	††207339	1	Nylon Washer (.020 thk; used on all testers after 4-1-82)	251772	1	Decal	
29	†16479	1	Magnetic Pickup (Used on all testers before 4-1-82)	253179	3	Protective Battery Cap	
	††302827	1	Magnetic Pickup (Used on all testers after 4-1-82)	OPTIONAL ACCESSORIES (Included with some models but not shown)			
30	202128	1	Guide Spacer	Y-21-10	2	LP Hose (ACTP-1009, D-01169AA)	
31	202533	1	Spacer	Y-21-13B	1	12" Hose w/ Adapters (ACTP-1009, D-01169AA)	
32	60363	1	Flow Block	37045	1	Auxiliary Power Cord (CAS-10280)	
35	21837	1	Nipple	203214	2	Flow Test Fitting (CAS-10280)	
36	*16230	1	Rupture Disc (Torque to 25/32 ft. lbs.)	203220	2	Adapter (D-01074AA)	
37	202534	1	Hose Connector	203223	2	Double "F" Union (D-01074AA)	

Part numbers marked with an asterisk (*) are contained in Repair Kit No. 300311.

†Must be ordered as a set.

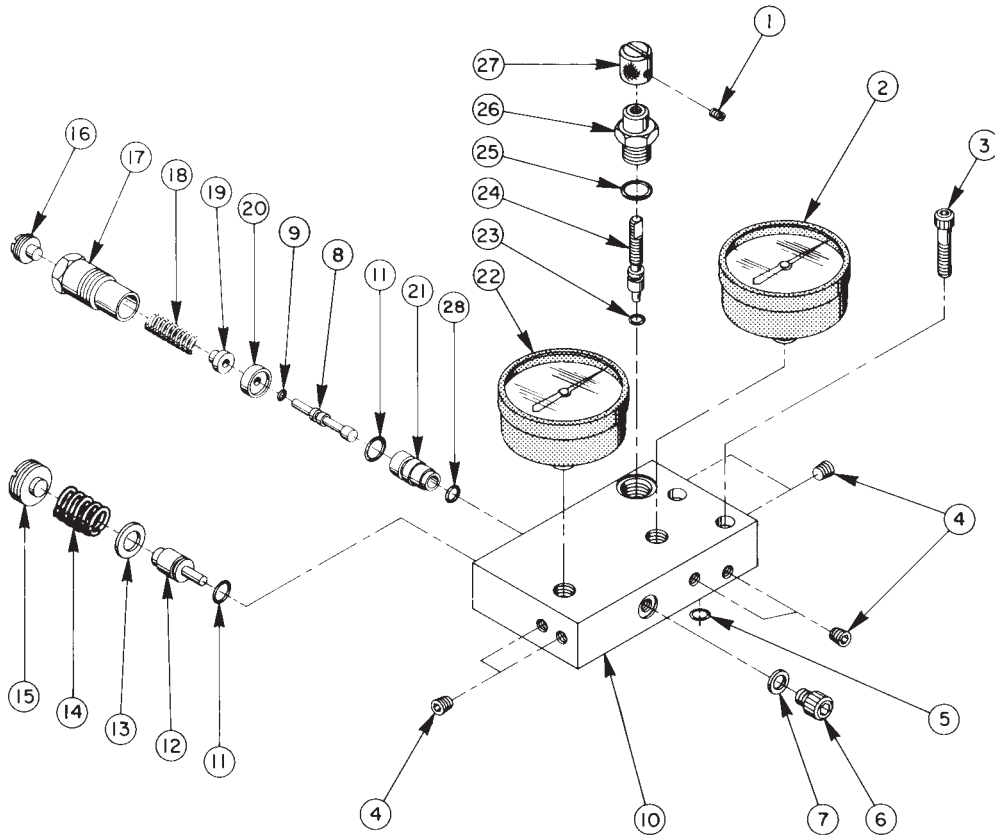
††Must be ordered as a set.

Refer to any operating instructions included with this product for detailed information about operation, testing, disassembly, reassembly, and preventive maintenance.

Items found in this parts list have been carefully tested and selected. **Therefore: Use only genuine replacement parts!**

Additional questions can be directed to our Technical Services Department.

DUAL PRESSURE GAUGE ASSEMBLY

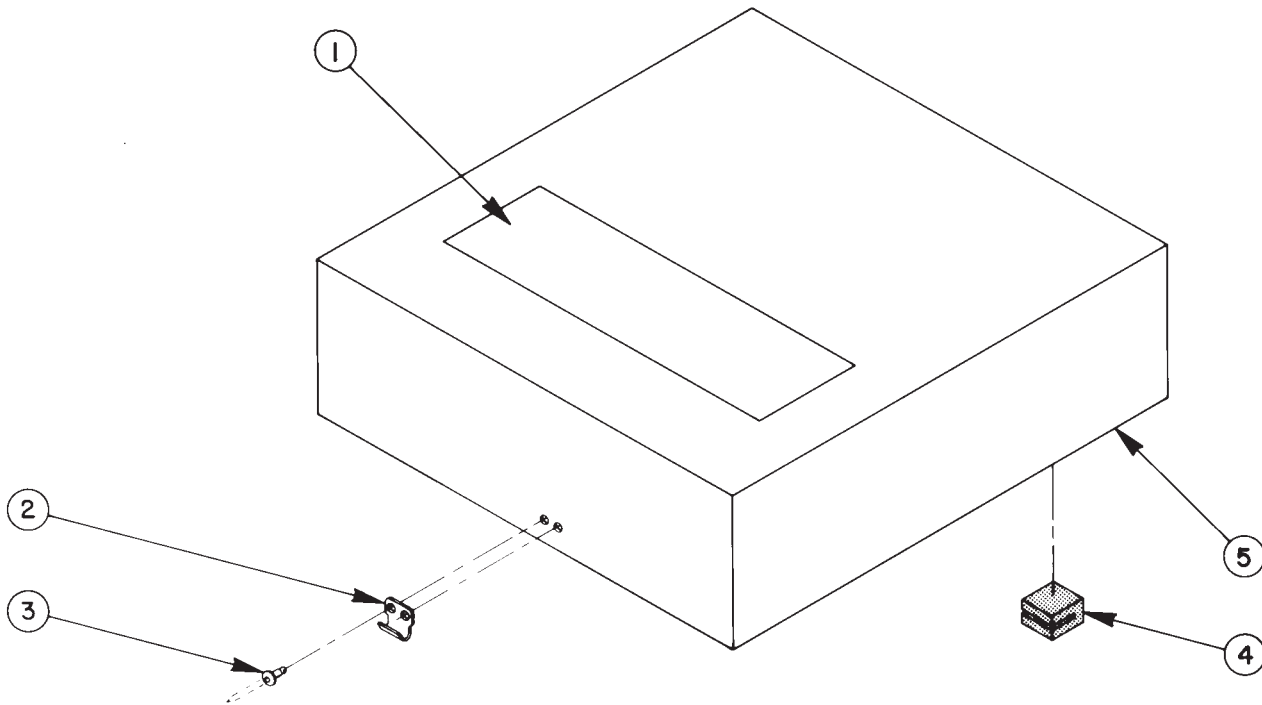


Item No.	Part No.	No. Req'd	Description
1	10132	1	Set Screw (#8-32 UNC x 1/4 Lg.)
2	11637	1	High Pressure Gauge
	17967	1	Liquid-filled Gauge (0-6000 PSI; optional)
3	10020	2	Soc. Hd. Cap Screw (1/4-20 UNC x 1-1/4 Lg.)
4	11084	6	Pipe Plug (1/16 NPTF)
5	*10266	1	O-ring (3/8 x 1/4 x 1/16)
6	25683	1	Special Cap Screw
7	*11031	1	Copper Washer (15/32 x 5/16 x 1/32)
8	27786	1	Spool (See Form #102461 for correct installation)
9	*10264	1	O-ring (1/4 x 1/8 x 1/16)
10	50445	1	Dual Gauge Block
11	*10268	2	O-ring (1/2 x 3/8 x 1/16)
12	200021	1	Plunger (See Form #102461 for correct installation)
13	14968	1	Washer (3/4 x 25/64 x 1/16)
14	14979	1	Compression Spring (3/4 O.D. x 1" Lg.)

Item No.	Part No.	No. Req'd	Description
15	200020	1	Plug
16	27850	1	Adjusting Screw
17	33414	1	Spring Retainer
18	13165	1	Compression Spring (3/8 O.D. x 1-1/2 Lg.)
19	27805	1	Spring Button
20	27806	1	Guide Collar
21	27783	1	Guide
22	11636	1	Low Pressure Gauge
	17966	1	Liquid-filled Gauge (0-600 PSI; optional)
23	*10265	1	O-ring (5/16 x 3/16 x 1/16)
24	200686	1	Stem
25	*10300	1	O-ring (5/16 x 15/32 x 5/64)
26	33415	1	Guide
27	200685	1	Knob
28	*12522	1	O-ring (3/8 x 1/4 x 1/16)
	33422	1	Dual Gauge Assembly (Consists of items 1-28)

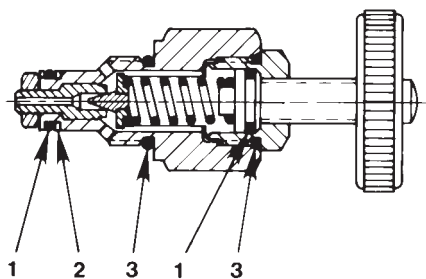
Part numbers marked with an asterisk (*) are contained in Repair Kit No. 300311.

COVER ASSEMBLY



Item No.	Part No.	No. Req'd	Description
1	37717	1	Trade Name Decal (HT75)
	37502	1	Trade Name Decal (MEL-10005)
	304668	1	Trade Name Decal (4221)
	204558	1	Trade Name Decal (CAS-10280)
	203037	1	Trade Name Decal (ACTP-1008, ACTP-1009)
	201825	1	Trade Name Decal (D-01074AA, D-01169AA)
2	16979	2	Catch
3	16417	4	Pop Rivet
4	16420	1	Channel Grommet
5	60365	1	Cover (Unpainted)
	60422BL2	1	Cover Assembly (4221, MEL-10005)
	60422OR9	1	Cover Assembly (HT75)
	60422-AC-OR9	1	Cover Assembly (ACTP-1008, ACTP-1009)
	60422WH2	1	Cover Assembly (CAS-10280)
	60422BR13	1	Cover Assembly (D-01074AA, D-01169AA)

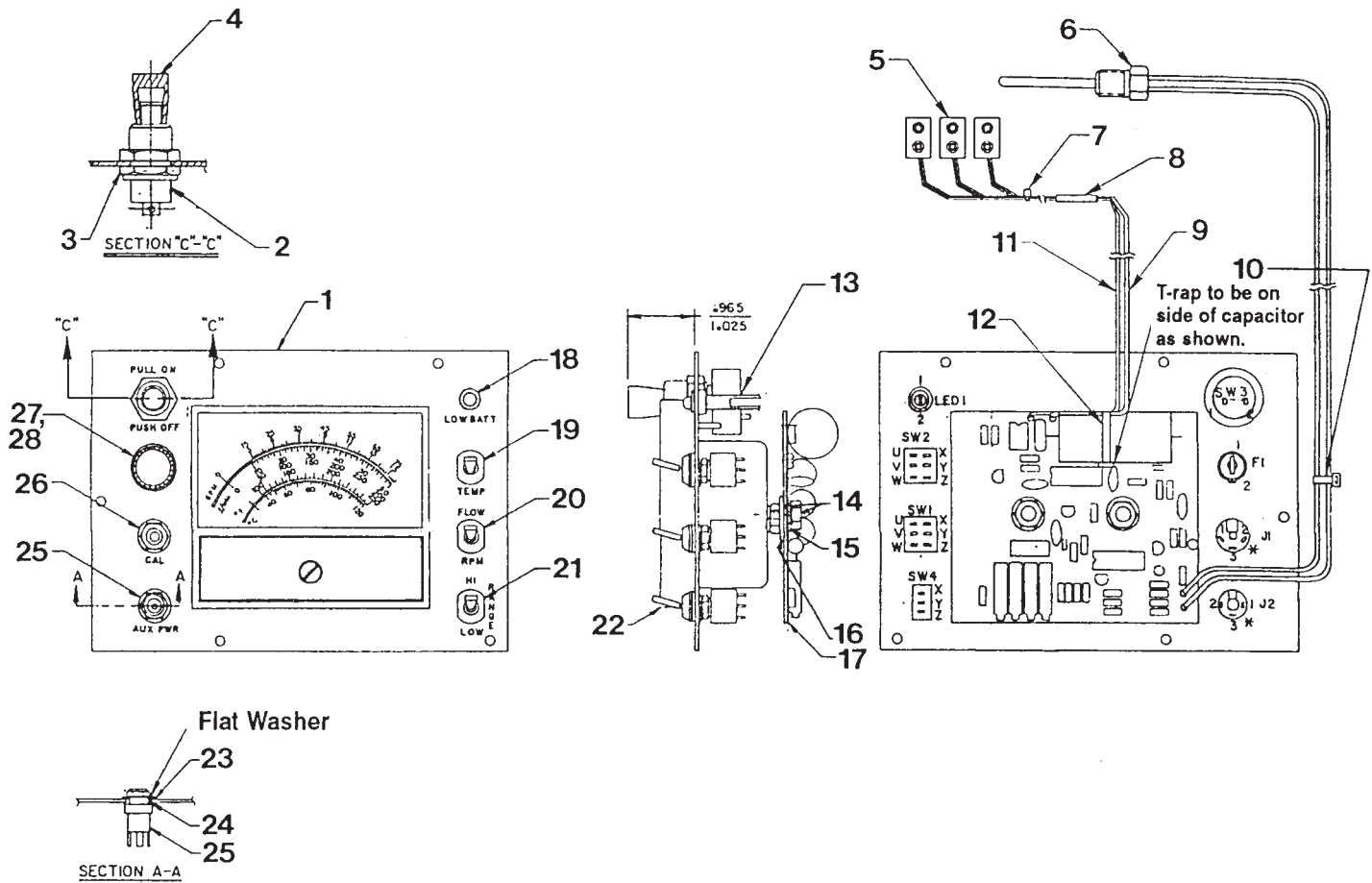
CARTRIDGE RELIEF VALVE ASSEMBLY



Item No.	Part No.	No. Req'd	Description
1	*10268	2	O-ring (1/2 x 3/8 x 1/16)
2	*11863	1	Backup Washer (1/2 x 3/8 x 1/16)
3	*10527	2	O-ring (13/16 x .644 x .087)

Part numbers marked with an asterisk (*) are contained in Repair Kit No. 300311.

METER PANEL ASSEMBLY



Item No.	Part No.	No. Req'd	Description	Item No.	Part No.	No. Req'd	Description
1	51092	1	Meter Panel	16	10440	2	Special Washer
2	45384	1	Switch	17	51728	1	Printed Circuit Board
3	211314	1	Hex Nut	18	251650	1	LED (Red)
4	211305	1	Tip	19	19920	1	Toggle Switch
5	17743	3	Battery Strap	20	17497	1	Toggle Switch
6	16689	1	Thermistor Probe	21	16436	1	Toggle Switch
7	12313	3	Cable Tie	22	37867	1	Meter Assembly
8	234373	2	Solder Sleeve Splice	23	18335	1	Phenolic Washer
9	104394	.67Ft	22 Gauge Wire (Red)	24	18326	1	Swedged Fibre Washer
10	12313	3	Cable Tie	25	16433	1	Jack
11	104392	.67Ft	22 Gauge Wire (Black)	26	16435	1	Phone Jack
12	13156	1	Non-Releaseable Cable Tie	27	18292	1	Fuseholder
13	16782	.1Ft	Heat Shrink Tubing	28	17811	1	Fuse (1/2 Amp, 250V.)
14	104473	2	Brass Nut (#10-32)		42822	1	Meter Panel (Consists of Items 1-28)
15	11456	2	Washer (#10 External Tooth)				