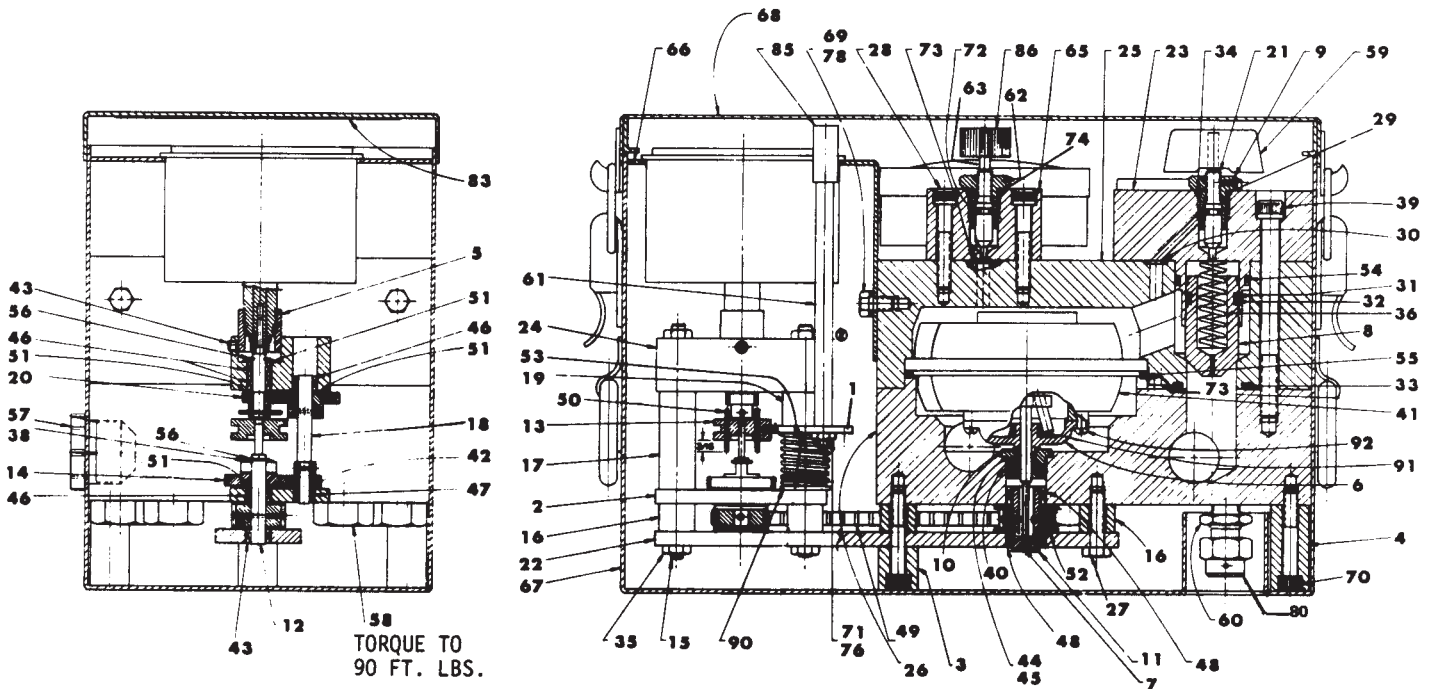
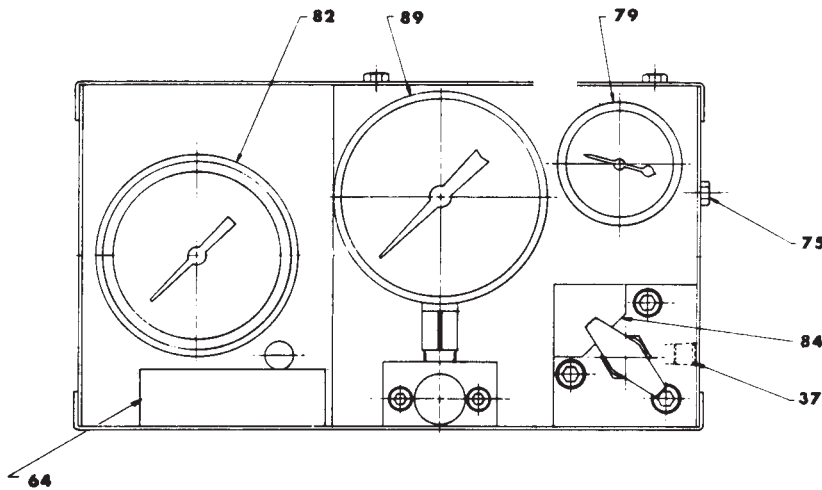


IN-LINE HYDRAULIC TESTER

Max. Capacity: 50 GPM At 5,000 PSI



TORQUE TO
90 FT. LBS.

Refer to any operating instructions included with this product for detailed information about operation, testing, disassembly, reassembly, and preventive maintenance.

Items found in this parts list have been carefully tested and selected.
Therefore: Use only genuine Power Team replacement parts!

Additional questions can be directed to our Technical Services Department.

Sheet No. 1 of 1

Rev. 3 Date: 18 Sept. 1996

Parts List, Form No. 13379, Back sheet 1 of 1

Item No.	Part No.	No. Req'd	Description	Item No.	Part No.	No. Req'd	Description
1	22081	1	Shift Yoke	52	12595	2	Brass Washer (1-1/8 X 1/2 X .077 Thk.)
2	22082	1	Mounting Plage	53	*12803	1	Compression Spring (3/4 O.D. X 2" Lg.)
3	22094	1	Leg-Short (11/16 Dia. X 13/16 Lg.)	54	*12598	1	O-ring (1-5/16 X 1-1/8 X 3/32)
4	22117	2	Leg-Long (11/16 Dia. X 1-17/32 Lg.)	55	*12599	1	O-ring (4-1/4 X 4" X 1/8)
5	23010	1	Tachometer Drive	56	12657	2	Retaining Ring (1/4 Shaft)
6	23023	1	Gear Plate	57	12672	2	Cap Plug (1-1/16-12)
7	23260	1	Drive Shaft Ass'y	58	12720	5	Hex Hd. Cap Screw (5/8-11 X 2-3/4 Lg.)
8	25559	1	Poppet	59	12721	1	Knob
9	24463	1	Nylon Insert	60	21837	1	Nipple
9	26571	1	Tapped Guide	61	28616	1	Push Rod
9	10587	1	Hex Socket Set Screw (#8-32 X 3/16 Lg.)	62	26570	1	Guide
10	25564	1	Shaft Seal	63	25737	1	Regulator Valve Stem
11	25566	1	Drive Ass'y	64	25745	1	Caution Decal
12	25613	1	Driven Ass'y	65	32443	1	Gauge Block
13	25626	1	Clutch Drive	66	34117	1	Panel
14	25641	1	Spur Gear	67	50340	1	Case
15	25703	2	Tie Rod	68	40844	1	Cover
16	25704	4	Spacer	69	10005	2	Hex Hd. Cap Screw (1/4-20 UNC X 1/2 Lg.)
17	25705	2	Spacer	70	10022	3	Soc. Hd. Cap Screw (1/4-20 UNC X 1-1/2 Lg.)
18	25707	1	Idler Gear Ass'y	71	10197	1	Hex Machine Screw Nut (#10-24 UNC)
19	25729	1	Sleeve	72	*10265	1	O-ring (5/16 X 3/16 X 1/16)
20	25732	1	Tachometer Drive Ass'y	73	*10266	2	O-ring (3/8 X 1/4 X 1/16)
21	25738	1	Regulator Valve Stem	74	*10300	1	O-ring (5/8 X 15/32 X 5/64)
22	31939	1	Shift Support	75	10004	3	Hex Hd. Cap Screw (1/4-20 UNC X 3/8 Lg.)
23	32439	1	Body-Flow Control	76	11108	1	Lockwasher (#10 External Tooth)
24	32517	1	End Plate	77	*11210	1	Snap Washer (Not Shown)
25	50308	1	Upper Body	78	11351	2	Lockwasher (1/4 External Tooth)
26	50309	1	Lower Body	79	11490	1	Temperature Gauge
27	10017	1	Hex Hd. Cap Screw (1/4-20 UNC X 1" Lg.)	80	16230	1	Safety Disc Ass'y
28	10022	2	Soc. Hd. Cap Screw (1/4-20 UNC X 1-1/2 Lg.)	80	12553	1	Tachometer (0-10 & 0-50 GPM)
29	*10265	1	O-ring (5/16 X 3/16 X 1/16)	83	12652	1	Instruction Decal
30	*10266	1	O-ring (3/8 X 1/4 X 1/16)	84	12656	1	Decal (Increase-Decrease)
31	*10275	1	O-ring (15/16 X 3/4 X 3/32)	85	14248	1	Knob
32	*14489	1	Backup Ring (15/16 X 3/4 X .048)	86	12723	1	Knob
33	*10280	1	O-ring (1-3/8 X 1-1/8 X 1/8)	87	12709	2	Adapter Union (Not Shown)
34	*10300	1	O-ring (5/8 X 15/32 X 5/64)	88	*12745	2	O-ring Adapter Union (1-5/32 X .924 X .116; Not Shown)
35	10382	4	Hex. Jam Nut (1/4-28 UNF)	89	12972	1	Pressure Gauge (0-5000 PSI)
36	*10367	1	Compression Spring (1/2 O.D. X 2" Lg.)	90	26805	1	Spring Retainer
37	10427	1	Hex Female Drive Plug (1/8 NPTF)	91	13440	1	Roller
38	10442	1	Copper Washer (3/8 X 1/4 X 1/32)	92	13441	2	Fillister Hd. Mach. Slotted Screw (#10-32 X 1/4 Lg.)
39	11030	3	Socket Hd. Cap Screw (5/16-18 X 3-1/2 Lg.)				
40	*11284	1	O-ring (11/16 X 9/16 X 1/16)				
41	11489	1	Measuring Chamber				
42	11523	1	Brass Washer (13/64 X 1/2 X 3/64)				
43	12131	1	Hex Socket Set Screw (10-24 UNC X 3/16)				
44	*12556	1	Glyd Ring				
45	*12557	1	O-ring (11/32 X 7/32 X 1/16)				
46	12563	5	Needle Bearing				
47	12564	1	Needle Bearing				
48	12565	2	Needle Bearing				
49	12569	1	Timing Belt				
50	12593	2	Roll Pin (1/16 Dia. X 3/4 Lg.)				
51	12594	6	Brass Washer (9/16 X 1/4 X 3/64)				

Alternate Parts for Y91 (Metric) Tester

79-Y91	11638	1	Temp. Gauge (-5° to 120° C)
82-Y91	26493	1	Tachometer (0-40 & 0-200 L/Min)
89-Y91	13016	1	Pressure Gauge (0-350 KG/CM ²)

Part numbers marked with an asterisk (*) are contained in Repair Kit #27340.

Note: To convert to 4235 (Model C) single speed, see conversion kit #300915.

Note: Shaded areas reflect last revision(s) made to this form.

