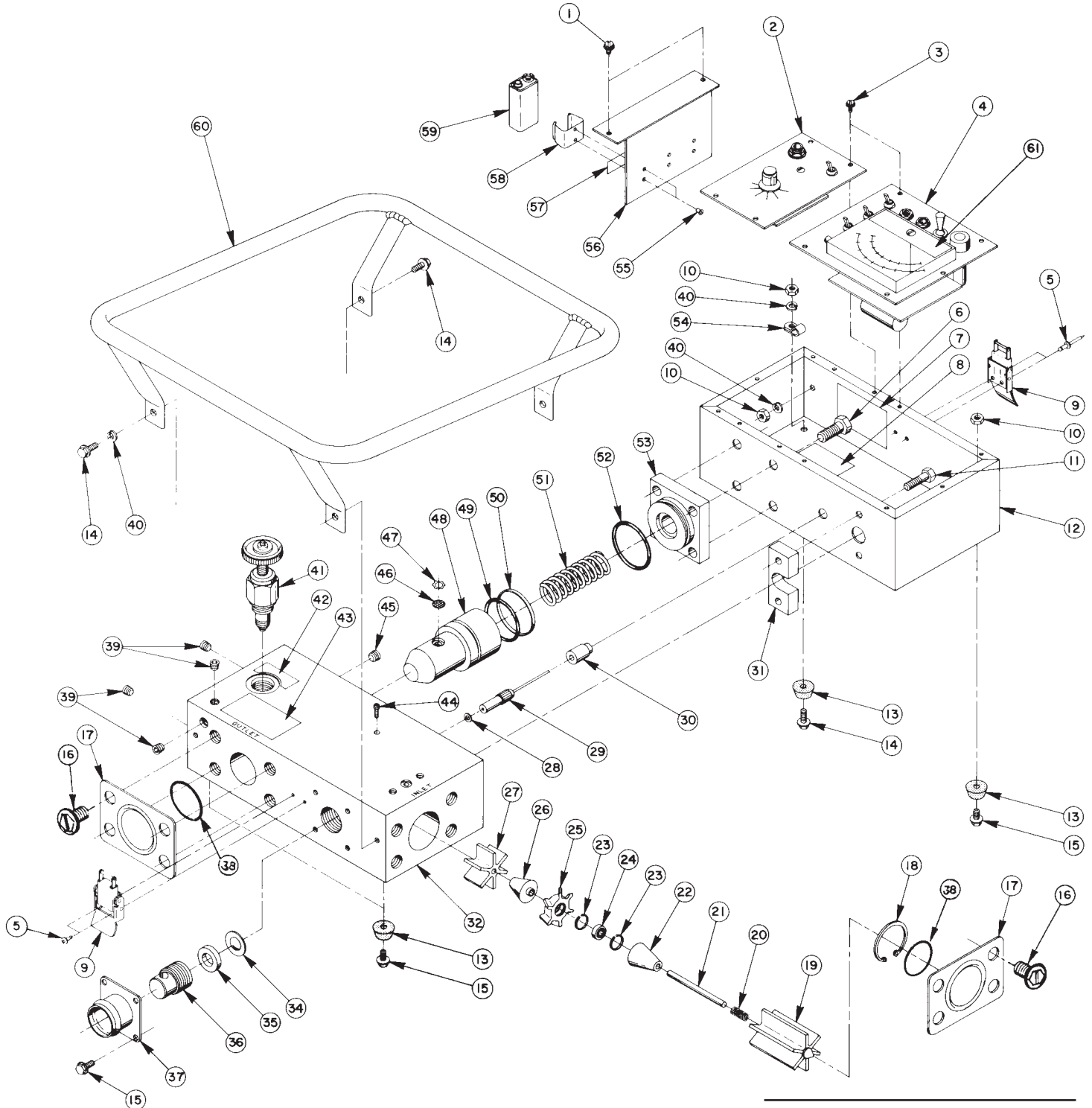


Parts List for:

**4224
HT200P**

IN-LINE HYDRAULIC FLOW TESTER
200 GPM, 750 l/min



Parts List, Form No. 100476, Back sheet 1 of 3

Item No.	Part No.	No. Req'd	Description	Item No.	Part No.	No. Req'd	Description
1	17486	2	Machine Screw (#6-32 UNC X 1/4 Lg.)	31	202030	1	Spacer
2	37526	1	Tachometer Panel Ass'y (See back sheet 3 of 3)	32	60343	1	Flow Block
3	16972	9	Self-Tapping Screw (#4-24 X 1/4 Lg.)	34	16542	1	Rupture Disc
4	42821	1	Meter Panel (See sheet 3 of 3)	35	16541	1	Hold Down Ring
5	16417	4	Pop Rivet	36	36621	1	Burst Disc Retainer (Torque to 100/110 ft. lbs.)
6	16932	4	Hex Hd. Cap Screw (3/8-16 X 1" Lg.; Torque to 31/41 ft. lbs.)	37	202166BK2	1	Hose Connector
7	203872	1	Calibration Decal	38	11303	2	O-ring (1-7/8 X 1-11/16 X 3/32)
8	*16595	1	Recording Decal	39	251222	4	Pipe Plug (1/16 NPTF)
9	16416	2	Catch	40	10241	5	Lockwasher (for #10 bolt)
10	10197	4	Hex Nut (#10-24 UNC)	41	16882	1	Cartridge Relief Valve (See Sheet 2 of 3)
11	10017	2	Hex Hd. Cap Screw (1/4-20 UNC X 1" Lg.; Torque to 80/85 in. lbs.)	42	*202076	1	Decal (Increase/Decrease)
12	51086BK2	1	Electronic Box	43	16678	1	Warning Decal
13	16429	4	Recessed Bumper	44	17458	1	Soc. Hd. Cap Screw (#4-40 X 3/8 Lg.; Torque to 4/6 in. lbs.)
14	16467	5	Hex Hd. Cap Screw (#10-24 X 1/2 Lg.)	45	15499	1	Pipe Plug (1/8 NPTF)
15	15415	4	Hex Hd. Cap Screw (#10-24 X 3/8 Lg.; Torque to 20/25 in. lbs.)	46	207166	1	Filter Disk
16	16444	8	Button Plug(1/2-13UNC)	47	11893	1	Retaining Ring (for 7/16" hole)
17	16443	2	Flange Cap	48	36520	1	Poppet Filter Assembly (includes Items 46 & 47)
18	10712	1	Retaining Ring (for 1-1/2 hole)	49	*14739	1	O-ring (1-11/16 X 1-1/2 X 3/32)
19	36523	1	Flow Straightener (long)	50	*16447	1	Glyd Ring
20	16462	1	Compression Spring (1/4 O.D. X 3/8 Lg.)	51	16969	1	Compression Spring (.970 O.D. X 3" Lg.)
21	24758	1	Locating Pin	52	*16418	1	Disogrin O-ring (1-7/8 X 1-11/16 X 3/32)
22	202032	2	Cone (long)	53	36521	1	End Cap
23	16455	2	Retaining Ring (for 1/2 hole)	54	16074	1	Cable Clamp
24	16454	1	Ball Bearing	55	16422	6	Wide Roll Eyelet
25	202036	1	Turbine Rotor	56	37491BK2	1	Battery Panel
26	202031	1	Cone (short)	57	16594	1	Battery Ident. Decal
27	36522	1	Flow Straightener (short)	58	16421	3	Battery Holder
28	†16971	1	Nylon Washer (.040 thk.; used on all testers before 4-1-82)	59	16543	3	Battery (9 Volt)
	††207339	1	Nylon Washer (.020 thk; used on all testers after 4-1-82)	60	50955BK2	1	Wrap Around Bar Ass'y
29	†16479	1	Magnetic Pickup (used on all testers before 4-1-82)	61	203650	1	Decal
	††302827	1	Magnetic Pickup (used on all testers after 4-1-82)				
30	202128	1	Guide Spacer				

PARTS INCLUDED BUT NOT SHOWN

251772	1	Decal
60423	1	Complete Basic Tester (consists of Items 1-61)

Part numbers marked with an asterisk (*) are contained in Repair Kit #300310.

†Must be ordered as a set.

††Must be ordered as a set.

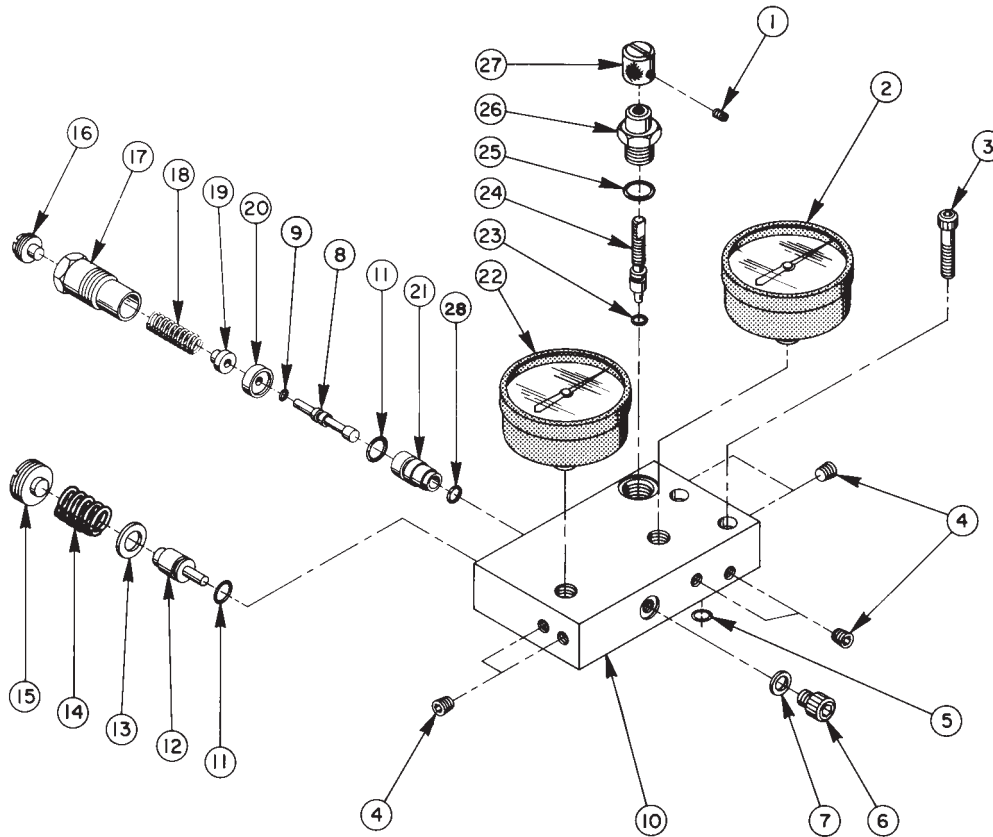
Refer to any operating instructions included with this product for detailed information about operation, testing, disassembly, reassembly, and preventive maintenance.

Items found in this parts list have been carefully tested and selected. **Therefore: Use only genuine replacement parts!**

Additional questions can be directed to our Technical Services Department.

Note: Shaded areas reflect last revision(s) made to this form.

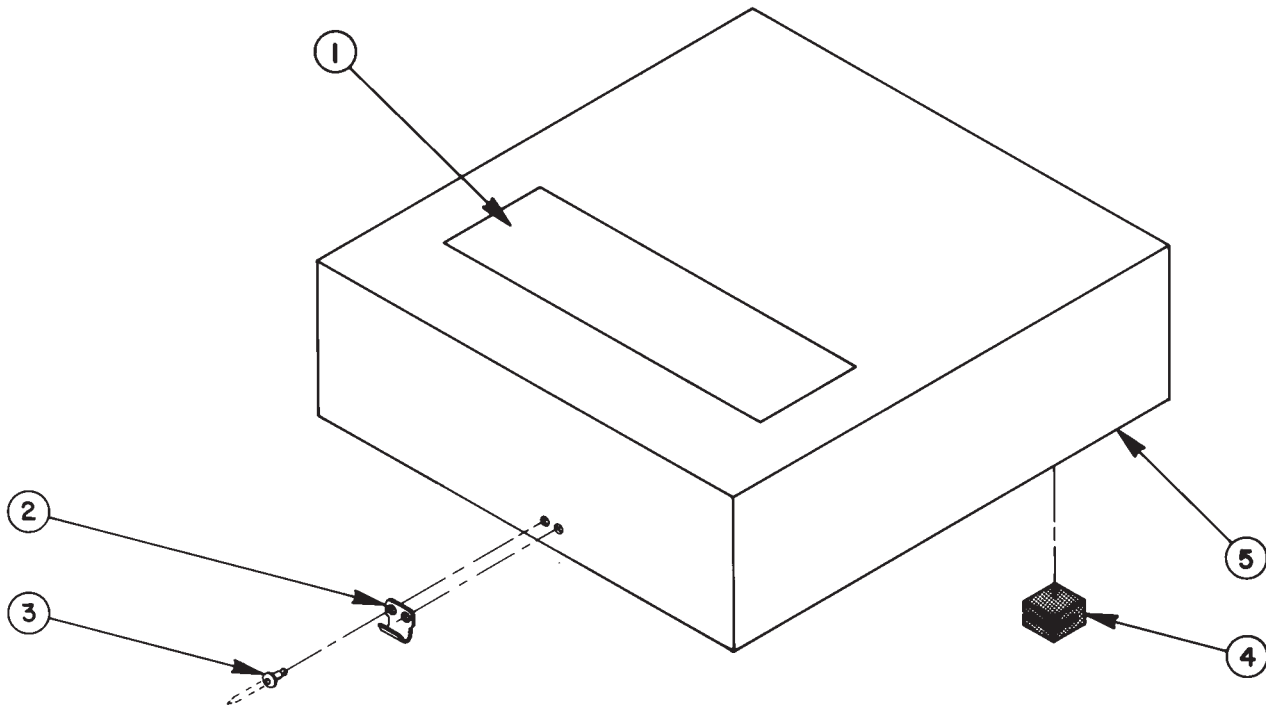
DUAL PRESSURE GAUGE ASSEMBLY



Item No.	Part No.	No. Req'd	Description	Item No.	Part No.	No. Req'd	Description
1	10132	1	Set Screw (#8-32 UNC X 1/4)	15	200020	1	Plug
2	11637	1	High Pressure Gauge	16	27850	1	Adjusting Screw
	17967	1	Liquid-filled Gauge (0-6000 PSI; optional)	17	33414	1	Spring Retainer
3	10020	2	Soc. Hd. Cap Screw (1/4-20 UNC X 1-1/4 Lg.)	18	13165	1	Compression Spring (3/8 O.D. X 1-1/2 Lg.)
4	11084	6	Pipe Plug (1/16 NPTF)	19	27805	1	Spring Button
5	*10266	1	O-ring (3/8 X 1/4 X 1/16)	20	27806	1	Guide Collar
6	25683	1	Special Cap Screw	21	27783	1	Guide
7	*11031	1	Copper Washer (15/32 X 5/16 X 1/32)	22	11636	1	Low Pressure Gauge
8	27786	1	Spool (See Form #102461 for correct installation)	22	17966	1	Liquid-filled Gauge (0-600 PSI; optional)
9	*10264	1	O-ring (1/4 X 1/8 X 1/16)	23	*10265	1	O-ring (5/16 X 3/16 X 1/16, -008)
10	50445	1	Dual Gauge Block	24	200686	1	Stem
11	*10268	2	O-ring (1/2 X 3/8 X 1/16)	25	*10300	1	O-ring (5/8 X 15/32 X 5/64, -906)
12	200021	1	Plunger (See Form #102461 for correct installation)	26	33415	1	Guide
13	14968	1	Washer (3/4 X 25/64 X 1/16)	27	200685	1	Knob
14	14979	1	Compression Spring (3/4 O.D. X 1" Lg.)	28	*12522	1	O-ring (3/8 X 1/4 X 1/16, -010)
					33422	1	Dual Gauge Ass'y (consists of Items 1-28)

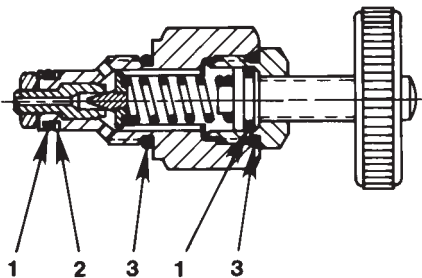
Part numbers marked with an asterisk (*) are contained in Repair #300310.

COVER ASSEMBLY



Item No.	Part No.	No. Req'd	Description
1	38330	1	Trade Name Decal (HT200P)
	304670	1	Trade Name Decal (4224)
2	16979	2	Catch
3	16417	4	Pop Rivet
4	16420	1	Channel Grommet
5	60337	1	Cover (unpainted)
	60425OR9	1	Cover Assembly (For HT200P; consists of Items 1-5)
	60425BL2	1	Cover Assembly (For 4224; consists of Items 1-5)

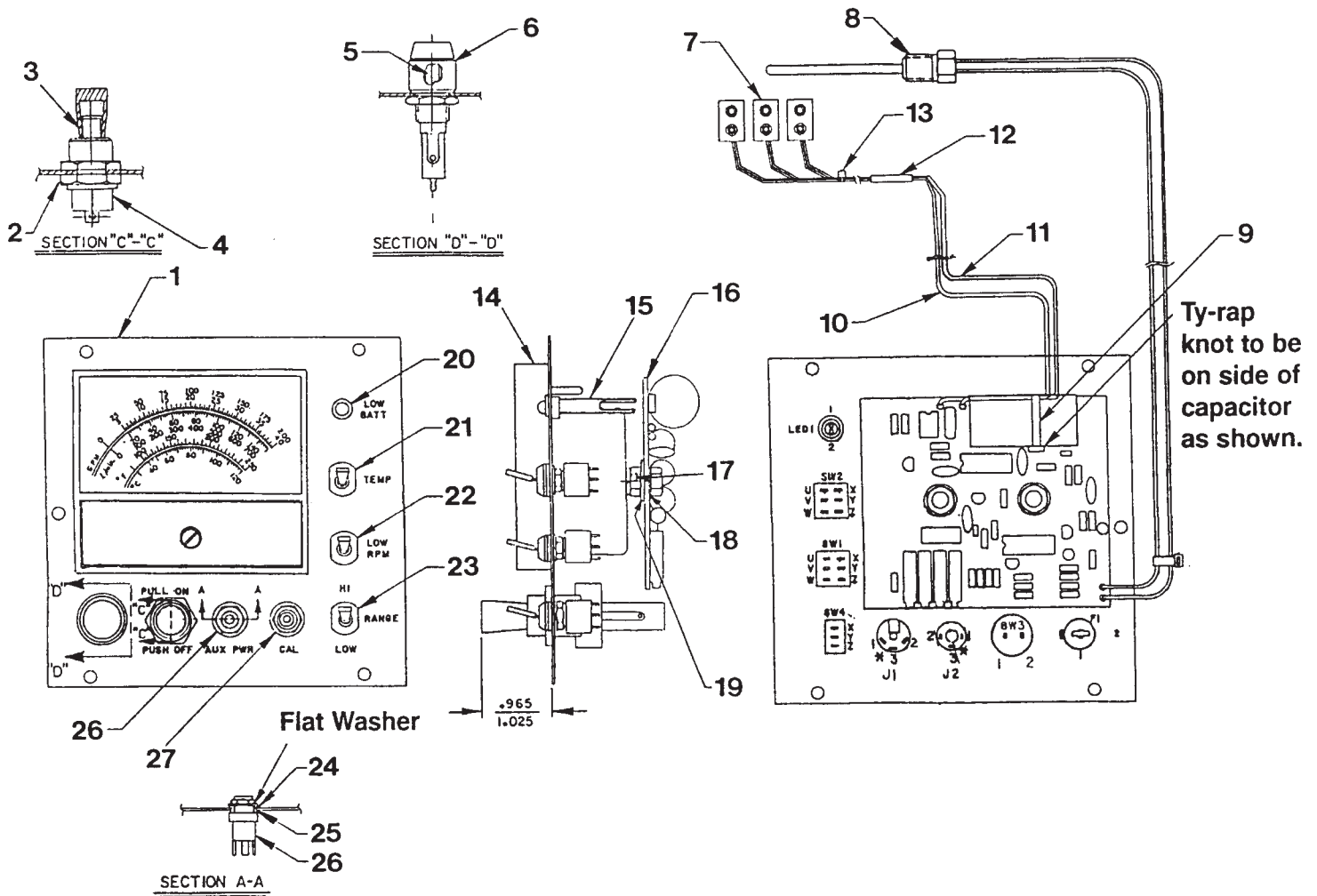
CARTRIDGE RELIEF VALVE ASSEMBLY



Item No.	Part No.	No. Req'd	Description
1	*10268	2	O-ring (1/2 X 3/8 X 1/16)
2	*11863	1	Backup Washer (1/2 X 3/8 X 1/16)
3	*10527	2	O-ring (13/16 X .644 X .087)

Part numbers marked with an asterisk (*) are contained in Repair Kit #300311.

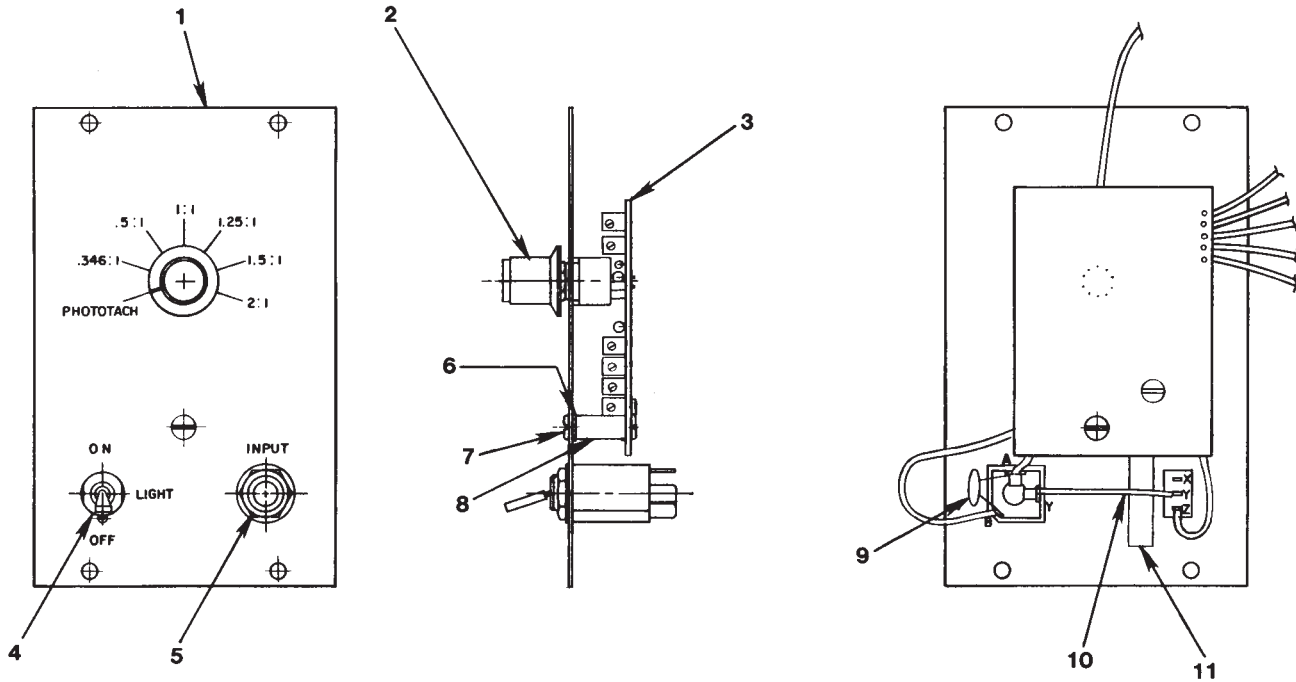
METER PANEL ASSEMBLY



Item No.	Part No.	No. Req'd	Description
1	51091	1	Meter Panel
2	211314	1	Hex Nut
3	211305	1	Tip
4	45384	1	Switch
5	17811	1	Fuse (1/2 Amp, 250 V.)
6	18292	1	Fuseholder
7	17743	3	Battery Strap
8	16445	1	Thermistor Probe
9	13156	1	Non-releaseable Cable Tie
10	104392	.67 Ft.	Wire (red, 22 ga.)
11	104394	.67 Ft.	Wire (red, 22 ga.)
12	234373	2	Solder Sleeve Splice
13	12313	3	Cable Tie
14	37866	1	Meter Assembly

Item No.	Part No.	No. Req'd	Description
15	16782	.1 Ft.	Heat Shrink Tubing
16	51728	1	Printed Circuit Board
17	104473	2	Brass Hex Nut (#10-32 UNF)
18	11456	2	Washer (#10 external tooth)
19	230491	2	Plain Brass Washer
20	251650	1	LED (red)
21	19920	1	Toggle Switch
22	17497	1	Toggle Switch
23	16436	1	Toggle Switch
24	18335	1	Phenolic Washer
25	18326	1	Swedged Fibre Washer
26	16433	1	Jack
27	16435	1	Phone Jack
	42821	1	Meter Panel (consists of Items 1-27)

TACHOMETER PANEL ASSEMBLY



Item No.	Part No.	No. Req'd	Description
1	42854	1	Tach Panel
2	17561	1	Knob
3	42850	1	Circuit Board Ass'y
4	16436	1	Toggle Switch
5	17562	1	Jack
6	15906	2	Washer
7	17563	2	Machine Screw
8	16020	1	Standoff
9	18294	1	Ceramic Capacitor
10	17551	.16 ft.	Hookup Wire
11	205474	1	Logo Decal