



SPX Corporation
 655 Eisenhower Drive
 Owatonna, MN 55060-0995 USA
 Phone: (507) 455-7000
 Tech. Serv.: (800) 533-6127
 Fax: (800) 955-8329
 Order Entry: (800) 533-6127
 Fax: (800) 283-8665
 International Sales: (507) 455-7223
 Fax: (507) 455-7063

Parts List for:

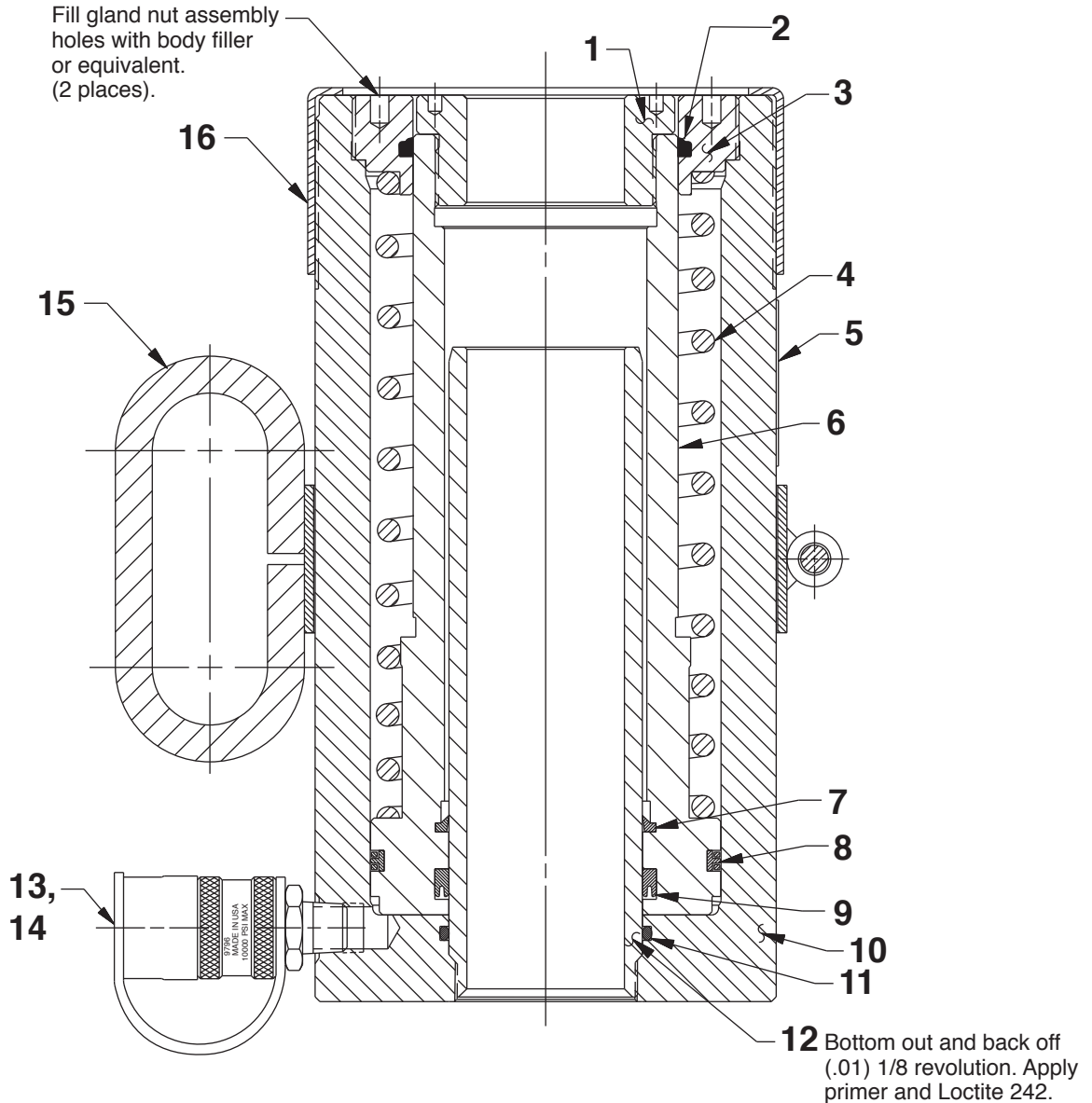
4140

MODEL B
SINGLE-ACTING, SPRING RETURN
HYDRAULIC CYLINDER
 Maximum Capacity: 61.5 Tons at 10,000 PSI



WARNING:

To help avoid personal injury, **DO NOT** disassemble cylinder. The retainer nut is loaded with 120 lbs. of spring force, and releasing this spring force improperly could result in serious bodily harm. **All** repairs must be done by an authorized OTC Hydraulic Service Center.



Sheet No. 1 of 1

Rev. 4 Date: 6 July 2009

Parts List, Form No. 101879, Back sheet 1 of 1

Item No.	Part No.	No. Req'd	Description
1	34250	1	Plain Insert
2	2001421	1	Rod Wiper 4.122 x 3.625 Molythane
3	46720	1	Spring Retainer Nut (NOTE: Loaded with 120 lbs. spring force)
4	213200	1	Compression Spring (4.704 O.D. X 11-1/2" Lg.)
5	52872	1	Piston Rod
6	351559	1	Trade Name Decal
7	*207721	1	Rod Wiper
	†206123	1	Rod Wiper
	•252063	1	Rod Wiper
8	*14334	1	T-seal (Piston) & Backup Rings (Smooth side of Backup Ring must be against Seal)
	†19245	1	T-seal (Piston) & Backup Rings (Smooth side of Backup Ring must be against Seal)
	•252062	1	T-seal (Piston) & Backup Rings (Smooth side of Backup Ring must be against Seal)
9	*14333	1	U-cup
	†206145	1	U-cup
	•252061	1	U-cup
10	65690	1	Cylinder Body

Item No.	Part No.	No. Req'd	Description
11	•*†19042	1	O-ring (2.87 X 2.62; Viton)
12	421605	1	Cylinder Standpipe Assembly (Bottom out and back off (.01) 1/8 revolution. Apply primer and Loctite 242.)
13, 14	9796	1	Cylinder Half Coupler w/ Dust Cap
15	420488BL2	1	Cylinder Lift Handle
16	42194	1	Thread Protector

PARTS INCLUDED BUT NOT SHOWN

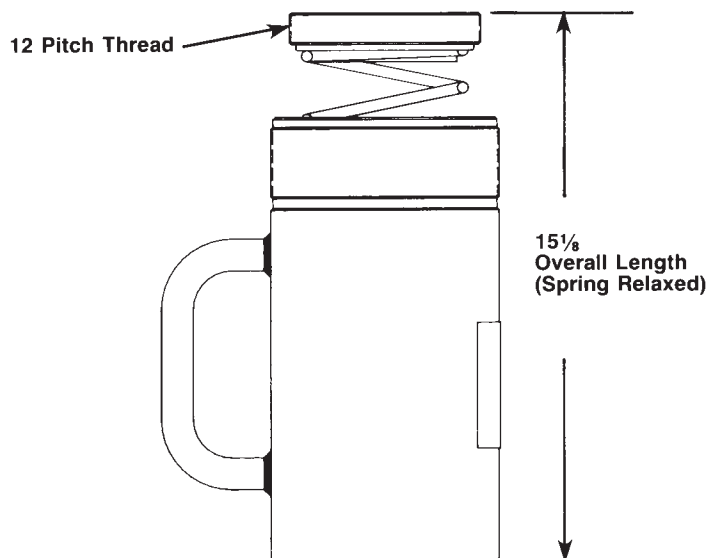
•*†203908	1	Warning Decal
†205724	1	Decal (Viton)
•252058	1	O-ring (3/4 X 9/16 X 3/32; For Coupler)
•251880	1	O-ring (1" X 3/4 X 1/8; For Coupler)

Part numbers marked with an asterisk (*) are contained in Standard Repair Kit No. 300477.
 Part numbers marked with a dagger (†) are contained in Viton Seal Kit No. 300476.
 Part numbers marked with a bullet (•) are contained in Water Glycol Seal Kit No. 300878.



WARNING:

To help avoid personal injury, **DO NOT** disassemble cylinder. The retainer nut is loaded with 120 lbs. of spring force, and releasing this spring force improperly could result in serious bodily harm. All repairs must be done by an authorized OTC Hydraulic Service Center.



Refer to any operating instructions included with this product for detailed information about operation, testing, disassembly, reassembly, and preventive maintenance.

Items found in this parts list have been carefully tested and selected. **Therefore: Use only genuine OTC replacement parts!**

Additional questions can be directed to our Technical Services Department.