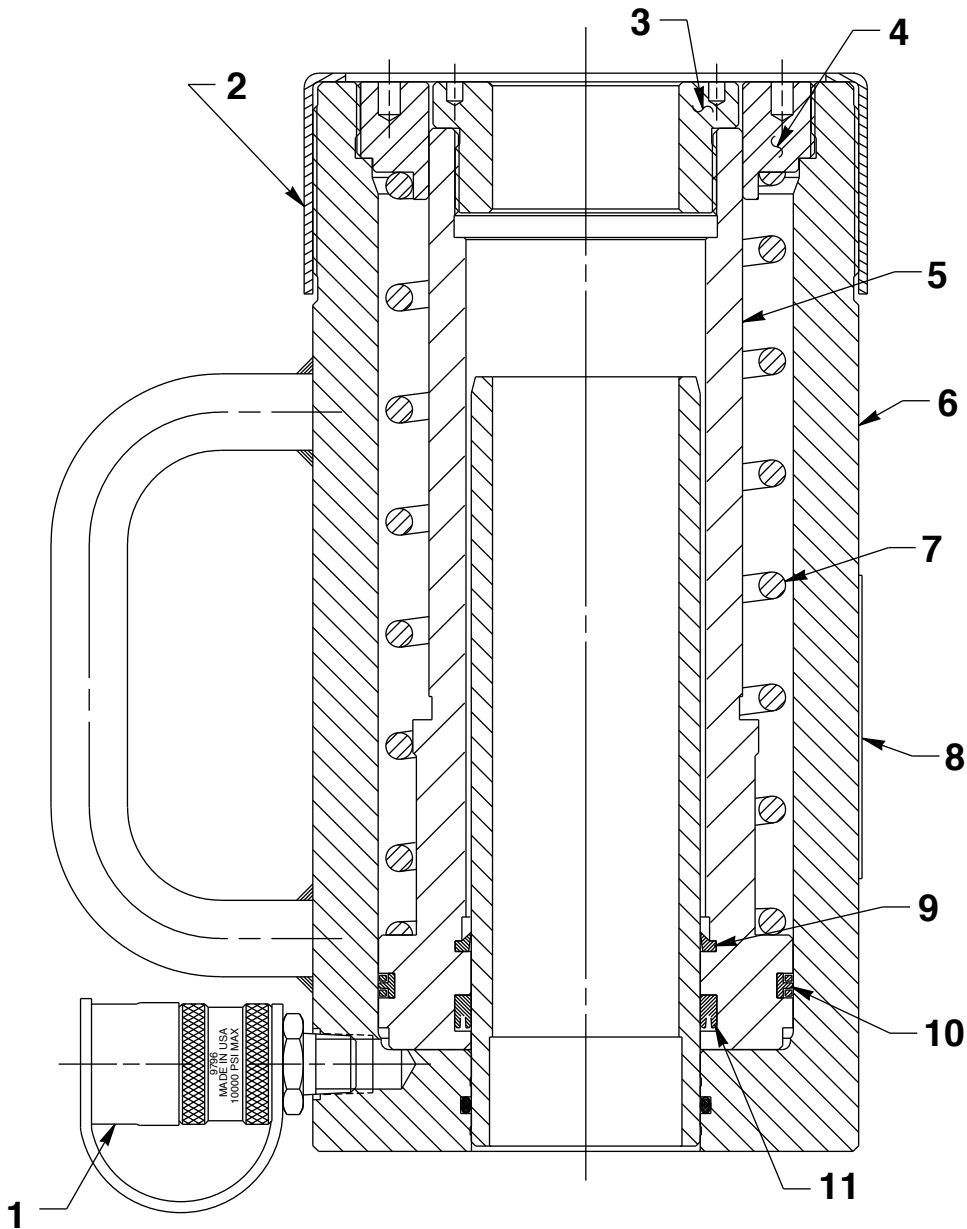


Parts List for:

RH606  
RH606N

## SINGLE-ACTING, SPRING RETURN HYDRAULIC CYLINDER

Max. Capacity: 61.5 Tons at 10,000 PSI



**WARNING:**

To help avoid personal injury, **DO NOT** disassemble cylinder. The retainer nut is loaded with 120 lbs. of spring force, and releasing this spring force improperly could result in serious bodily harm. **All repairs must be done by an authorized Power Team Hydraulic Service Center.**

Sheet No. 1 of 1

Rev. 2 12-7-2010

# Parts List, Form No. 100667, Back sheet 1 of 1

Item No.	Part No.	No. Req'd	Description
1	9796	1	Ram Half Coupler w/ Dust Cap
2	42194	1	Thread Protector
3	34250	1	Plain Insert
4	46720	1	Spring Retainer Nut (NOTE: Loaded with 120 lbs. spring force)
5	52872	1	Piston Rod
6	350992	1	Cylinder Standpipe Assembly (For RH606)
	350991	1	Cylinder Standpipe Assembly (For RH606N)
7	213200	1	Compression Spring (4.704 O.D. X 11-1/2 Lg.)
8	307156	1	Trade Name Decal (For RH606)
	350987	1	Trade Name Decal (For RH606N)
9	*207721	1	Rod Wiper
	†206123	1	Rod Wiper
	•252063	1	Rod Wiper
10	*14334	1	T-seal (Piston) & Backup Rings (Smooth side of Backup Ring must be against Seal)
	†19245	1	T-seal (Piston) & Backup Rings (Smooth side of Backup Ring must be against Seal)
	•252062	1	T-seal (Piston) & Backup Rings (Smooth side of Backup Ring must be against Seal)

Item No.	Part No.	No. Req'd	Description
11	*14333	1	U-cup
	†206145	1	U-cup
	•252061	1	U-cup

### PARTS INCLUDED BUT NOT SHOWN

•*†203908	1	Warning Decal
†205724	1	Decal (Viton)
•252058	1	O-ring (3/4 X 9/16 X 3/32, -113; For Coupler)
•251880	1	O-ring (1" X 3/4 X 1/8, -210; For Coupler)

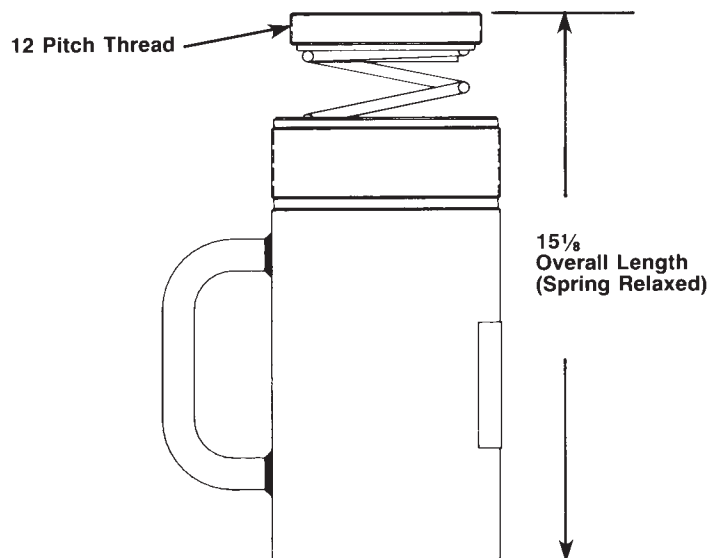
Part numbers marked with an asterisk (\*) are contained in Standard Repair Kit No. 300477.

Part numbers marked with a dagger (†) are contained in Viton Seal Kit No. 300476.

Part numbers marked with a bullet (•) are contained in Water Glycol Seal Kit No. 300878.

## WARNING:

To help avoid personal injury, **DO NOT** disassemble cylinder. The retainer nut is loaded with 120 lbs. of spring force, and releasing this spring force improperly could result in serious bodily harm. All repairs must be done by an authorized Power Team Hydraulic Service Center.



Refer to any operating instructions included with this product for detailed information about operation, testing, disassembly, reassembly, and preventive maintenance.

Items found in this parts list have been carefully tested and selected. **Therefore: Use only genuine Power Team replacement parts!**

Additional questions can be directed to our Technical Services Department.