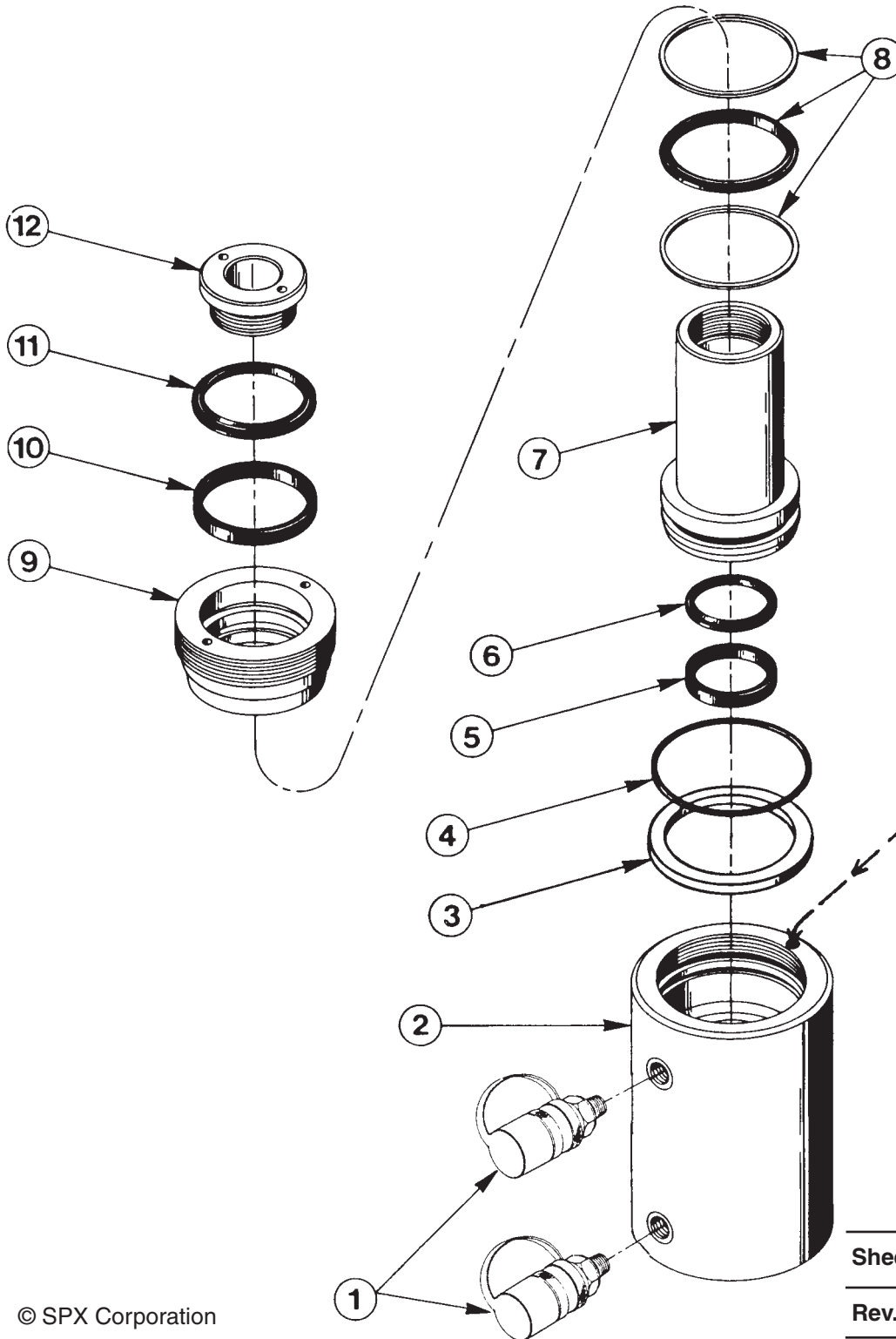


Parts List for:

4134
6V-113
6V-0113
201510-INT

RH605
RH605N
RH605-PFAFF
YH-60A
YH-60A-DN

MODEL B
DOUBLE-ACTING, HOLLOW CENTER
HYDRAULIC CYLINDER
Max. Capacity: 61.5 Tons at 10,000 PSI



**Double-acting
Cylinder
Relief Valve**

See important
! DANGER
statement
on back of
sheet 1 of 1



DANGER: To help avoid possible serious personal injury or death,

- In the event that the cylinder retract port is ever restricted or plugged, a double-acting cylinder relief valve will help prevent excessive pressure from building in the cylinder. **DO NOT** attempt to adjust or service this relief valve! If oil leakage is detected from this relief valve, discontinue use of the cylinder immediately and contact Power Team Technical Services. Only Power Team or OTC Authorized Hydraulic Service Centers should service this relief valve.

Item No.	Part No.	No. Req'd	Description
1	25600	2	Ram Half Coupler (For all except 6V113 & 6V0113)
	1P-2375	2	Coupler Assembly (For 6V113 & 6V0113)
	1P-7437	2	Dust Cap (For 6V113 & 6V0113)
2	51187	1	Cylinder Standpipe Assembly
	58434	1	Cylinder Standpipe Assembly (For RH605N only)
3	††206807	1	O-ring Backup Washer (Teflon, -250)
4	†*14336	1	Disogren O-ring (5-1/4 X 5" X 1/8, -250)
	††104576	1	O-ring (5-1/4 X 5" X 1/8, -250)
5	†*14333	1	Disogren U-cup
	††206145	1	U-cup
6	†*207721	1	Rod Wiper
	††206123	1	Rod Wiper
7	41440	1	Piston
8	†*14334	1	T-Seal (Piston) & Backup Rings (Smooth side of Backup Ring must be against seal.)
	††19245	1	T-Seal (Piston) & Backup Rings (Smooth side of Backup Ring must be against seal.)
9	41442	1	Gland Nut
10	†*14335	1	Disogren U-cup
	††206146	1	U-cup
11	†*28821	1	Rod Wiper (U-cup polypak)
	††206142	1	Rod Wiper
12	34250	1	Plain Insert (For all except 6V113, 6V0113, RH605 & RH605N)
	350002	1	Plain Insert (For 6V113, 6V0113, RH605, RH605N & RH605-PFAFF)

PARTS INCLUDED BUT NOT SHOWN

36550	1	Trade Name Decal (For RH605)
37919	1	Trade Name Decal (For YH-60A)
304482	1	Trade Name Decal (For 4134)
306088	1	Trade Name Decal (For 6V113 & 6V0113)
14801	1	Trade Name Decal (For YH-60A-DN)
309219	1	Trade Name Decal (For RH605N)
14805	1	Tonnage Decal (For YH-60A-DN)
*203908	1	Warning Decal
††19526	2	O-ring (1" X 3/4 X 1/8, -210; for couplers)
††205724	1	Decal (Viton)
203908-CE	1	Warning Decal (For RH605-PFAFF)
252186	1	Trade Name Decal (For RH605-PFAFF)

Part numbers marked with an asterisk (*) are contained in Standard Repair Kit No. 300269.

Part numbers marked with a double dagger (††) are contained in Viton Seal Kit No. 300226.

Part numbers marked with a dagger (†) are contained in Standard Repair Kit No. 6V-7848 (to be used on models 6V-113 and 6V-0113 **only**).

Refer to any operating instructions included with this product for detailed information about operation, testing, disassembly, reassembly, and preventive maintenance.

Items found in this parts list have been carefully tested and selected. **Therefore: Use only genuine replacement parts!**

Additional questions can be directed to our Technical Services Department.