

Parts List for:

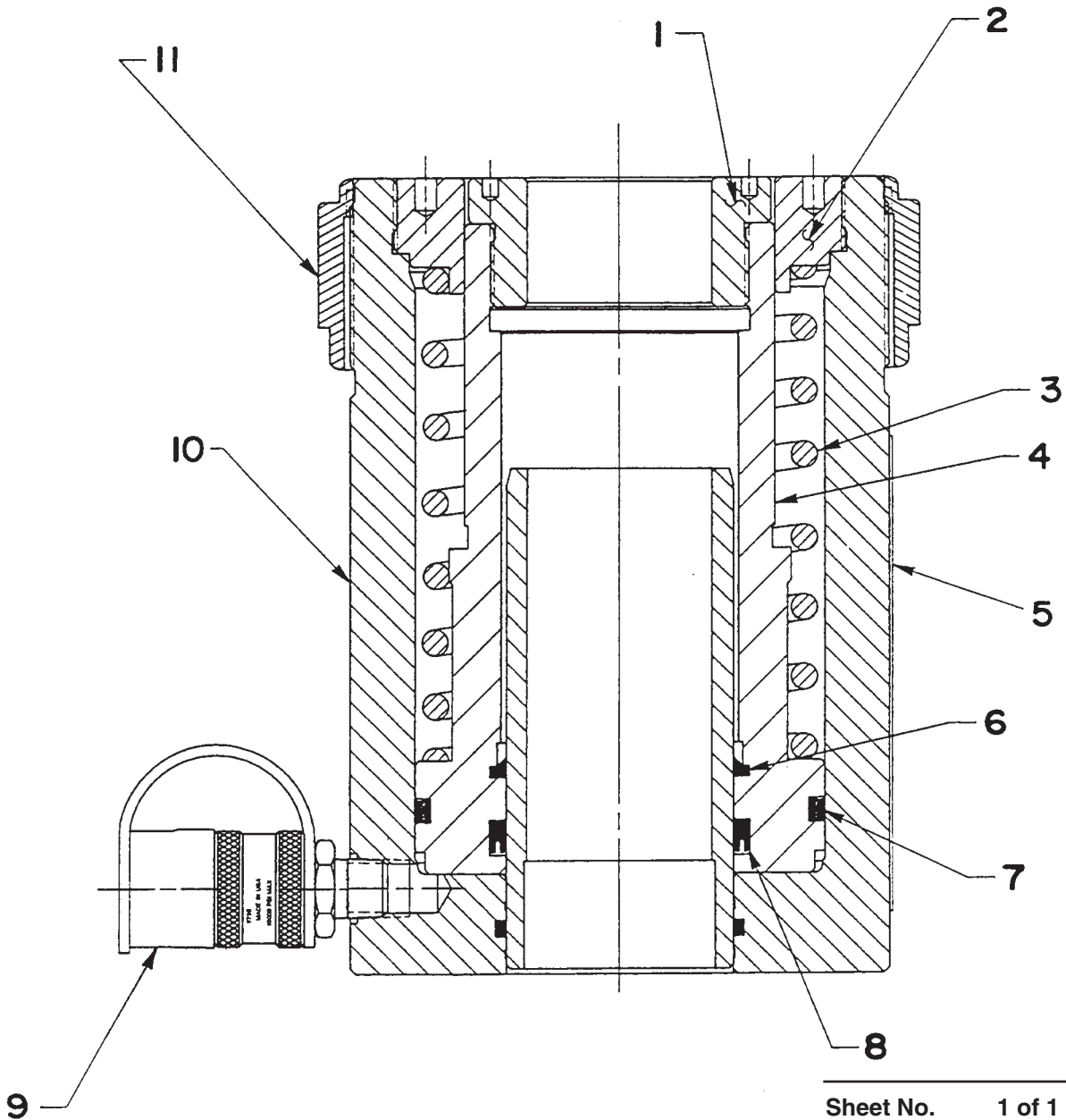
RH603
RH603N
RH603-SSC

SINGLE-ACTING, HOLLOW CENTER HYDRAULIC CYLINDER

Max. Capacity: 61.5 Tons At 10,000 PSI

! WARNING:

To help avoid personal injury, DO NOT disassemble cylinder. The retainer nut is loaded with 230 lbs. of spring force, and releasing this spring force improperly could result in serious bodily harm. All repairs must be done by an authorized Power Team Hydraulic Service Center.



Sheet No. 1 of 1

Issue Date: Rev. 2-10-96

Parts List, Form No. 100750, Back sheet 1 of 1

Item No.	Part No.	No. Req'd	Description
1	34250	1	Plain Insert
2	46720	1	Gland Nut
3	213200	1	Compression Spring
4	53444	1	Piston Rod
5	309365	1	Trade Name Decal (For RH603 & RH603-SSC)
	350802	1	Trade Name Decal (For RH603N)
6	*207721	1	Rod Wiper
	†206123	1	Rod Wiper
	•252063	1	Rod Wiper
7	*14334	1	Piston T-seal w/ Backup Washer
	†19245	1	Piston T-seal w/ Backup Rings
	•252062	1	Piston T-seal w/ Backup Rings
8	*14333	1	U-cup
	†206145	1	U-cup
	•252061	1	U-cup
9	9796	1	Ram Half Coupler w/ Dust Cap
10	62069	1	Cylinder Standpipe Assembly (For RH603)
	64051	1	Cylinder Standpipe Assembly (For RH603-SSC)
	350809	1	Cylinder Standpipe Assembly (For RH603N)
11	42194	1	Thread Protector (For RH603)

PARTS INCLUDED BUT NOT SHOWN

•†*203908	1	Warning Decal
†205724	1	Decal (Viton)
•252058	1	O-ring (3/4 X 9/16 X 3/32, -113; For Coupler)
•251880	1	O-ring (1" X 3/4 X 1/8, -210; For Coupler)

Part numbers marked with an asterisk (*) are contained in Standard Repair Kit No. 300477.

Part numbers marked with a dagger (†) are contained in Viton Seal Kit No. 300476.

Part numbers marked with a bullet (•) are contained in Water Glycol Seal Kit No. 300878.

Refer to any operating instructions included with this product for detailed information about operation, testing, disassembly, reassembly, and preventive maintenance.

Items found in this parts list have been carefully tested and selected. **Therefore: Use only genuine Power Team replacement parts!**

Additional questions can be directed to our Technical Services Department.

Note: Shaded areas reflect last revision(s) made to this form.