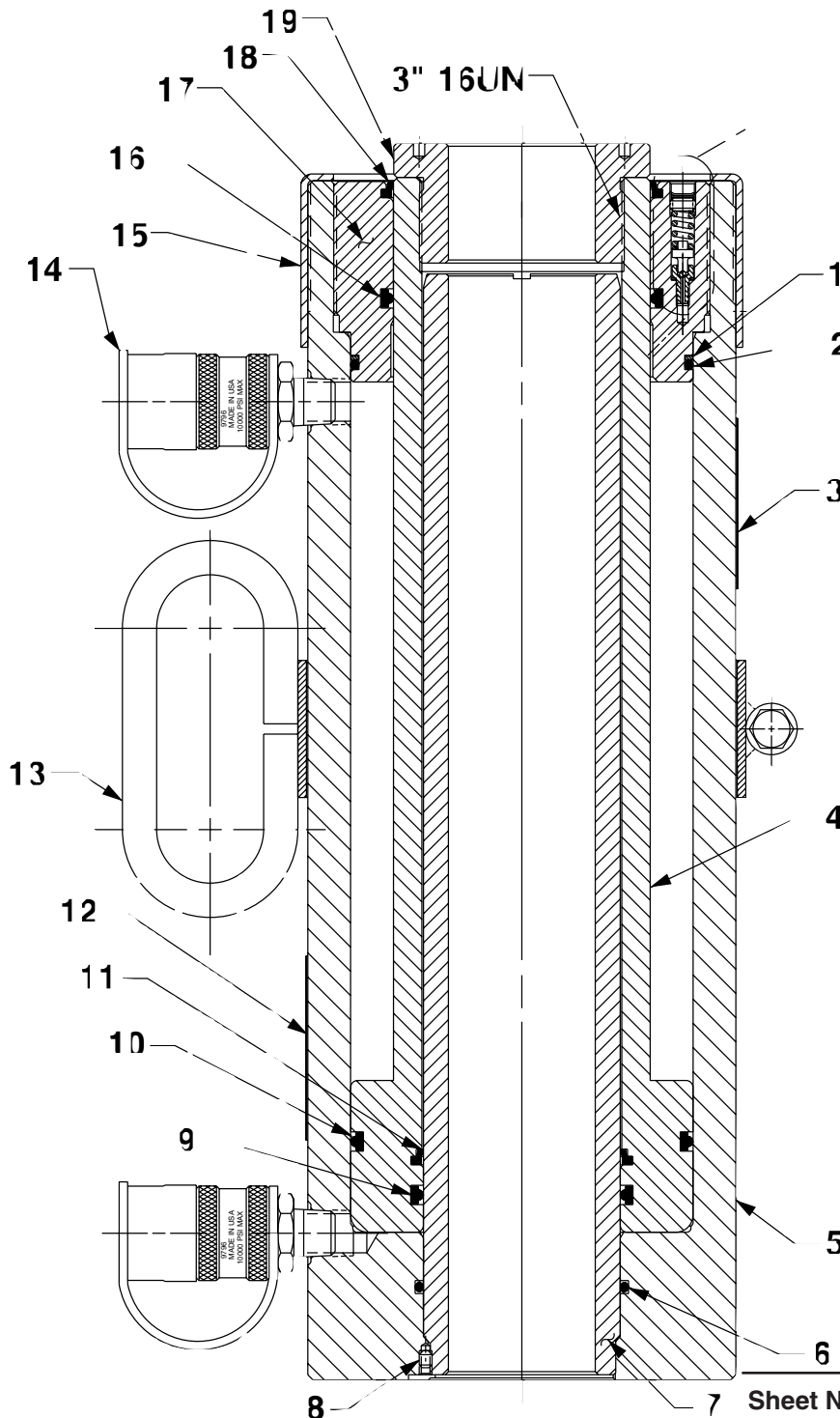


**MODEL B
DOUBLE-ACTING HYDRAULIC CYLINDER**

Max. Capacity: 65.7 Tons At 10,000 PSI



**Double-acting
Cylinder
Relief Valve**

See important
! DANGER
statement
on back of
sheet 1 of 1

**To Parts
List**

 **DANGER:** To help avoid possible serious personal injury or death,

- In the event that the cylinder retract port is ever restricted or plugged, a double-acting cylinder relief valve will help prevent excessive pressure from building in the cylinder. **DO NOT** attempt to adjust or service this relief valve! If oil leakage is detected from this relief valve, discontinue use of the cylinder immediately and contact Power Team Technical Services. Only Power Team Authorized Hydraulic Service Centers should service this relief valve.

Item No.	Part No.	No. Req'd	Description
1	*19173	1	Backup Washer (5" X 4-3/4 X .048)
2	*12199	1	O-ring (5" X 4-3/4 X 1/8)
3	351606	1	Trade Name Decal
4	58280	1	Piston Rod
5	65735	1	Cylinder Body
6	*250794	1	O-ring (3.12 x 2.87 Viton)
7	461618	1	Standpipe
8	251482	1	Screw, Set (10-24 x 1/4)
9	*250795	1	T-seal Packing (Standpipe, 3.25 x 2.88 x .27 L)
10	*15380	1	T-seal Packing (Piston)
11	*250797	1	Rod Wiper (3.25 x 2.88 Urethane)
12	*203908	1	Warning Decal
13	420488OR9	1	Lift Handle Assembly
14	9697	2	Ram Half Coupler w/ Plastic Dust Cap
15	42194	1	Protector, Thread
16	*250007	1	T-seal Packing (Rod, 4.13 x 3.75 x .27 L)
17	58281	1	Retainer Nut
18	*250008	1	Rod Wiper (4.12 x 3.75 Urethane)
19	350505	1	Threaded Piston Cap

Part numbers marked with an asterisk (*) are contained in Repair Kit No. 300626.



Refer to any operating instructions included with this product for detailed information about operation, testing, assembly, disassembly, and preventive maintenance.

Items found in this parts list have been carefully tested and selected. **Therefore: Use only genuine Power Team replacement parts!**

Additional questions can be directed to our Technical Services Department.