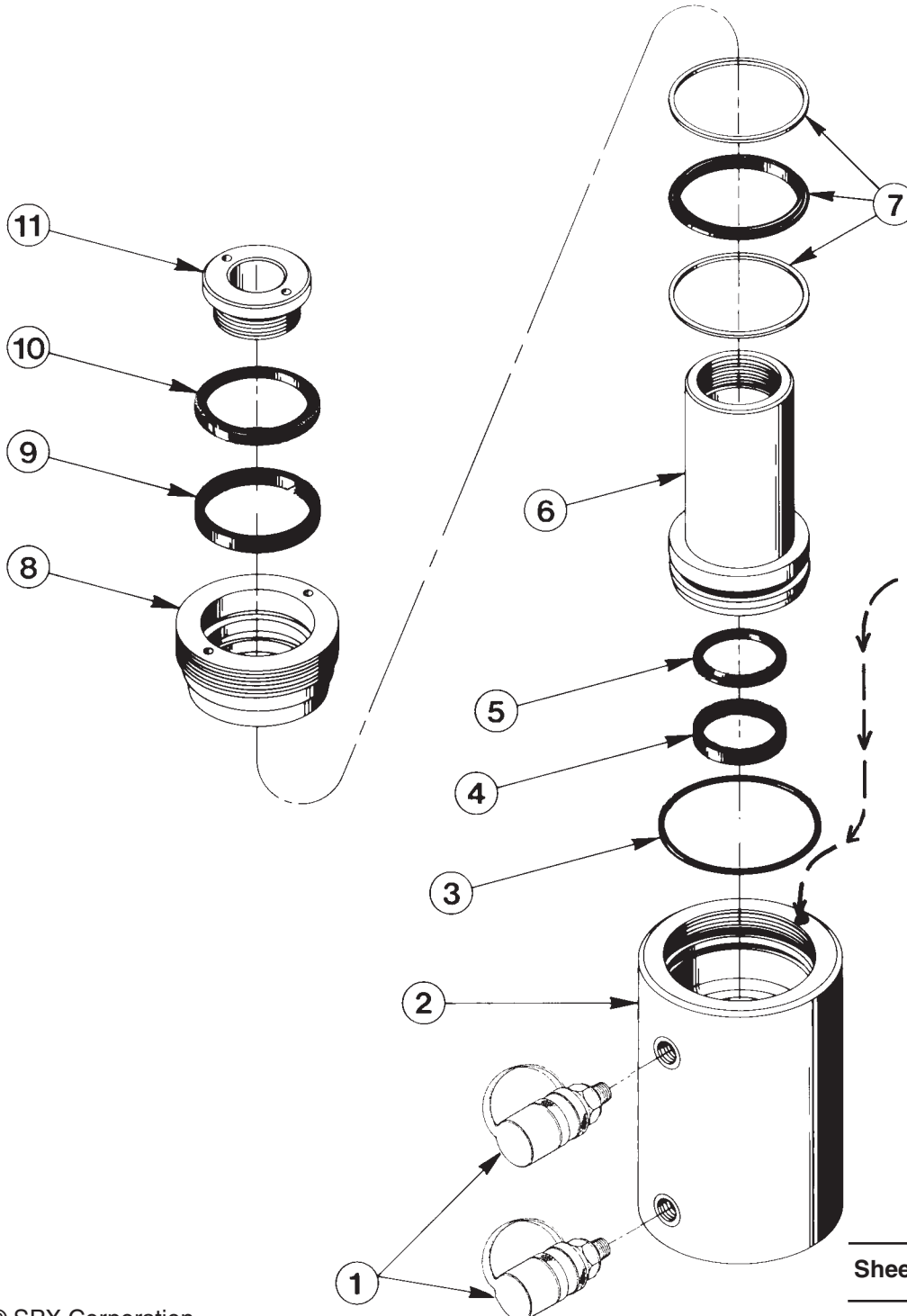


Parts List for:


4133
RH303
RH303N
RH303-PFAFF
YH-30A
YH-30A-DN

MODEL B
DOUBLE-ACTING, HOLLOW CENTER
HYDRAULIC CYLINDER
Max. Capacity: 30 Tons at 10,200 PSI



**Double-acting
Cylinder
Relief Valve**

See important
! DANGER
statement
on back of
sheet 1 of 1

-  **DANGER:** To help avoid possible serious personal injury or death,
- In the event that the cylinder retract port is ever restricted or plugged, a double-acting cylinder relief valve will help prevent excessive pressure from building in the cylinder. **DO NOT** attempt to adjust or service this relief valve! If oil leakage is detected from this relief valve, discontinue use of the cylinder immediately and contact Power Team Technical Services. Only Power Team or OTC Authorized Hydraulic Service Centers should service this relief valve.

Item No.	Part No.	No. Req'd	Description
1	9796	2	Ram Half Coupler w/ Plastic Dust Cap
2	43397	1	Cylinder Standpipe Assembly (For 4133, RH303, YH-30A, YH-30A-DN & RH303-PFAFF)
	420744	1	Cylinder Standpipe Assembly (For RH303N)
3	*14273	1	O-ring (3-5/8 X 3-3/8 X 1/8)
	†104581	1	O-ring (3-5/8 X 3-3/8 X 1/8)
4	*14258	1	U-cup
	†206143	1	U-cup
5	*19591	1	Rod Wiper
	†206122	1	Rod Wiper
6	34132	1	Piston
7	*14260	1	T-seal (Piston) & Backup Rings (Smooth side of Backup Ring must be against seal.)
	†19242	1	T-seal (Piston) & Backup Rings (Smooth side of Backup Ring must be against seal.)
8	34133	1	Gland Nut
9	*14259	1	U-cup
	†206144	1	U-cup
10	*28656	1	U-cup (Wiper; Note: Remove o-ring energizer.)
	†253623	1	U-cup (Wiper; Note: Remove o-ring energizer.)
11	28643	1	Plain Insert

PARTS INCLUDED BUT NOT SHOWN

38646	1	Trade Name Decal (For RH303)
38645	1	Trade Name Decal (For YH-30A)
14801	1	Trade Name Decal (For YH-30A-DN)
304481	1	Trade Name Decal (For 4133)
202173	1	Trade Name Decal (For RH303N)
14804	1	Tonnage Decal (For YH-30A-DN)
*203908	1	Warning Decal
†19526	2	O-ring (1 X 3/4 X 1/8; For coupler)
†205724	1	Decal (Viton)
203908-CE	1	Warning Decal (For RH303-PFAFF)
252184	1	Trade Name Decal (For RH303-PFAFF)

Part numbers marked with an (*) asterisk are contained in Standard Repair Kit No. 300077.

Part numbers marked with a dagger (†) are contained in Viton Seal Kit No. 300224.

Refer to any operating instructions included with this product for detailed information about operation, testing, disassembly, reassembly, and preventive maintenance.

Items found in this parts list have been carefully tested and selected. **Therefore: Use only genuine replacement parts!**

Additional questions can be directed to our Technical Services Department.