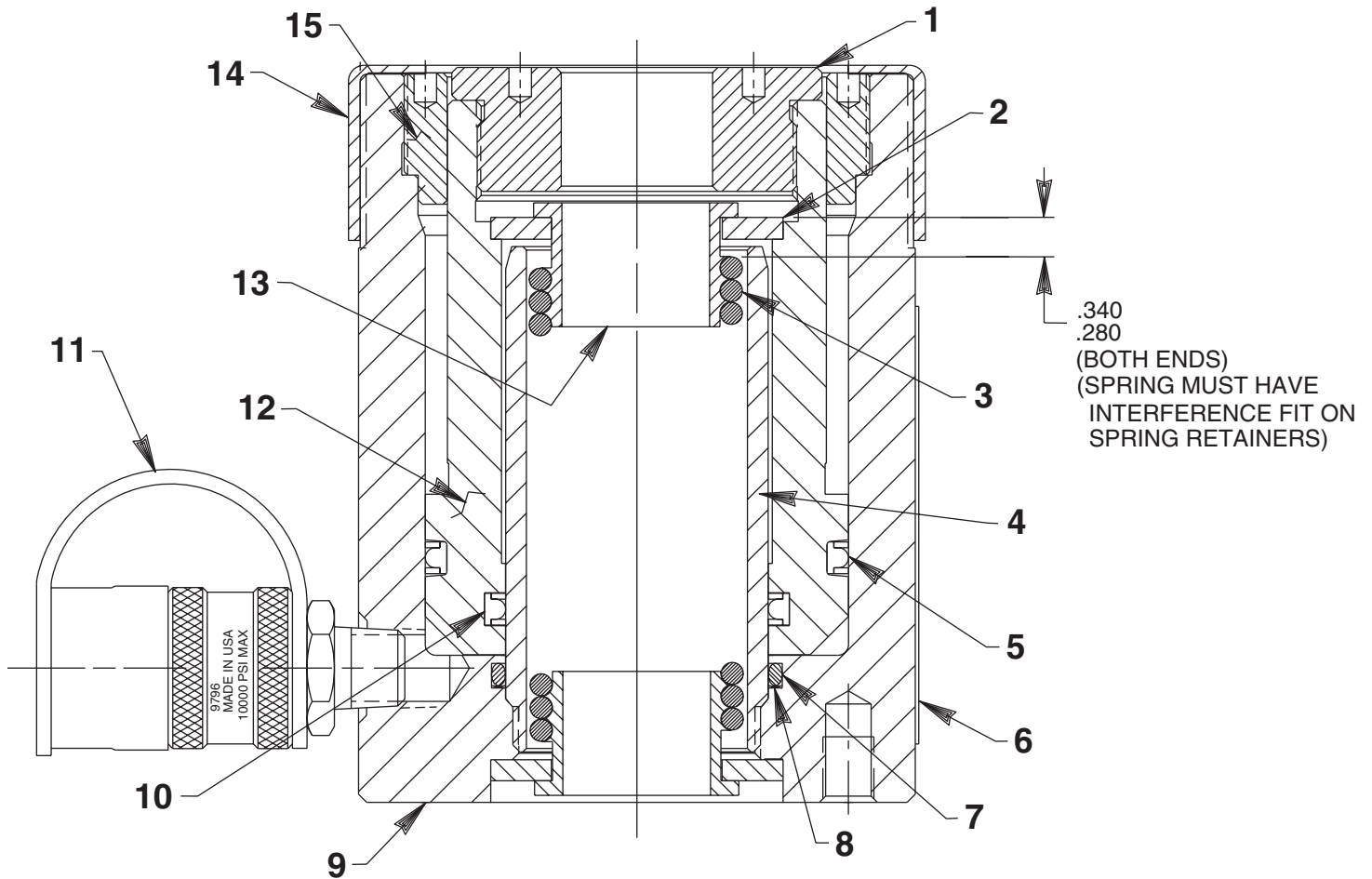


MODEL C
SINGLE-ACTING, HOLLOW CENTER, SPRING RETURN
HYDRAULIC CYLINDER
Max. Capacity: 31.7 Tons at 10,000 PSI



Parts List, Form No. 108125, Back sheet 1 of 1

Item No.	Part No.	No. Req'd	Description
1	38905	1	Plain Insert
2	205106	4	Spring Lock
3	205109	1	Extension Spring
4	360019	1	Standpipe (Bottom out and back out [.01] 1/8 revolution. Apply primer and Loctite 242.)
5	*19826	1	T-seal & Backup Rings (Smooth side of Backup Ring must be against seal.)
	†19827	1	T-seal & Backup Rings (Smooth side of Backup Ring must be against seal.)
6	360020	1	Trade Name Decal (For RH302)
7	*10295	1	O-ring (2.50 x 2.25 Nitrile)
	†19040	1	O-ring (2.50 x 2.25 Viton)
8	†*19148	1	Backup Washer (2.50 x 2.25)
9	66425	1	Cylinder Body
10	*19824	1	T-seal & Backup Rings (Smooth side of Backup Ring must be against seal.)
	†19825	1	T-seal & Backup Rings (Smooth side of Backup Ring must be against seal.)
11	9796	1	Ram Half Coupler w/Dust Cap
12	51441	1	Piston Rod
13	38903	2	Spring Retainer
14	421273	1	Thread Protector (For RH302)
15	38906	1	Gland Nut

PARTS INCLUDED BUT NOT SHOWN

†19526	1	O-ring (1" x 3/4 x 1/8; For coupler)
†205724	1	Decal (Viton)
252021	1	Trade Name Decal (For RH302-PFAFF)
*203908	1	Warning Decal (For RH302)
203908-CE	1	Warning Decal (For RH302-PFAFF)
252184	1	Decal (For RH302-PFAFF)

Part numbers marked with an asterisk (*) are contained in Repair Kit No. 300037.
Part numbers marked with a dagger (†) are contained in Viton Seal Kit No. 300223.

Refer to any operating instructions included with this product for detailed information about operation, testing, disassembly, reassembly, and preventive maintenance.

Items found in this parts list have been carefully tested and selected. **Therefore: Use only genuine Power Team replacement parts!**

Additional questions can be directed to our Technical Services Department.