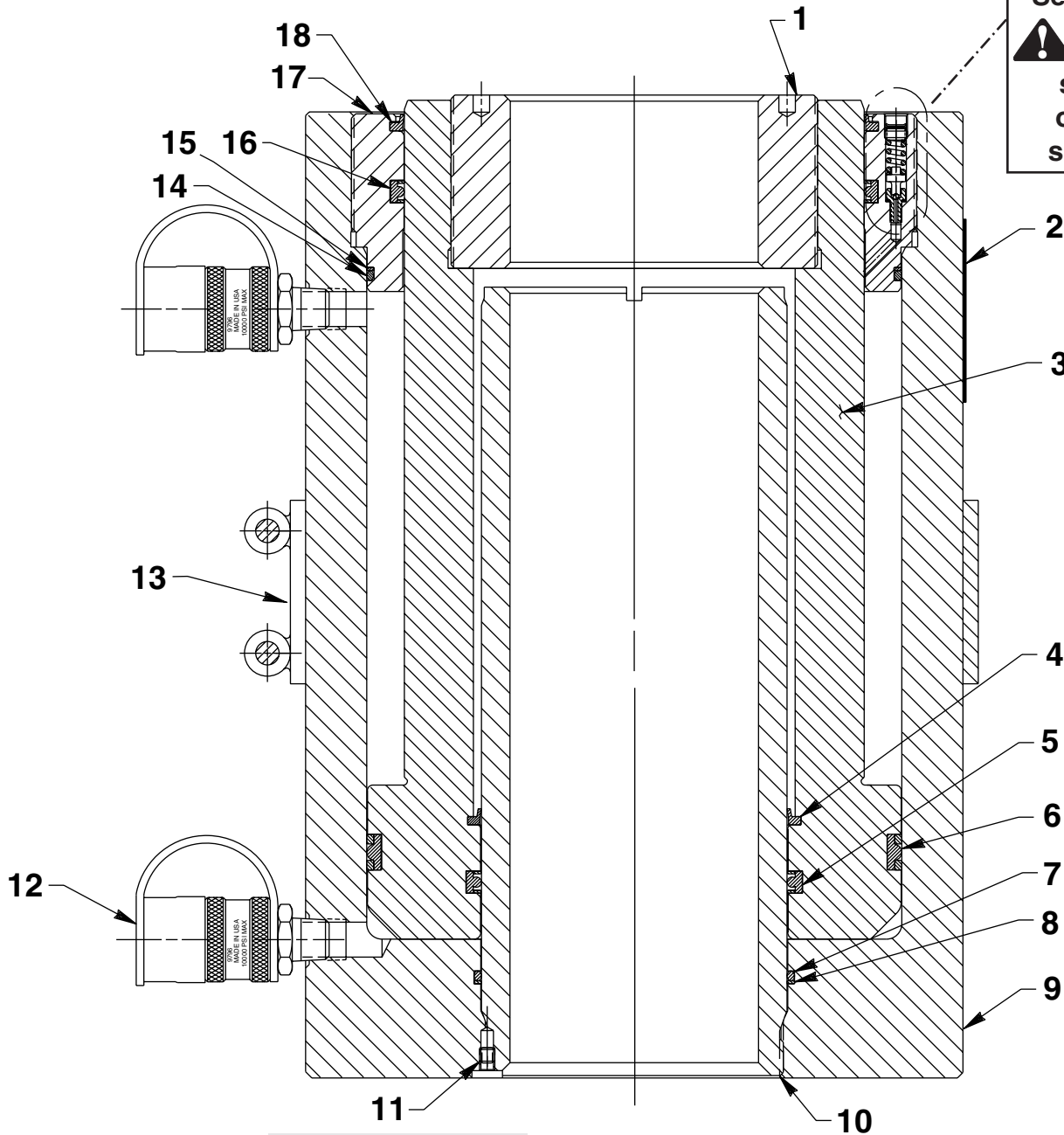


**MODEL B**  
**DOUBLE-ACTING, HOLLOW CENTER**  
**HYDRAULIC CYLINDER**  
Max. Capacity: 202.3 Tons at 10,000 PSI

Double-acting  
Cylinder  
Relief Valve  
See important  
**! DANGER**  
statement  
on back  
of sheet  
1 of 1



To Parts  
List

See **NOTE** on back  
of sheet 1 of 1

Sheet No. 1 of 1

Rev. 1

Date: 19 Mar. 1999



**DANGER:** To help avoid possible serious personal injury or death,

- In the event that the cylinder retract port is ever restricted or plugged, a double-acting cylinder relief valve will help prevent excessive pressure from building in the cylinder. **DO NOT** attempt to adjust or service this relief valve! If oil leakage is detected from this relief valve, discontinue use of the cylinder immediately and contact Power Team Technical Services. Only Power Team Authorized Hydraulic Service Centers should service this relief valve.

Item No.	Part No.	No. Req'd	Description
1	350055	1	Threaded Insert
2	351516	1	Trade Name Decal
3	64050	1	Piston Rod
4	*250182	1	Rod Wiper
5	*250180	1	T-Seal (Rod) with Backup Rings (5-1/2 x 5" x 1/4)
6	*212698	1	T-Seal (Piston) with Backup Rings (8-3/4 x 8-1/4 x 1/4)
7	*104576	1	O-ring (5-1/4 x 5" x 1/8)
8	*206807	1	Teflon Backup Washer
9	65668	1	Cylinder Body
10	420037	1	Standpipe (NOTE: Bottom out and back off (.01) 1/8 revolution before adding set screw. Moly Kote all threads.)
11	10556	1	Set Screw (1/4-20 x 1/4 Lg.; <b>See NOTE below</b> )
12	9796	2	Ram Half Coupler With Dust Cap
13	52723	1	Cylinder Lift Handle
14	*250178	1	O-ring (8-3/4 x 8-1/2 x 1/8)
15	*250179	1	Teflon Backup Washer
16	*250177	1	T-Seal (Rod) with Backup Rings (8" x 7-1/2 x 1/4)
17	58040	1	Retainer Nut (Torque to 650 ft. lbs.; Moly Kote threads.)
18	*250181	1	Rod Wiper

**PARTS INCLUDED BUT NOT SHOWN**

\*37782 1 Warning Decal



Part numbers marked with an asterisk (\*) are contained in Repair Kit No. 300582.

**NOTE: Cylinders built after 1-1-99 do not use this set screw to lock the standpipe and cylinder body together. Loctite 242 is used on the last 2-3 standpipe threads only.**

Refer to any operating instructions included with this product for detailed information about operation, testing, disassembly, reassembly, and preventive maintenance.

Items found in this parts list have been carefully tested and selected. **Therefore: Use only genuine Power Team replacement parts!**

Additional questions can be directed to our Technical Services Department.

Note: Shaded areas reflect last revision(s) made to this form.