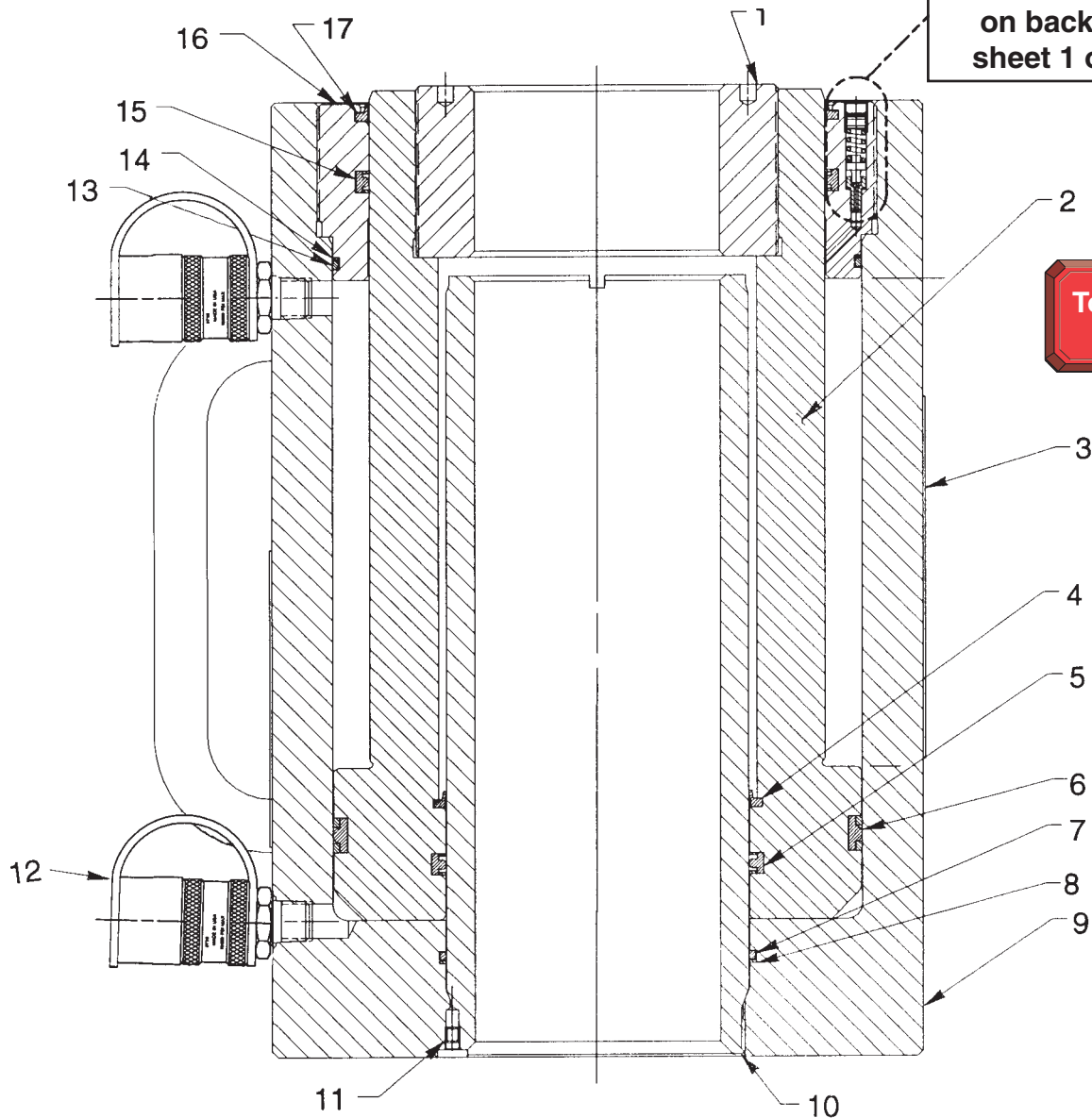


**DOUBLE-ACTING, HOLLOW CENTER  
HYDRAULIC CYLINDER**  
Max. Capacity: 202.3 Tons at 10,000 PSI

Double-acting  
Cylinder  
Relief Valve  
See important  
**! DANGER**  
statement  
on back of  
sheet 1 of 1



**To Parts List**



**DANGER:** To help avoid possible serious personal injury or death,

- In the event that the cylinder retract port is ever restricted or plugged, a double-acting cylinder relief valve will help prevent excessive pressure from building in the cylinder. **DO NOT** attempt to adjust or service this relief valve! If oil leakage is detected from this relief valve, discontinue use of the cylinder immediately and contact Power Team Technical Services. Only Power Team Authorized Hydraulic Service Centers should service this relief valve.

Item No.	Part No.	No. Req'd	Description
1	350055	1	Threaded Insert
2	64050	1	Piston Rod
3	350056	1	Trade Name Decal
4	*250182	1	Rod Wiper
5	*250180	1	T-Seal (Rod) with Backup Rings (5-1/2 x 5" x 1/4)
6	*212698	1	T-Seal (Piston) with Backup Rings (8-3/4 x 8-1/4 x 1/4)
7	*104576	1	O-ring (5-1/4 x 5" x 1/8)
8	*206807	1	Teflon Backup Washer
9	64049	1	Cylinder Body
10	420037	1	Standpipe (NOTE: Bottom out and back off (.01) 1/8 revolution before adding set screw. Moly Kote all threads.)
11	10556	1	Long Set Screw (1/4-20 x 1/4 Lg.)
12	9796	2	Ram Half Coupler With Dust Cap
13	*250178	1	O-ring (8-3/4 x 8-1/2 x 1/8)
14	*250179	1	Teflon Backup Washer
15	*250177	1	T-Seal (Rod) with Backup Rings (8" x 7-1/2 x 1/4)
16	58040	1	Retainer Nut (Torque to 650 ft. lbs.; Moly Kote threads.)
17	*250181	1	Rod Wiper

**PARTS INCLUDED BUT NOT SHOWN**

\*37782 1 Warning Decal



Part numbers marked with an asterisk (\*) are contained in Repair Kit No. 300582.

Note: Shaded areas reflect last revision(s) made to this form.

Refer to any operating instructions included with this product for detailed information about operation, testing, disassembly, reassembly, and preventive maintenance.

Items found in this parts list have been carefully tested and selected. **Therefore: Use only genuine replacement parts!**

Additional questions can be directed to our Technical Services Department.