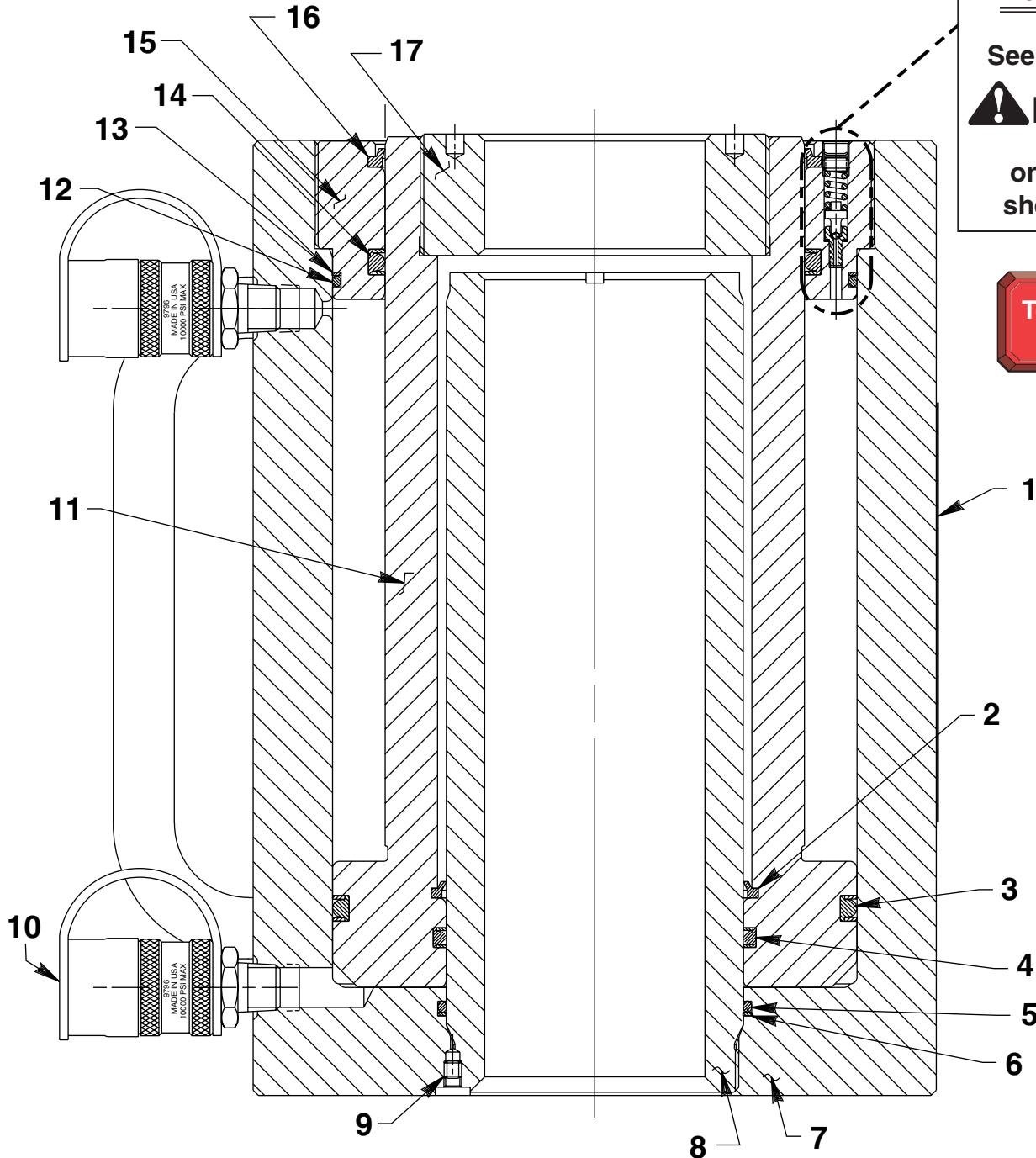


DOUBLE-ACTING, HOLLOW CENTER HYDRAULIC CYLINDER

Max. Capacity: 149.76 Tons at 10,000 PSI




Double-acting
Cylinder
Relief Valve

See important

! DANGER
statement
on back of
sheet 1 of 1

To Parts
List

-  **DANGER:** To help avoid possible serious personal injury or death,
- In the event that the cylinder retract port is ever restricted or plugged, a double-acting cylinder relief valve will help prevent excessive pressure from building in the cylinder. **DO NOT** attempt to adjust or service this relief valve! If oil leakage is detected from this relief valve, discontinue use of the cylinder immediately and contact **Power Team Technical Services**. Only Power Team Authorized Hydraulic Service Centers should service this relief valve.

Item No.	Part No.	No. Req'd	Description
1	350067	1	Trade Name Decal
2	*250202	1	Rod Wiper
3	*250201	1	T-Seal (Piston) with Backup Rings
4	*250199	1	T-Seal (Rod) with Backup Rings (-347)
5	*10858	1	O-ring (4-1/2 x 4-1/4 x 1/8, -244)
6	*19171	1	Teflon Backup Washer (-244)
7	64053	1	Cylinder Body
8	420040	1	Standpipe (NOTE: Bottom out and back off [.01] 1/8 revolution before adding set screw. Molykote all threads.)
9	10556	1	Long Set Screw (1/4-20 x 1/4 Lg.)
10	9796	2	Ram Half Quick Coupler w/Dust Cap
11	64054	1	Piston Rod
12	*250197	1	O-ring (7-1/2 x 7-1/4 x 1/8, -263)
13	*250198	1	Teflon Backup Washer (-263; Assemble with radius towards seal)
14	*250200	1	T-Seal (Rod) with Backup Rings (-437)
15	58047	1	Retainer Nut (Torque to 590 ft. lbs.; Moly Kote threads.)
16	*250203	1	Rod Wiper
17	350066	1	Threaded Insert

PARTS INCLUDED BUT NOT SHOWN

*37782 1 Warning Decal

Part numbers marked with an asterisk (*) are contained in Repair Kit No. 300583.



Refer to any operating instructions included with the product for detailed information about operation, testing, disassembly, reassembly, and preventive maintenance.

Items found in this parts list have been carefully tested and selected. **Therefore: Use only genuine Power Team replacement parts!**

Additional questions can be directed to our Technical Services Department.

Note: Shaded areas reflect last revision(s) made to this form.