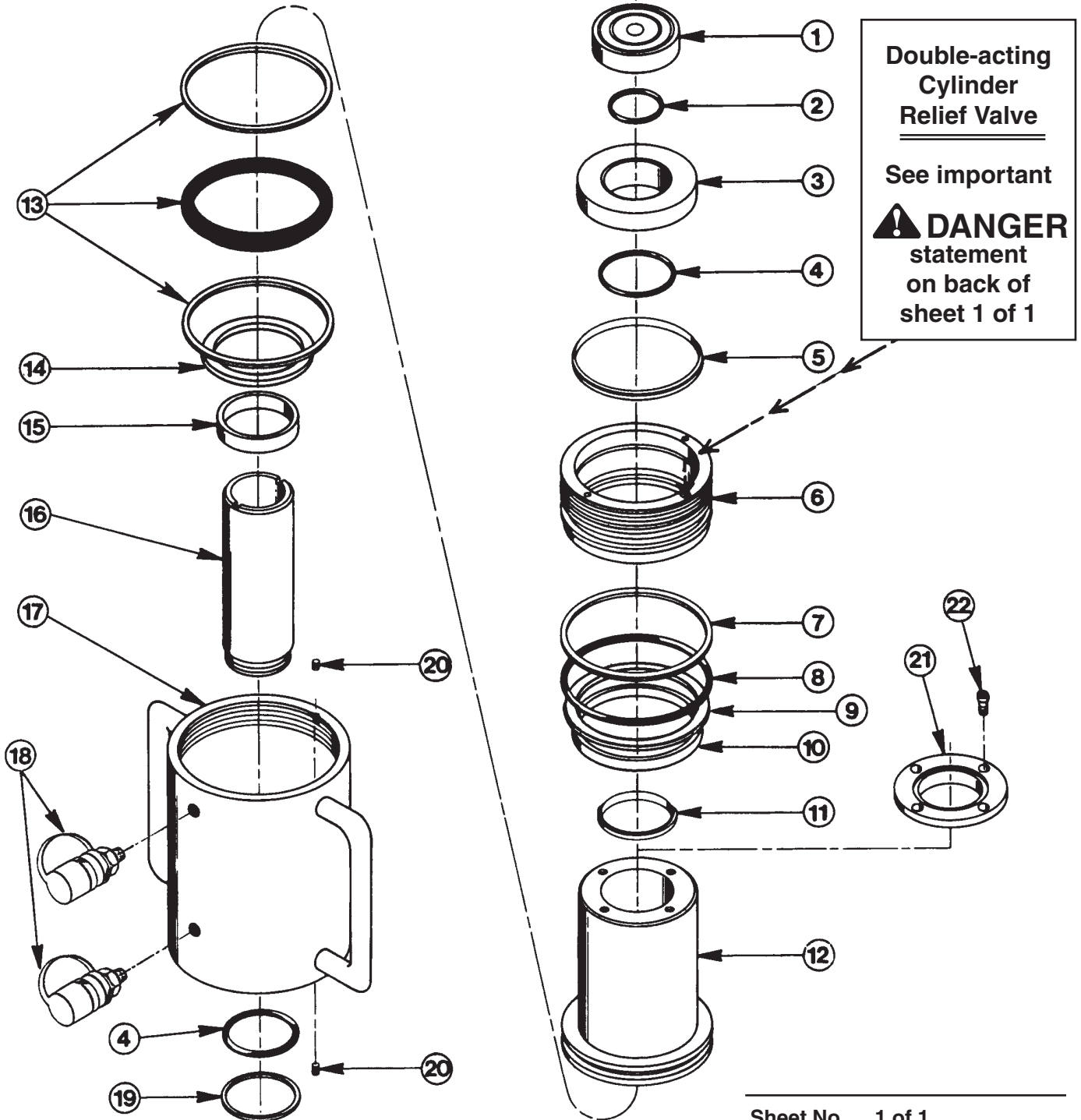


Parts List for:

51344  
RH1505

**DOUBLE-ACTING, HOLLOW CENTER  
HYDRAULIC CYLINDER**

Max. Capacity: 150.9 Tons at 10,000 PSI (Push)  
73.6 Tons at 10,000 PSI (Pull)



**Double-acting  
Cylinder  
Relief Valve**

See important  
**⚠ DANGER**  
statement  
on back of  
sheet 1 of 1

# Parts List, Form No. 100398, Back sheet 1 of 1



**DANGER:** To help avoid possible serious personal injury or death,

● In the event that the cylinder retract port is ever restricted or plugged, a double-acting cylinder relief valve will help prevent excessive pressure from building in the cylinder. **DO NOT** attempt to adjust or service this relief valve! If oil leakage is detected from this relief valve, discontinue use of the cylinder immediately and contact **Power Team Technical Services**. Only **Power Team Authorized Hydraulic Service Centers** should service this relief valve.

Item No.	Part No.	No. Req'd	Description
1	<b>37288</b>	1	Serrated Insert (for RH1505)
2	<b>*10295</b>	1	O-ring (2-1/2 x 2-1/4 x 1/8; for RH1505)
	† <b>19040</b>	1	O-ring (2-1/2 x 2-1/4 x 1/8)
3	<b>37287</b>	1	Plain Insert (for RH1505)
4	<b>*10297</b>	2	O-ring (3-1/2 x 3-1/4 x 1/8; for RH1505)
	<b>*10297</b>	1	O-ring (3-1/2 x 3-1/4 x 1/8; for 51344)
	† <b>206865</b>	2	O-ring (3-1/2 x 3-1/4 x 1/8)
5	<b>*207593</b>	1	Rod Wiper (5-15/16 x 5-1/2 x .135)
	† <b>206127</b>	1	Rod Wiper (5-15/16 x 5-1/2 x .135)
6	<b>50870</b>	1	Retainer Nut (for 51344)
	<b>51043</b>	1	Retainer Nut (for RH1505)
7	<b>*†19176</b>	1	Teflon Backup Washer (7" x 6-3/4 x 1/16 Thk.)
8	<b>*16317</b>	1	O-ring (7" x 6-3/4 x 1/16 Thk.)
	† <b>206868</b>	1	O-ring (7" x 6-3/4 x 1/8 Thk.)
9	<b>*16315</b>	1	U-cup (6" x 5-1/2 x 9/16)
	† <b>206149</b>	1	U-cup (6" x 5-1/2 x 1/4)
10	† <b>206815</b>	1	Teflon Backup Washer
11	<b>*16311</b>	1	Rod Wiper (3-5/8 x 3-1/4 x .11)
	† <b>206125</b>	1	Rod Wiper (3-5/8 x 3-1/4 x .11)
12	<b>50871</b>	1	Piston (for 51344)
	<b>51044</b>	1	Piston (for RH1505)
13	<b>*16313</b>	1	T-seal & Backup Rings (Smooth side of Backup Ring must be against seal.)
14	† <b>206816</b>	1	Teflon U-cup Backup Washer (3-3/4)
15	<b>*16316</b>	1	U-cup (3-3/4 x 3-1/4 x 3/8)
	† <b>206150</b>	1	U-cup (3-3/4 x 3-1/4 x 1/4)
16	<b>36406</b>	1	Stand Pipe
17	<b>50872</b>	1	Cylinder Body Assembly
18	<b>9796</b>	2	Ram Half Coupler (for RH1505)
	<b>25600-1</b>	2	Ram Half Coupler (for 51344)
	<b>9866</b>	2	Dust Cap (for 51344)
19	<b>*†19166</b>	1	Teflon Backup Washer (3-1/2 x 3-1/4 x 1/16)
20	<b>10556</b>	2	Set Screw (1/4-20 x 1/4 Lg.)
21	<b>38472</b>	1	End Cap (for 51344)
22	<b>10006</b>	4	Soc. Hd. Cap Screw (1/4-20 x 5/8 Lg.; for 51344)

### PARTS INCLUDED BUT NOT SHOWN

<b>203367</b>	1	Trade Name Decal (for RH1505)
<b>*37782</b>	1	Warning Decal
† <b>19526</b>	2	O-ring (1" x 3/4 x 1/8; for coupler)
† <b>205724</b>	1	Decal (Viton)

Part numbers marked with an asterisk (\*) are contained in Standard Repair Kit No. 300154.

Part numbers marked with a dagger (†) are contained in Viton Seal Kit No. 300228.

Refer to any operating instructions included with this product for detailed information about operation, testing, disassembly, reassembly, and preventive maintenance.

Items found in this parts list have been carefully tested and selected. **Therefore: Use only genuine replacement parts!**

Additional questions can be directed to our Technical Services Department.