

Parts List for:

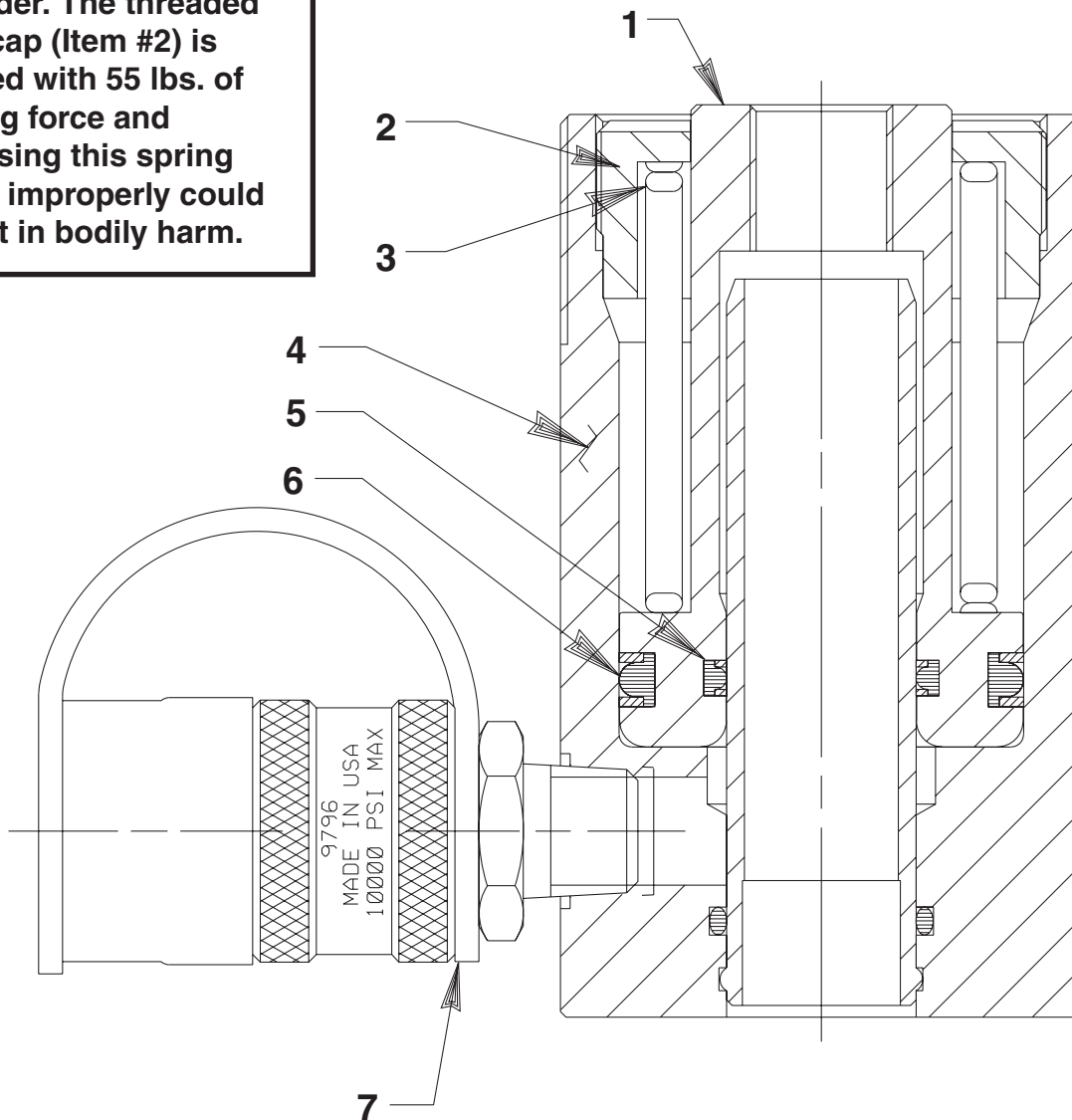
RH121	RH121T
RH121N	RH121TN
RH121-QUEST	RH121T-VIC
RH121-SAUER	

SINGLE-ACTING, HOLLOW CENTER, SPRING RETURN HYDRAULIC CYLINDER

Max. Capacity: 13.8 Tons (124,6 kN) at 10,000 PSI (700 Bar)

⚠ WARNING:

To help avoid personal injury, use extreme care when disassembling this cylinder. The threaded end cap (Item #2) is loaded with 55 lbs. of spring force and releasing this spring force improperly could result in bodily harm.



Parts List, Form No. 100829, Back sheet 1 of 1

Item No.	Part No.	No. Req'd	Description
1	420032	1	Piston Rod (For RH121N)
	420039	1	Piston Rod (For RH121T & RH121TN)
	420402	1	Piston Rod (For RH121, RH121-SAUER & RH121-QUEST)
	420351	1	Piston Rod (For RH121T-VIC)
2	350047	1	Retainer Nut (Torque to 75 ft. lbs.)
3	250052	1	Compression Spring
4	350063	1	Standpipe and Cylinder Assembly (For RH121, RH121-SAUER, RH121-QUEST & RH121T)
	350330	1	Standpipe and Cylinder Assembly (For RH121T-VIC)
	350800	1	Standpipe and Cylinder Assembly (For RH121N & RH121TN)
5	*15171	1	Rod T-Seal with Backup Rings (-214)
6	*250057	1	Piston T-Seal with Backup Rings (-327)
7	9796	1	Ram Half Coupler w/ Plastic Dust Cap
	11127	1	Plug (For RH121T-VIC & RH121-QUEST)

PARTS INCLUDED BUT NOT SHOWN

*203908	1	Warning Decal
250190	1	Trade Name Decal (For RH121 & RH121-QUEST)
250191	1	Trade Name Decal (For RH121T)
251366	1	Trade Name Decal (For RH121N)
251367	1	Trade Name Decal (For RH121TN)
306249	1	Thread Protector
203908-CE	1	Thread Protector (For RH121-SAUER)

Part numbers marked with an asterisk (*) are contained in Repair Kit No. 300576.

Refer to any operating instructions included with the product for detailed information about operation, testing, disassembly, reassembly, and preventive maintenance.

Items found in this parts list have been carefully tested and selected. **Therefore: Use only genuine Power Team replacement parts!**

Additional questions can be directed to our Technical Services Department.

Note: Shaded areas reflect last revision(s) made to this form.