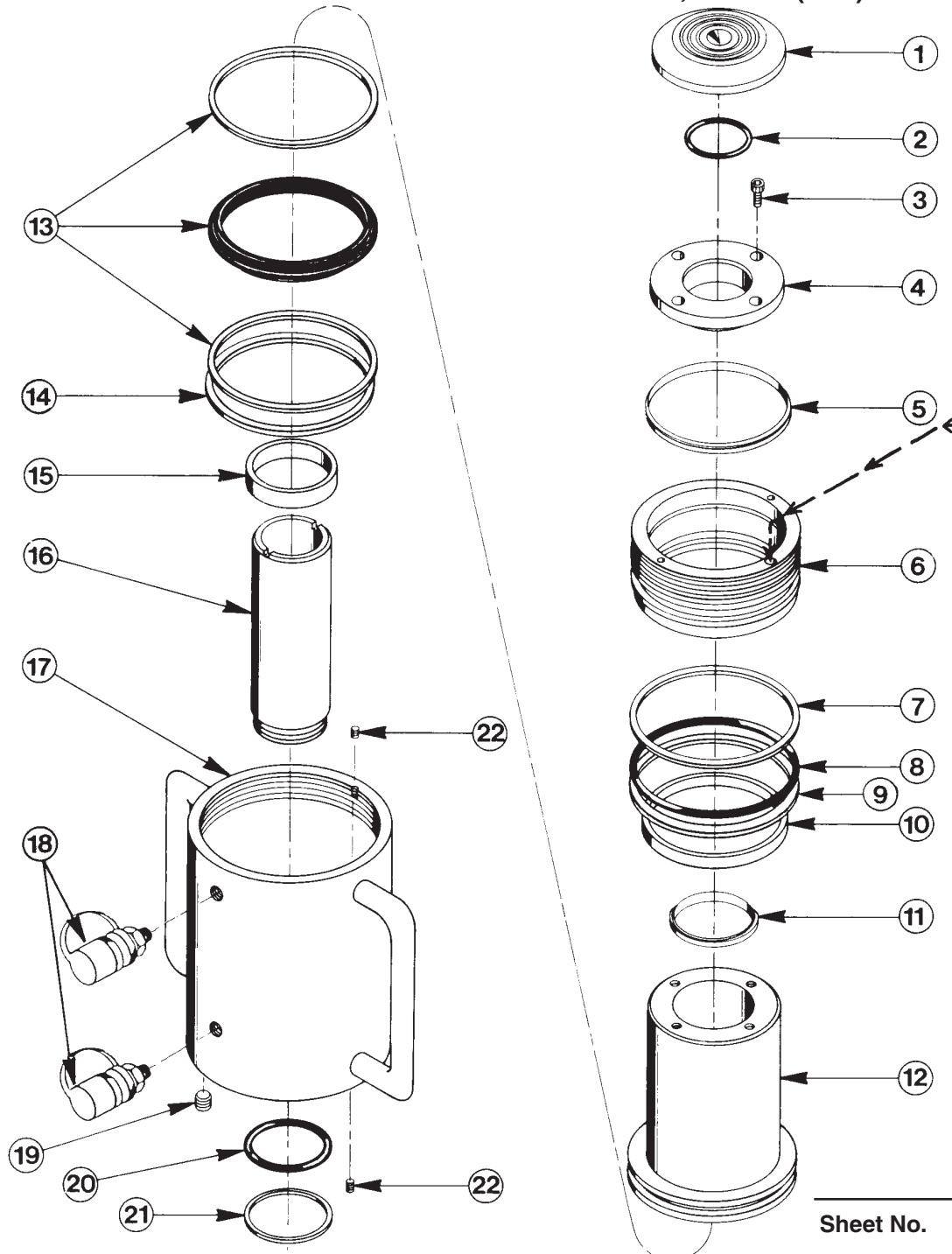


**MODEL B**  
**DOUBLE-ACTING, HOLLOW CENTER**  
**HYDRAULIC CYLINDER**  
Max. Capacity: 100.1 Tons at 10,000 PSI (Push)  
54.7 Tons at 10,000 PSI (Pull)



**Double-acting  
Cylinder  
Relief Valve**

See important  
**! DANGER**  
statement  
on back of  
sheet 1 of 1



**DANGER:** To help avoid possible serious personal injury or death,

- In the event that the cylinder retract port is ever restricted or plugged, a double-acting cylinder relief valve will help prevent excessive pressure from building in the cylinder. **DO NOT** attempt to adjust or service this relief valve! If oil leakage is detected from this relief valve, discontinue use of the cylinder immediately and contact **Power Team Technical Services**. Only Power Team Authorized Hydraulic Service Centers should service this relief valve.

Item No.	Part No.	No. Req'd	Description
1	38300	1	Serrated Insert
2	*10294	1	O-ring (2" x 1-3/4 x 1/8)
	†11447	1	O-ring (2" x 1-3/4 x 1/8)
3	10006	4	Soc. Hd. Cap Screw (1/4-20 x 5/8 Lg.; Torque to 140-160 in. lbs.)
4	38301	1	End Cap
5	*207608	1	Rod Wiper
	†206126	1	Rod Wiper
6	51270	1	Retainer Nut
7	†*19175	1	Teflon Backup Washer
8	*17480	1	O-ring (6" x 5-3/4 x 1/8)
	†206867	1	O-ring (6" x 5-3/4 x 1/8)
9	†206813	1	Teflon Backup Washer
10	*18932	1	U-cup (4-3/4 x 4-3/8 x 3/8)
	†206147	1	U-cup (4-3/4 x 4-3/8 x 1/16)
11	*18931	1	Rod Wiper
	†206124	1	Rod Wiper
12	58443	1	Piston
13	*18934	1	T-seal (Piston) & Backup Rings (Smooth side of Backup Ring must be against seal.)
	†19247	1	T-seal (Piston) & Backup Rings (Smooth side of Backup Ring must be against seal.)
14	†206812	1	Teflon Backup Washer
15	*18933	1	U-cup (3-1/4 x 2-3/4 x 3/8)
	†206148	1	U-cup (3-1/4 x 2-3/4 x 1/4)
16	38299	1	Standpipe
17	60537	1	Cylinder Body Assembly
18	9796	2	Ram Half Quick Coupler
19	18929	4	Set Screw (1/2-13 x 1/2 Lg.)
20	*10296	1	O-ring (3" x 2-3/4 x 1/8)
	†206866	1	O-ring (3" x 2-3/4 x 1/8)
21	†*19163	1	Teflon Backup Washer
22	10556	2	Set Screw (1/4-20 x 1/4 Lg.; For locking Standpipe [Item #16] and Retainer Nut [Item #6] in place.)

**PARTS INCLUDED BUT NOT SHOWN**

*37782	1	Warning Decal
251379	1	Trade Name Decal
†19526	2	O-ring (For coupler; 1" x 3/4 x 1/8)
†205724	1	Decal (Viton)
37782-CE	1	Warning Decal (For RH1006-PFAFF)
252186	1	Trade Name Decal (For RH1006-PFAFF)

Part numbers marked with an asterisk (\*) are contained in Standard Repair Kit No. 300295.  
Part numbers marked with a dagger (†) are contained in Viton Seal Kit No. 300227.



Refer to any operating instructions included with this product for detailed information about operation, testing, disassembly, reassembly, and preventive maintenance.

Items found in this list have been carefully tested and selected. **Therefore: Use only genuine Power Team replacement parts!**

Additional questions can be directed to our Technical Services Department.

Note: Shaded areas reflect last revision(s) made to this form.