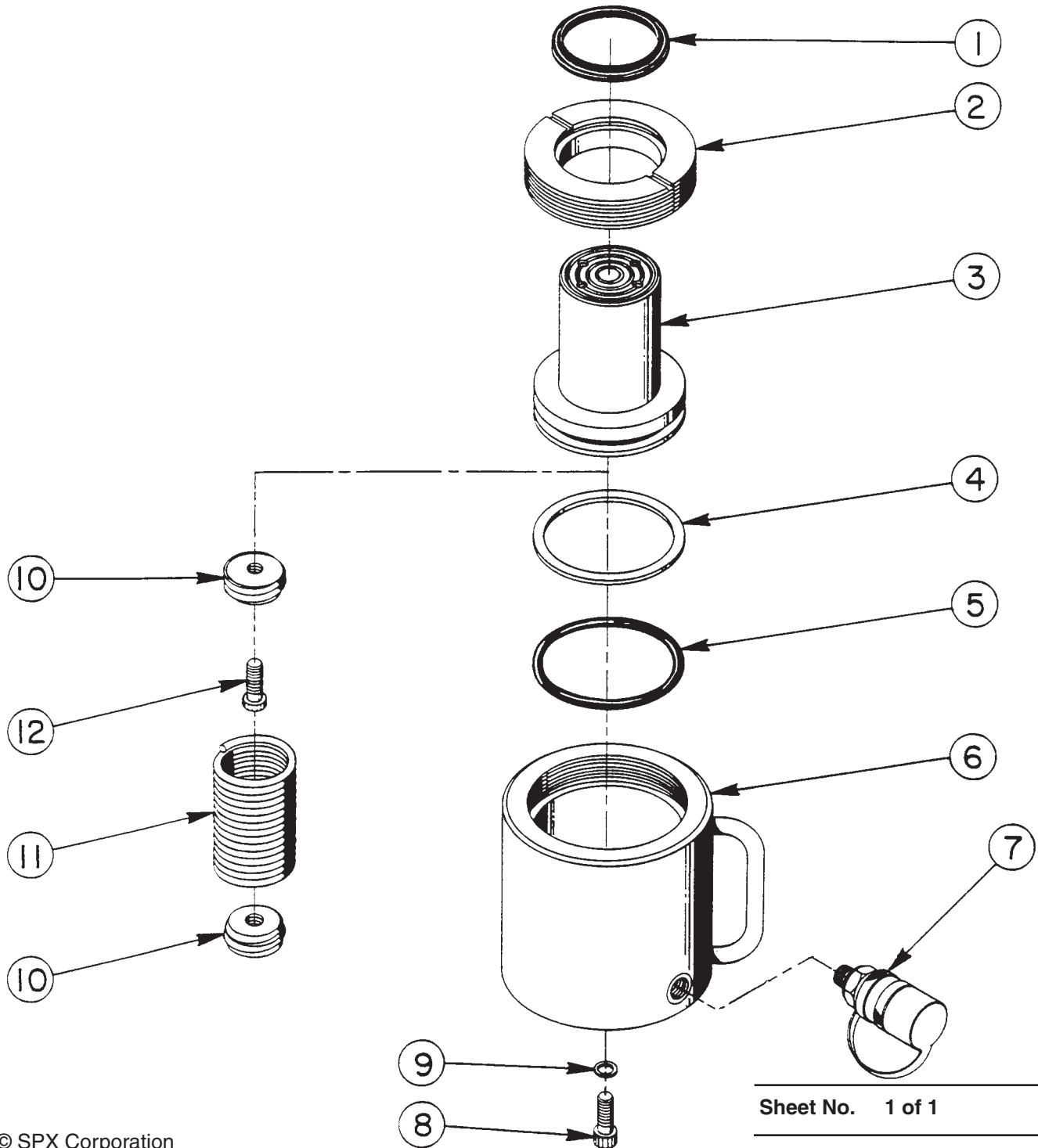


Parts List for:

RSS502
RSS502-PFAFF

MODEL B
SINGLE-ACTING, SPRING RETURN
HYDRAULIC CYLINDER
Max. Capacity: 50 Ton AT 10,394 PSI



Parts List, Form No. 101215, Back sheet 1 of 1

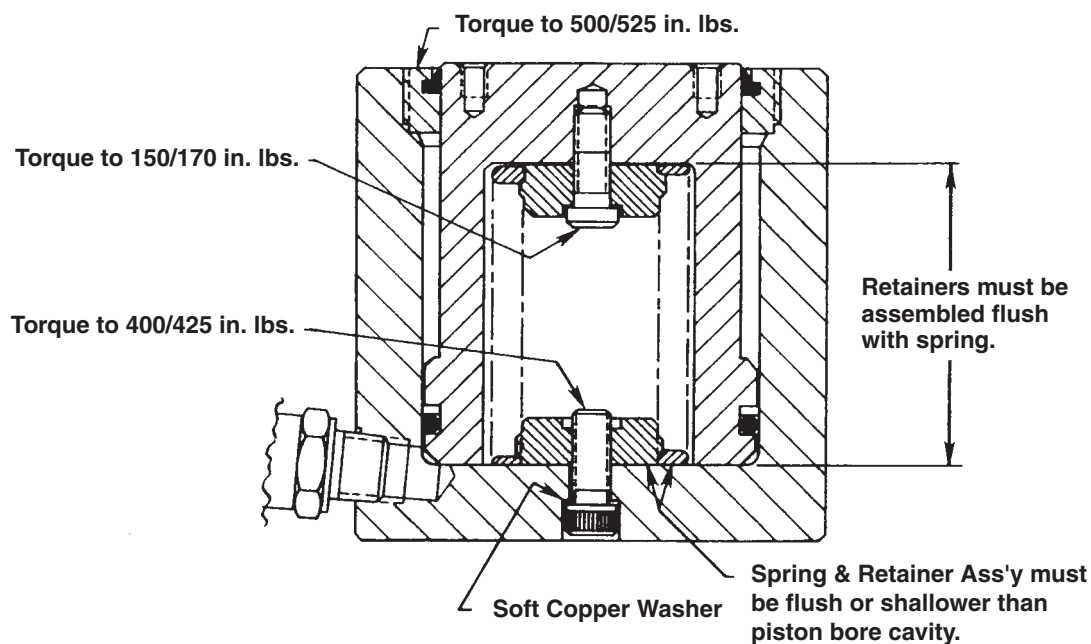
Item No.	Part No.	No. Req'd	Description
1	*16117	1	Rod Wiper
2	43601	1	Retainer Nut (Torque to 500/525 in. lbs.)
3	58100	1	Piston
4	*207575	1	Backup Washer (3-1/2 X 3-1/8 X .070)
5	*207576	1	O-ring (3-1/2 X 3-1/8 X 3/16)
6	44786	1	Cylinder Body
7	9796	1	Ram Half Coupler w/ Dust Cap
8	10050	1	Soc. Hd. Cap Screw (3/8-16 UNC x 1" Lg.; Torque to 400/425 in. lbs.)
9	*12042	1	Copper Washer (9/16 X 3/8 X 1/32)
10	39024	2	Spring Retainer
11	250377	1	Extension Spring
12	19995	1	Low Soc. Hd. Cap Screw (3/8-16 UNC X 1" Lg.; Torque to 150/170 in. lbs.)

PARTS INCLUDED BUT NOT SHOWN

*203908	1	Warning Decal
203908-CE	1	Warning Decal (For RSS502-PFAFF)
250378	1	Trade Name Decal (For RSS502)
252184	1	Trade Name Decal (For RSS502-PFAFF)
252016	1	Decal/Serial (For RSS502-PFAFF)

Part numbers marked with an asterisk (*) are contained in Repair Kit No. 300292.

ASSEMBLY INSTRUCTIONS



Refer to any operating instructions included with this product for detailed information about operation, testing, disassembly, reassembly, and preventive maintenance.

Items found in this parts list have been carefully tested and selected. **Therefore: Use only genuine Power Team replacement parts!**

Additional questions can be directed to our Technical Services Department.

NOTE: Shaded areas reflect last revision(s) made to this form.