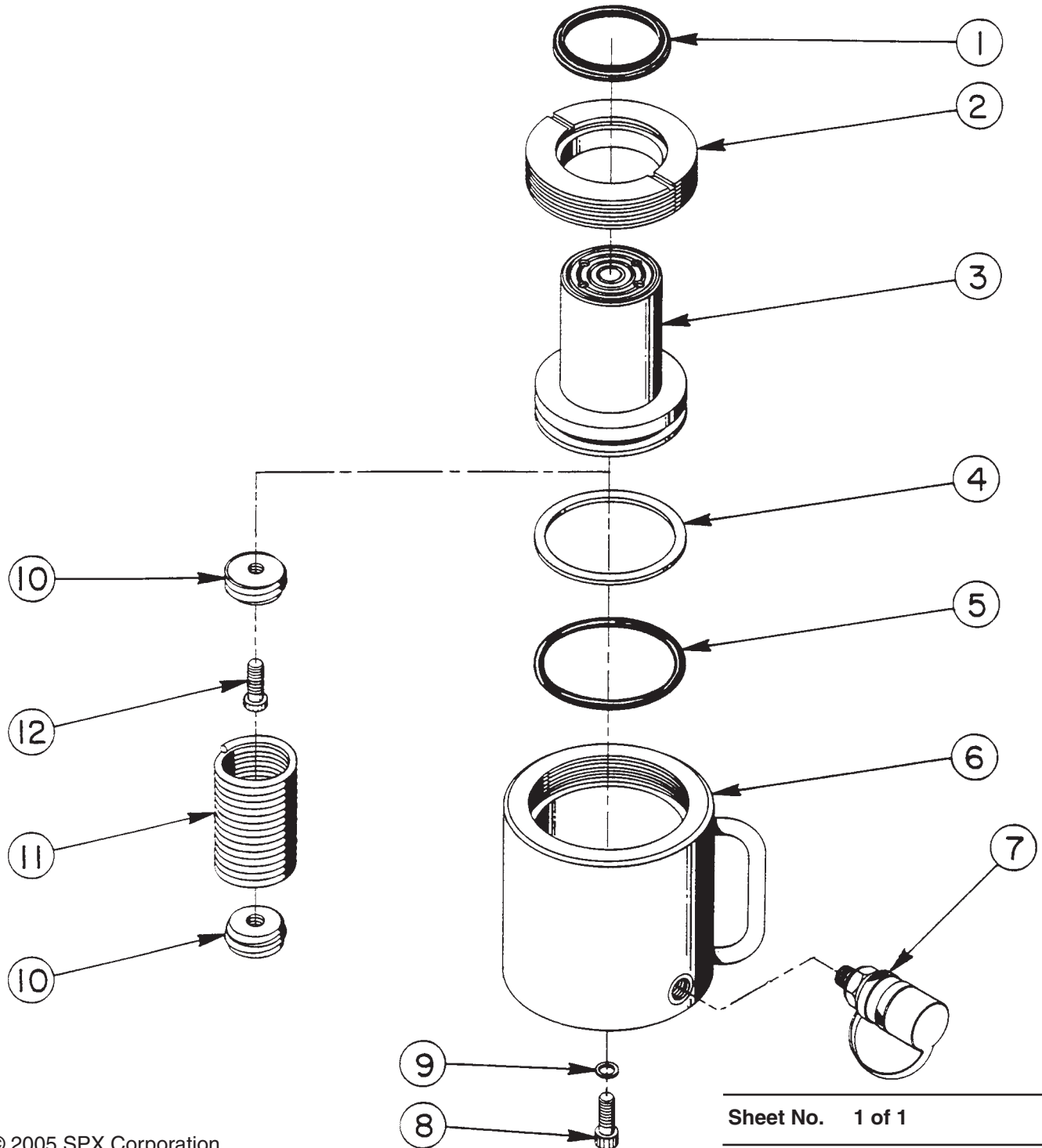


MODEL C
SINGLE-ACTING, SPRING RETURN
HYDRAULIC CYLINDER
Max. Capacity: 32.5 Ton at 10,000 PSI



Parts List, Form No. 101218, Back sheet 1 of 1

Item No.	Part No.	No. Req'd	Description
1	*204969	1	Rod Wiper
2	38963	1	Retainer Nut (Torque to 500/525 in. lbs.)
3	420218	1	Piston Rod
4	*19151	1	Backup Washer (2-7/8 x 2-1/2 x 3/16)
5	*11763	1	O-ring (2-7/8 x 2-1/2 x 3/16)
6	44789OR9	1	Cylinder Body
7	9796	1	Ram Half Coupler w/ Dust Cap (For RSS302 & RSS302K)
	251616	1	Quick Coupler Plug (For RSS302-IMT)
8	11013	1	Soc. Hd. Cap Screw (5/16-18 UNC x 1" Lg.; Torque to 170/180 in. lbs.)
9	*11031	1	Special Washer
10	350478	2	Spring Retainer
11	250387	1	Extension Spring (Stretch, clean & lubricate before assembly)
12	19253	1	Soc. Hd. Cap Screw (3/8-16 UNC x 1" Lg.; Torque to 170/180 in. lbs.)

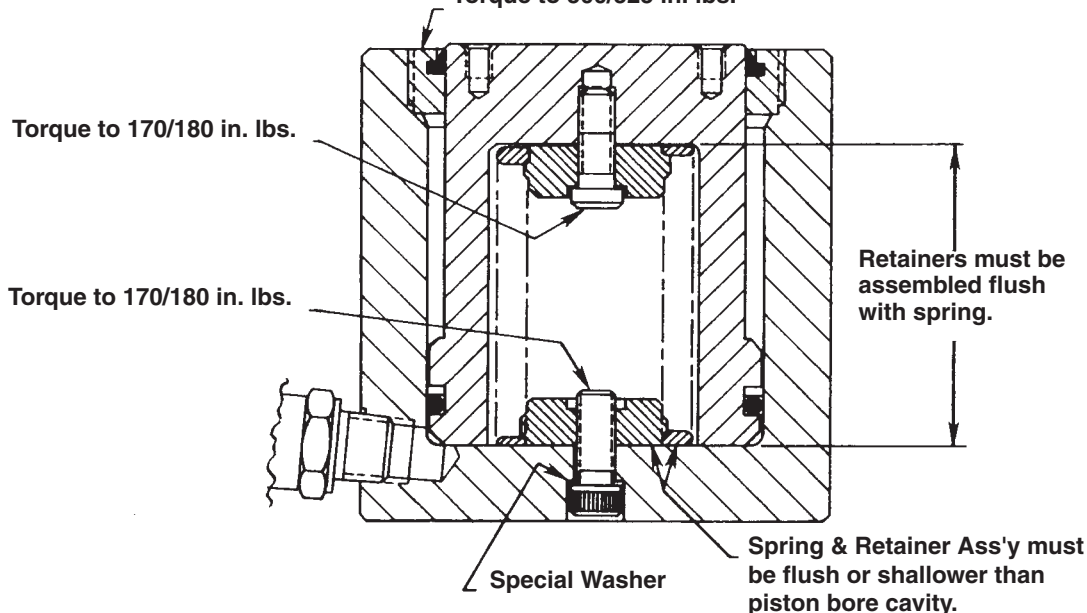
PARTS INCLUDED BUT NOT SHOWN

420665OR9	1	Handle Assembly (For RSS302K)
9682	1	Straight Fitting (For RSS302-IMT)
*203908	1	Warning Decal
250389	1	Trade Name Decal

Part numbers marked with an asterisk (*) are contained in Repair Kit No. 300297.

ASSEMBLY INSTRUCTIONS

Torque to 500/525 in. lbs.



Refer to any operating instructions included with this product for detailed information about operation, testing, disassembly, reassembly, and preventive maintenance.

Items found in this parts list have been carefully tested and selected. **Therefore: Use only genuine Power Team replacement parts!**

Additional questions can be directed to our Technical Services Department.

Note: Shaded areas reflect last revision(s) made to this form.