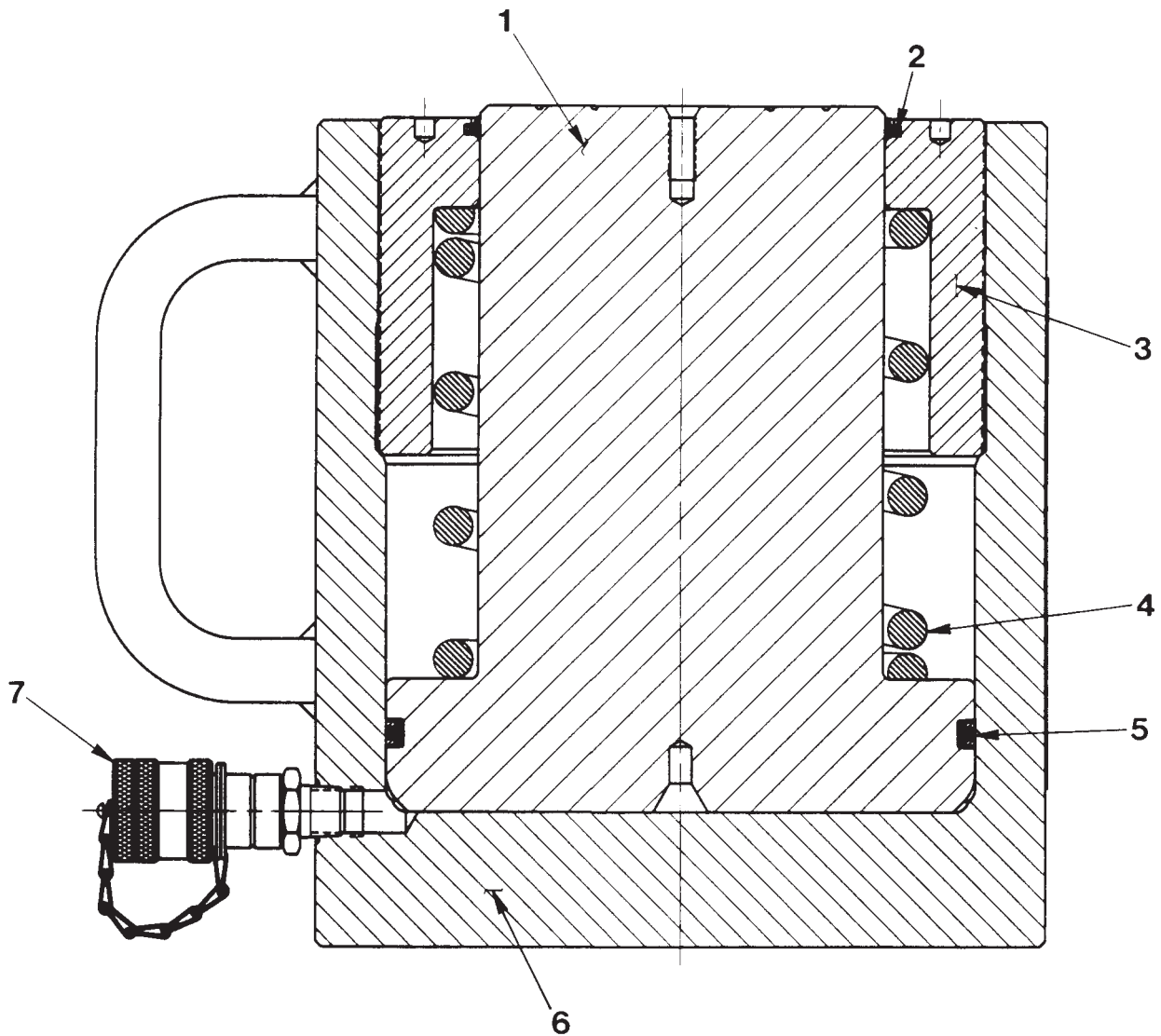


HYDRAULIC CYLINDER

Max. Capacity: 251.1 Tons at 10,000 PSI



Item No.	Part No.	No. Req'd	Description
1	58023	1	Piston Rod
2	250049	1	Rod Wiper
3	420025	1	Retainer Nut
4	250050	1	Compression Spring
5	250048	1	T-Seal with Backup Rings
6	64014	1	Cylinder Body
7	25600	1	Ram Half Quick Coupler

PARTS INCLUDED BUT NOT SHOWN

37782	1	Warning Decal
350040	1	Trade Name Decal

Refer to any operating instructions included with this product for detailed information about operation, testing, disassembly, reassembly, and preventive maintenance.

Items found in this parts list have been carefully tested and selected. **Therefore: Use only genuine replacement parts!**

Additional questions can be directed to our Technical Services Department.