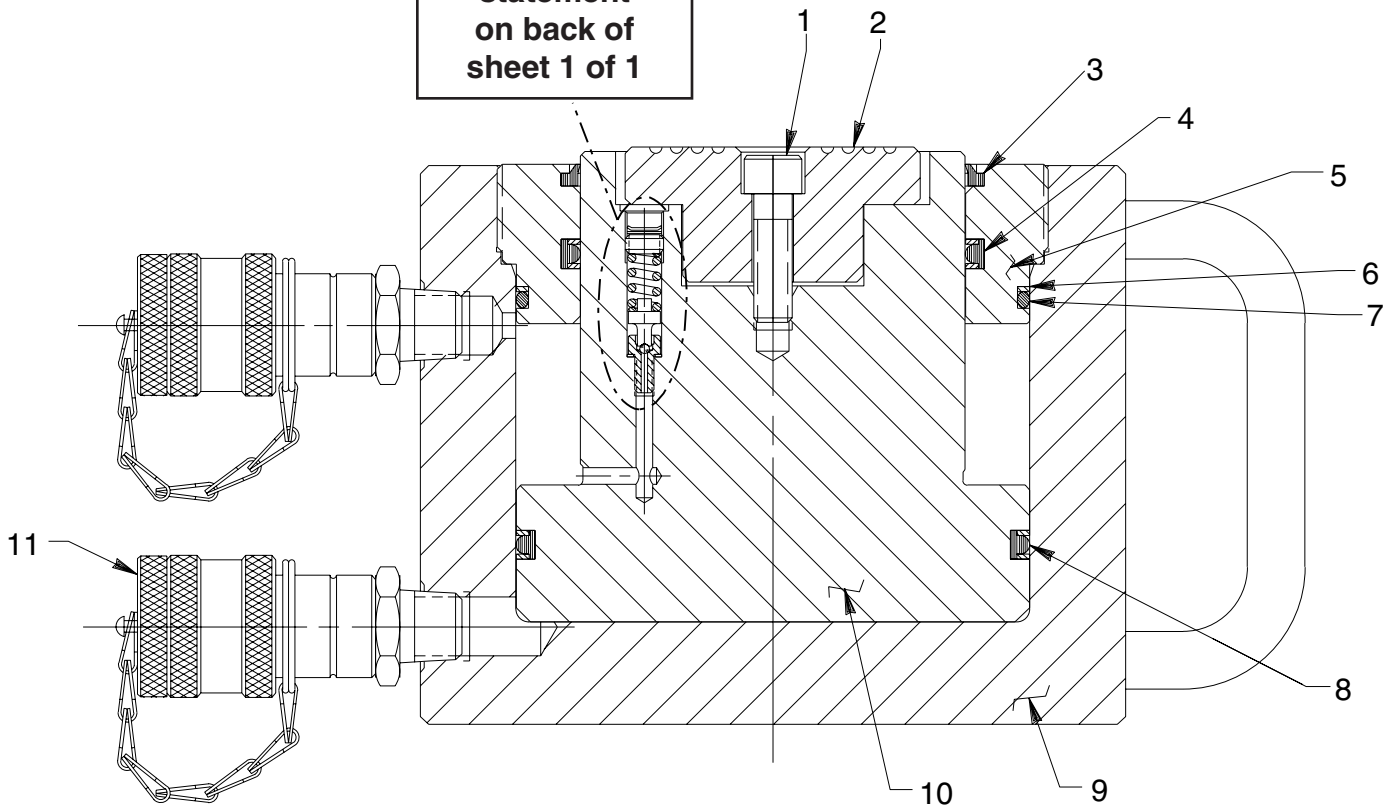


**DOUBLE-ACTING  
HYDRAULIC CYLINDER**  
Max. Capacity: 98.2 Ton at 10,000 PSI

**Double-acting  
Cylinder  
Relief Valve**

See important

**! DANGER**  
statement  
on back of  
sheet 1 of 1





**DANGER:** To help avoid possible serious personal injury or death,

- In the event that the cylinder retract port is ever restricted or plugged, a double-acting cylinder relief valve will help prevent excessive pressure from building in the cylinder. **DO NOT** attempt to adjust or service this relief valve! If oil leakage is detected from this relief valve, discontinue use of the cylinder immediately and contact **Power Team Technical Services**. Only Power Team Authorized Hydraulic Service Centers should service this relief valve.

Item No.	Part No.	No. Req'd	Description
1	10053	1	Soc. Hd. Cap Screw (3/8-16 UNC x 1-1/4 Lg.)
2	305070	1	Serrated Insert
3	*250008	1	Rod Wiper
4	*250007	1	Rod-T-Seal Packing (-343)
5	58004	1	Retainer Nut
6	*19173	1	Backup Washer (5" x 4-3/4 x .048, -248)
7	*12199	1	O-ring (5" x 4-3/4 x 1/8, -248)
8	*15380	1	Piston T-Seal with Backups (5" x 4-5/8 x 3/16, -350)
9	58005	1	Cylinder Body
10	420005	1	Piston Rod
11	25600	2	Quick Coupler (Ram Half)

**PARTS INCLUDED BUT NOT SHOWN**

*203908	1	Warning Decal
250009	1	Trade Name Decal

Part numbers marked with an asterisk (\*) are contained in Repair Kit No. 300578.

Refer to any operating instructions included with the product for detailed information about operation, testing, disassembly, and preventive maintenance.

Items found in this parts list have been carefully tested and selected. **Therefore: Use only genuine Power Team replacement parts!**

Additional questions can be directed to our Technical Services Department.