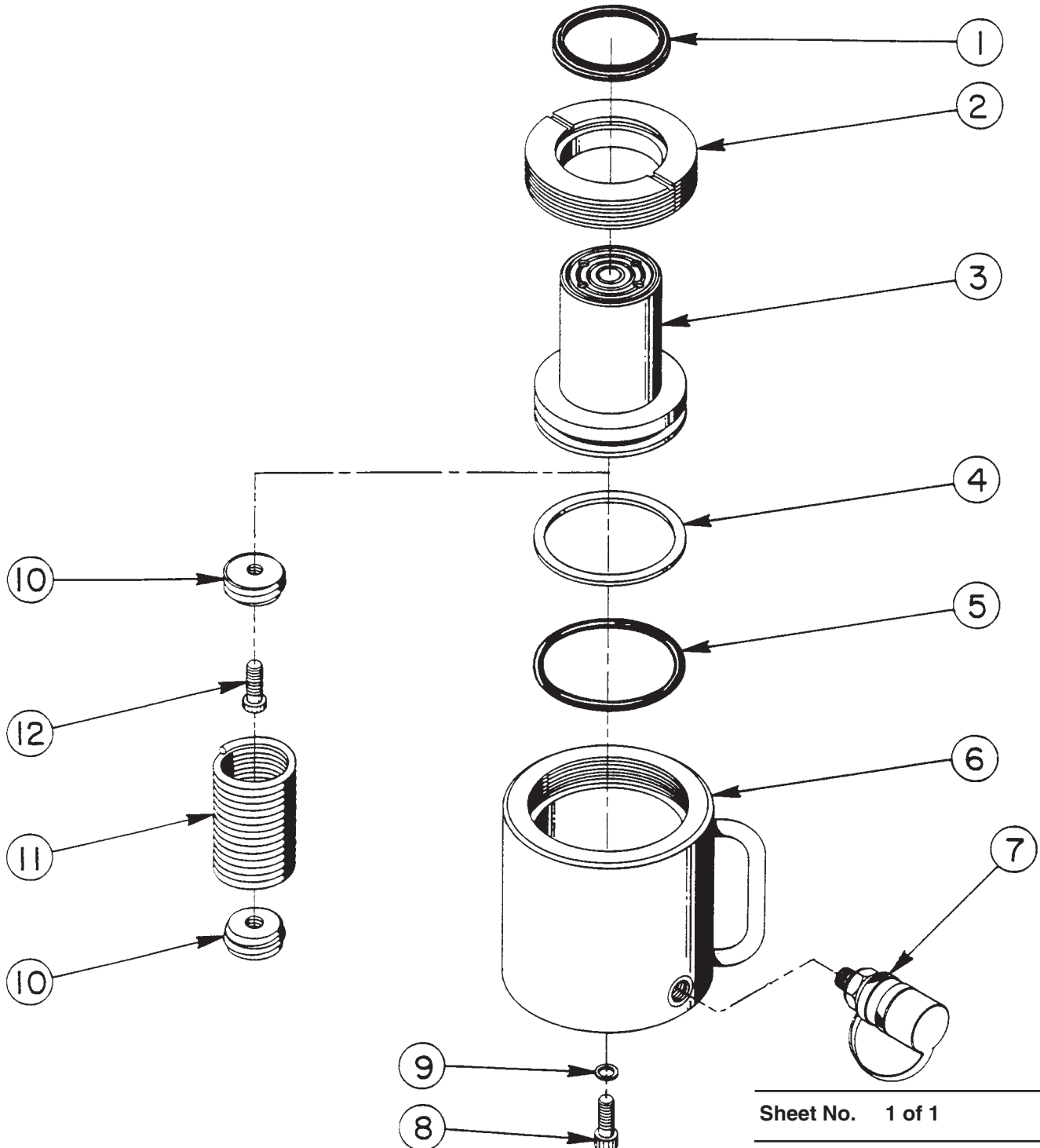


Parts List for:

RSS1002  
RSS1002-PFAFF  
RSS1002V

**MODEL B**  
**SINGLE-ACTING, SPRING RETURN**  
**HYDRAULIC CYLINDER**  
Max. Capacity: 100 Ton at 10,186 PSI



# Parts List, Form No. 101214, Back sheet 1 of 1

Item No.	Part No.	No. Req'd	Description
1	*207608	1	Rod Wiper (For RSS1002 & RSS1002-PFAFF)
	206126	1	Rod Wiper (For RSS1002V)
2	43683	1	Retainer Nut (Torque to 500/525 in. lbs.)
3	58094	1	Piston Rod
4	*19349	1	Backup Washer
5	*207601	1	O-ring (For RSS1002 & RSS1002-PFAFF)
	250010	1	O-ring (For RSS1002V)
6	51956	1	Cylinder Body
7	9796	1	Ram Half Coupler w/ Dust Cap
8	10053	1	Soc. Hd. Cap Screw (For RSS1002-PFAFF; 3/8-16 UNC X 1-1/4 Lg.; Torque to 400/425 in. lbs.)
	10984	1	Soc. Hd. Cap Screw (For RSS1002 & RSS1002V; 3/8-16 UNC x 1-1/2 Lg.)

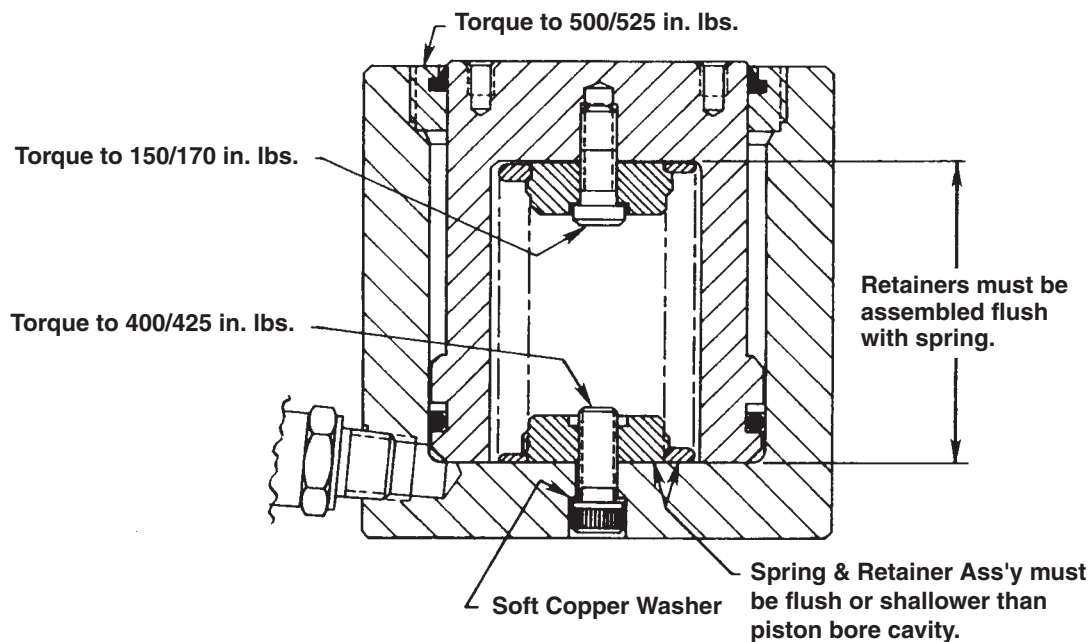
Item No.	Part No.	No. Req'd	Description
9	*12042	1	Copper Washer
10	350479	2	Spring Retainer
11	250358	1	Extension Spring (Stretch, clean and lubricate before assembly.)
12	19995	1	Soc. Hd. Cap Screw (3/8-16 UNC x 1" Lg.; Torque to 150/170 in. lbs.)

### PARTS INCLUDED BUT NOT SHOWN

*203908	1	Warning Decal
203908-CE	1	Warning Decal (For RSS1002-PFAFF)
250360	1	Trade Name Decal (For RSS1002 & RSS1002V)
252186	1	Trade Name Decal (For RSS1002-PFAFF)
252018	1	Decal/Serial (For RSS1002-PFAFF)

Part numbers marked with an asterisk (\*) are contained in Repair Kit No. 300293.

## ASSEMBLY INSTRUCTIONS



Refer to any operating instructions included with this product for detailed information about operation, testing, disassembly, reassembly, and preventive maintenance.

Items found in this parts list have been carefully tested and selected. **Therefore: Use only genuine Power Team replacement parts!**

Additional questions can be directed to our Technical Services Department.

Note: Shaded areas reflect last revision(s) made to this form.