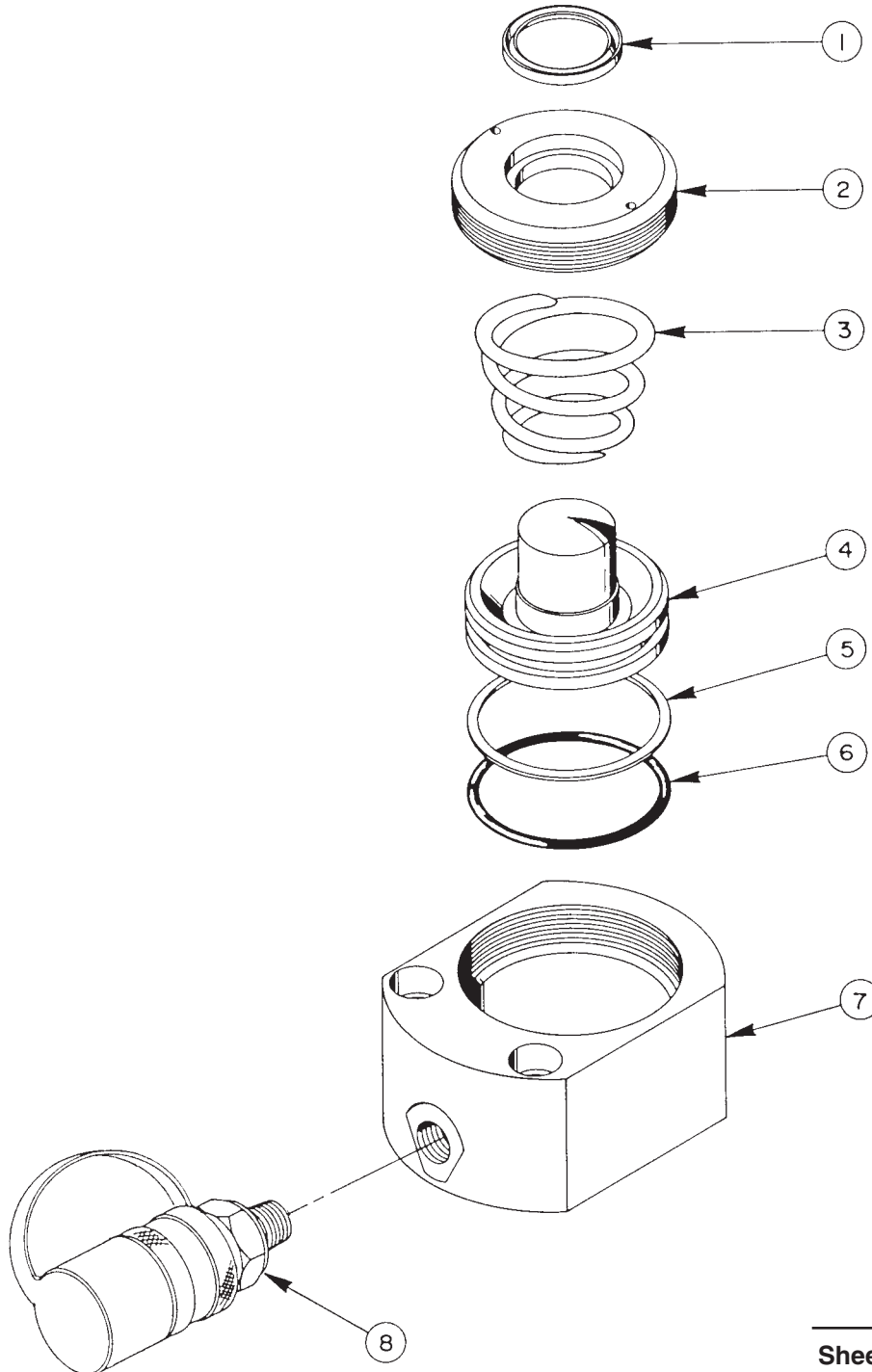


**SINGLE-ACTING, SPRING RETURN
HYDRAULIC CYLINDER**
Max. Capacity: 48.1 Tons at 10,000 PSI



Parts List, Form No. 100637, Back sheet 1 of 1

Item No.	Part No.	No. Req'd	Description
1	*212160	1	Rod Wiper
2	52627	1	Retainer (Torque to 500/525 in. lbs.)
3	306378	1	Compression Spring
4	46250	1	Piston
5	*19166	1	Backup Washer (-236)
6	*10297	1	O-ring (3-1/2 X 3-1/4 X 1/8, -236)
7	52626	1	Cylinder Body
8	9796	1	Ram Half Coupler w/Dust Cap (For RLS500)
	210916	1	Coupler (For 5RLS500S)

PARTS INCLUDED BUT NOT SHOWN

16473	1	Patent Decal
*203908	1	Warning Decal
212033	1	Trade Name Decal (For RLS500)
212358	1	Trade Name Decal (For 5RLS500S)

Part numbers marked with an asterisk (*) are contained in Repair Kit No. 300458.

Refer to any operating instructions included with this product for detailed information about operation, testing, disassembly, reassembly, and preventive maintenance.

Items found in this parts list have been carefully tested and selected. **Therefore: Use only genuine Power Team replacement parts!**

Additional questions can be directed to our Technical Services Department.

Note: Removed 205275 Warning Decal.