

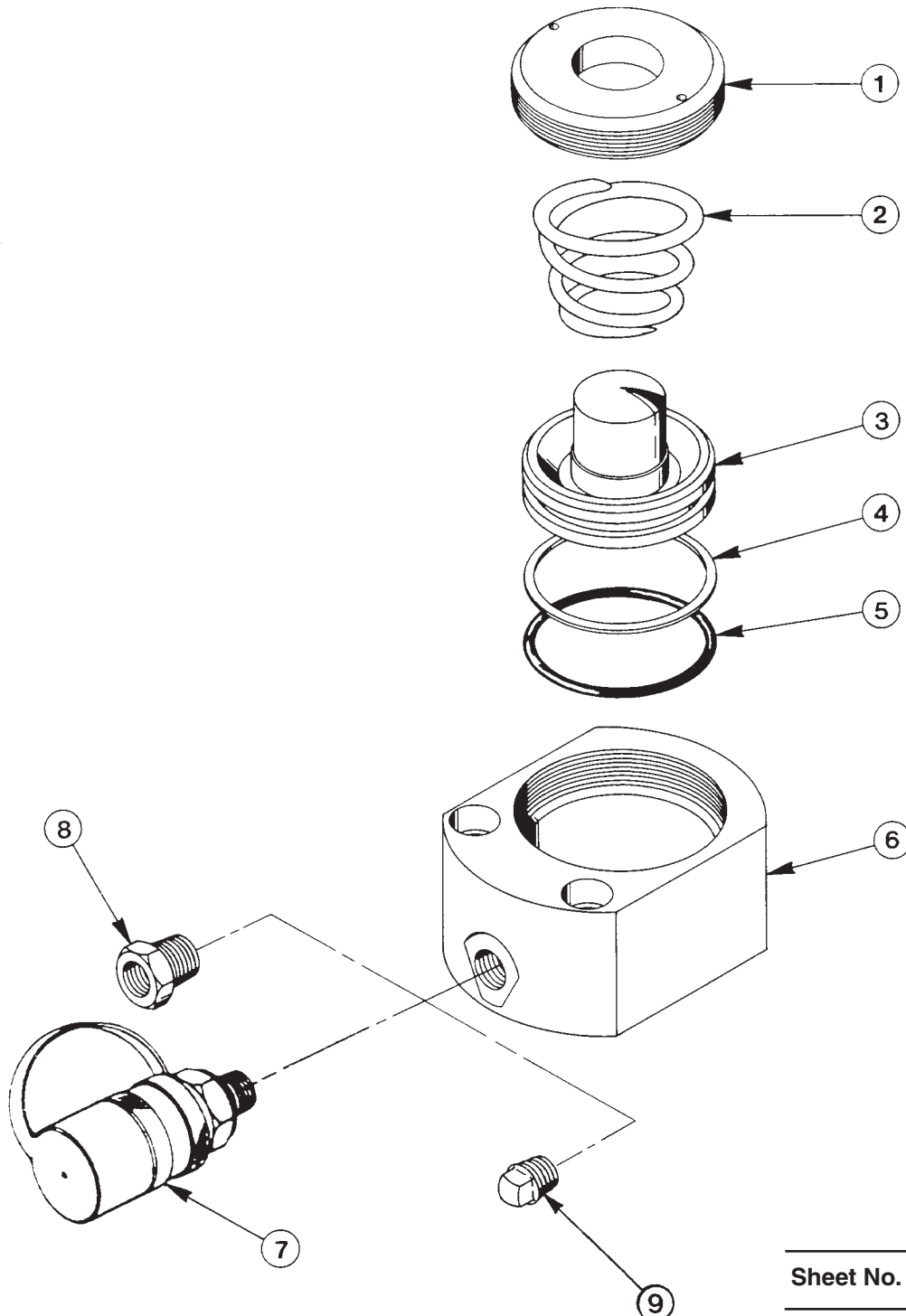
Parts List for:

5RLS50S
100203
100203-AH

RLS50
RLS50-GL
RLS50-PFAFF

SINGLE-ACTING, SPRING RETURN HYDRAULIC CYLINDER

Max. Capacity: 2.5 Tons at 5,000 PSI; 5 Tons at 10,000 PSI



Item No.	Part No.	No. Req'd	Description
1	46176	1	Retainer (Torque to 200/250 in. lbs.)
2	212000	1	Compression Spring (1" O.D. tapered X 1-5/8 Lg.; not used on 100203-AH)
3	46174	1	Piston
4	*211994	1	Backup Washer (1-1/8 X 1" X 3/64)
5	*19543	1	O-ring (1-1/8 X 1" X 1/16)
6	46175	1	Cylinder Body
7	9796	1	Cylinder Half Coupler w/Dust Cap (for RLS50 & RLS50-PFAFF)
	210916	1	Coupler (for 5RLS50S)
8	10676	1	Straight Fitting (for 100203)
9	11127	1	Pipe Plug (for 100203-AH & RLS50-GL)

PARTS INCLUDED BUT NOT SHOWN

16473	1	Patent Decal
*212064	1	Warning Decal
212064-CE		Warning Decal (for RLS50-PFAFF)
351910	1	Trade Name Decal (for RLS50 & RLS50-GL)
212354	1	Trade Name Decal (for 5RLS50S)
215829	1	Trade Name Decal (for 100203, 100203-AH)
251930	1	Trade Name Decal (for RLS50-PFAFF)
252182		Decal (for RLS50-PFAFF)

Part numbers marked with an asterisk (*) are contained in Repair Kit No. 300454.

Refer to any operating instructions included with this product for detailed information about operation, testing, disassembly, reassembly, and preventive maintenance.

Items found in this parts list have been carefully tested and selected. **Therefore: Use only genuine Power Team replacement parts!**

Additional questions can be directed to our Technical Services Department.

Note: Shaded areas reflect last revision(s) made to this form.