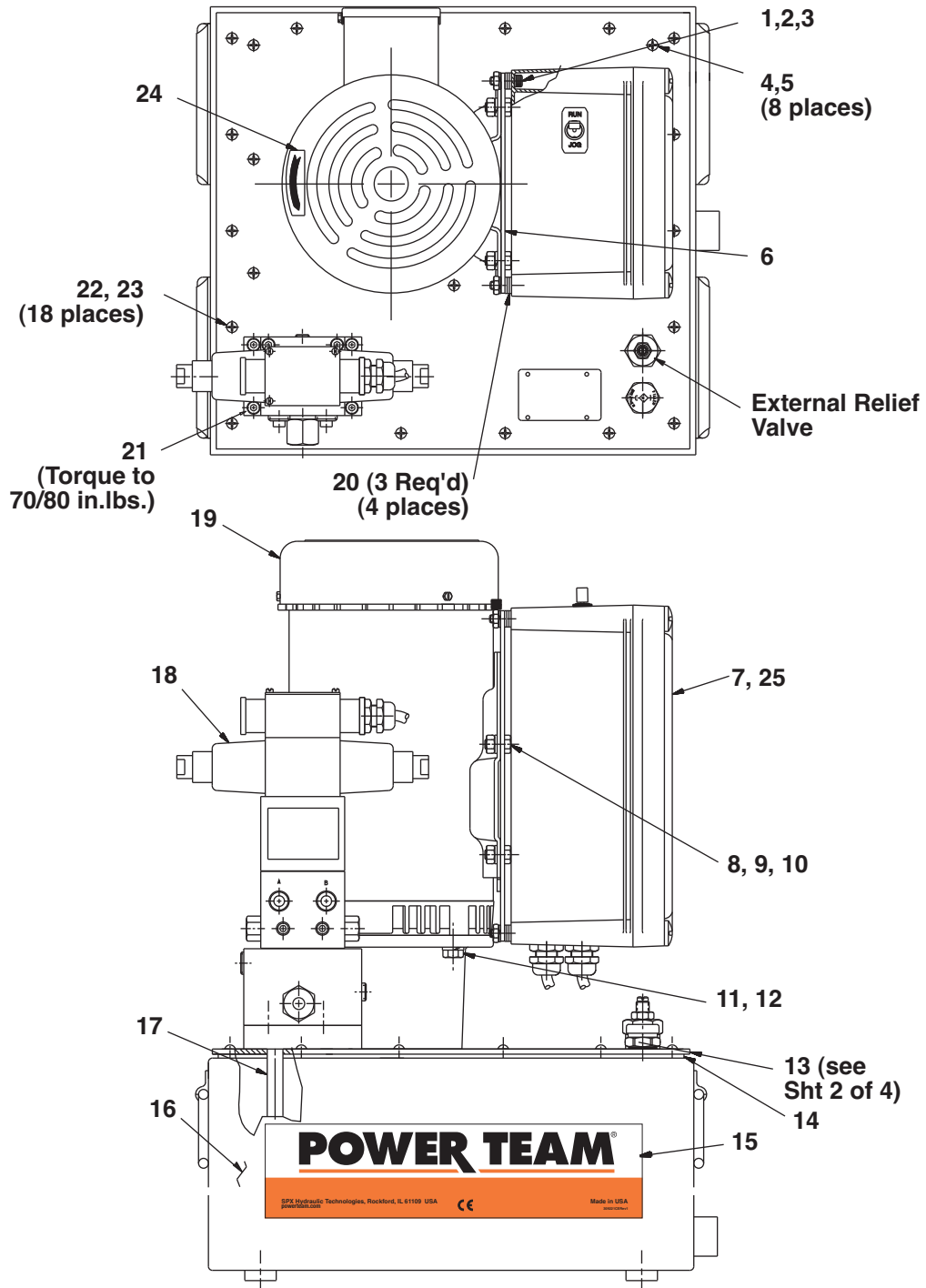


Parts List for:



PQ1204-E380  
PQ1204S-E380  
PQ1203S-E380

## MODEL C ELECTRIC TWO-STAGE HYDRAULIC PUMP

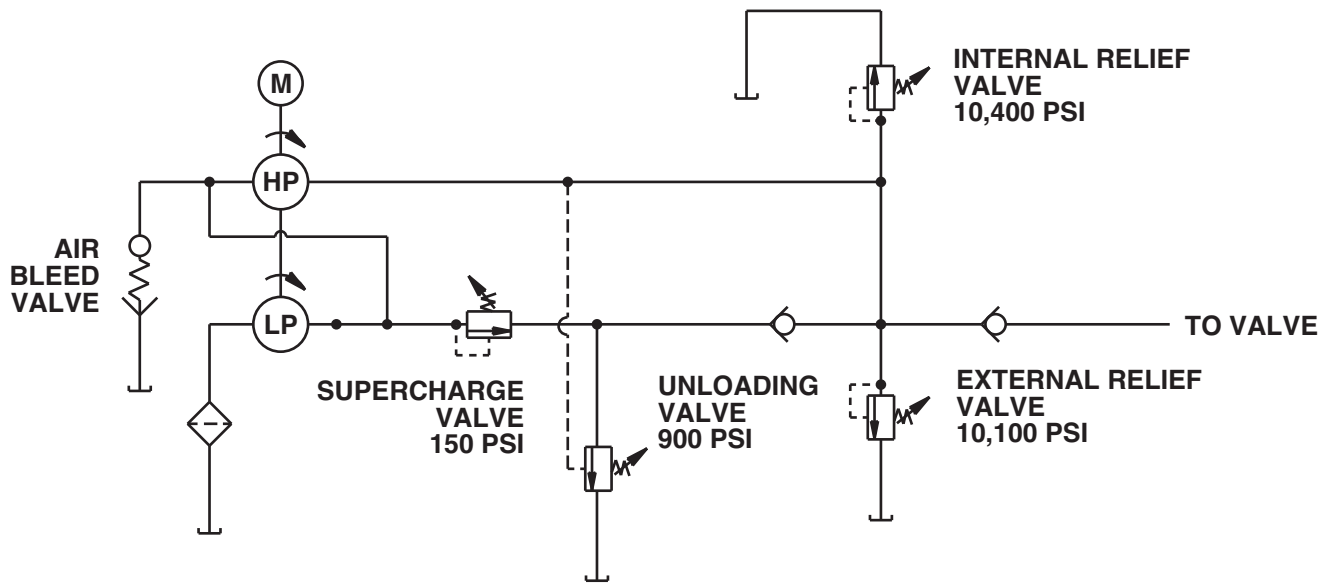


# Parts List, Form No. 108202, Back sheet 1 of 4

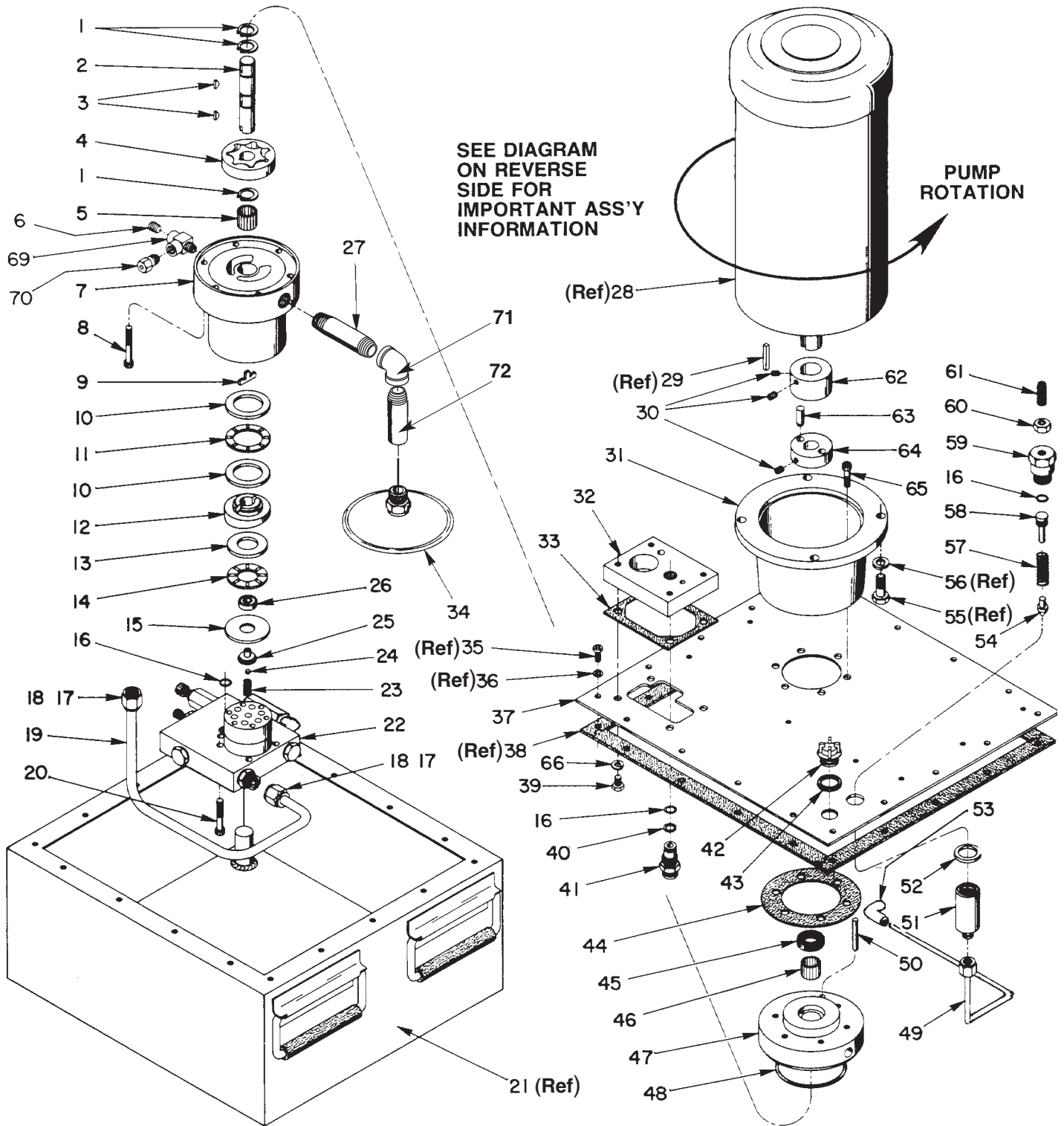
Item No.	Part No.	No. Req'd	Description
1	10008	4	Screw, Soc.Hd. (1/4-20 x 3/4 Lg.)
2	10245	4	Washer, Lock (.49 x .26)
3	10199	4	Nut, Hex (1/4-20)
4	16613	8	Screw, Pan.Hd. (10-24 unc x .312)
5	11108	8	Washer, Tooth Ext. (.40 x-.20)
6	58741BK2	1	Bracket, Mounting
7	66586-4S	1	Motor Control
8	10027	4	Screw, Hex Hd. (5/16-18 x 5/8 Lg.)
9	10246	4	Washer, Lock (.59 x .32)
10	10201	4	Nut, Hex (5/16-18)
11	10049	4	Screw, Hex Hd. (3/8-16 x 1 Lg.)
12	10247	4	Washer, Lock (.68 x .39)
13	3000458	1	Pump, Basic

Item No.	Part No.	No. Req'd	Description
14	50712	1	Gasket, Reservoir
15	309221CE	2	Decal, (Tradename Power Team CE)
16	60234OR9	1	Reservoir
17	200609	1	Tube, Drain
18	16664-4	1	Valve, Solenoid 24V
19	501077	1	Motor, Electric
20	12719	12	Washer, Plain (.63 x .29)
21	10856	4	Screw, Soc.Hd. (1/4-20 x 2-1/2 Lg.)
22	16876	18	Screw, Pan.Hd. (10-24 unc x .50)
23	12356	18	Washer, Tooth Ext. (.37 x-.20)
24	202504	1	Decal, Rotation Direction
25	27778	1	Key

## HYDRAULIC SCHEMATIC



### BASIC PUMP ASSEMBLY

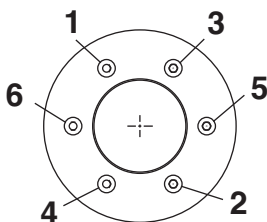


# Parts List, Form No. 108202, Back sheet 2 of 4

Item No.	Part No.	No. Req'd	Description
1	12178	3	Retaining Ring
2	303009	1	Pump Shaft
3	12179	2	Woodruff Key
4	15428	1	Gerotor Set
5	15461	1	Needle Bearing
6	10427	1	Pipe Plug (1/8 NPTF)
7	50705	1	Pump Housing
8	10854	6	Soc. Hd. Cap Screw (1/4-20 X 1-3/4 Lg.; See note Below)
9	200397	1	Key
10	11227	2	Needle Thrust Race
11	11228	1	Needle Thrust Bearing
12	35271	1	Angle Plate
13	15432	1	Needle Thrust Race
14	15431	1	Needle Thrust Bearing
15	23548	1	Top Plate
16	10268	3	O-ring (1/2 X 3/8 X 1/16)
17	214270	2	Tube Sleeve
18	214269	2	Tube Nut
19	35281	1	Oil Line (3/8 Dia.)
20	10022	5	Soc. Hd. Cap Screw (1/4-20 X 1-1/2 Lg.; Torque to 110/120 in. lbs.)
21	60234OR9	1	Reservoir
22	41833	1	High Pressure Pump Ass'y (See sheet 3 of 5; Adjustment required)
23	10361	1	Compression Spring (1/4 O.D. X 1" Lg.)
24	10375	1	Steel Ball (1/4 Dia.)
25	23547	1	Top Bearing Plate
26	11814	1	Ball Bearing
27	260022	1	Straight Fitting
28	501077	1	Motor (3 H.P., 220/380V or 230/460V, 50/60 Hz)
29	27778	1	Square Key
30	10133	3	Soc. Hd. Set Screw (#10-24 X 1/4 Lg.)
31	41838	1	Motor Mount
32	43110	1	Valve Mounting Block
33	200395	1	Gasket
34	21345	1	Filter Ass'y
35	16876	18	Mach. Screw (#10-24 X 1/2 Lg.)

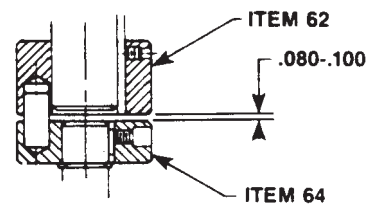
Item No.	Part No.	No. Req'd	Description
36	12356	18	Serrated Washer (#10 Internal)
37	60922	1	Cover Plate (.164 Thk.)
38	50712	1	Cover Gasket
39	10005	4	Cap Screw (1/4-20 X 1/2 Lg.)
40	11863	1	Backup Washer (1/2 X 3/8 X 1/16)
41	20787	1	Connector
42	20937	1	Vent Cap
43	200415	1	O-ring (-114)
44	35266	1	Gasket
45	12194	1	Seal
46	15430	1	Needle Bearing
47	50706	1	Gerotor Pump Housing
48	12504	1	O-ring (3" X 2-13/16 X 3/32)
49	350524	1	Oil Line Ass'y with Fittings (3/16 Dia.)
50	13152	1	Dowel Pin (3/16 X 1-1/2 Lg.)
51	22361	1	Body
52	14857	1	Flat Washer (.062 Thk.)
53	16177	1	90° Elbow Fitting
54	21046	1	Valve Stem
55	10049	4	Cap Screw (3/8-16 X 1" Lg.)
56	10247	4	Lockwasher
57	10495	1	Compression Spring (1/2 O.D. X 1-5/8 Lg.)
58	21306	1	Spring Guide
59	21305	1	Valve Cap
60	10386	1	Hex Nut (3/8-24)
61	22362	1	Valve Adjusting Screw
62	207440	1	Coupling
63	27003	2	Nylon Pin
64	27001	1	Coupling
65	10012	6	Cap Screw (1/4-20 X 7/8 Lg.; Torque to 110/120 in. lbs.)
66	10244	4	Lockwasher
69	18969	1	Tee Fitting
70	306957	1	Air Bleed Valve
71	260023	1	90° Elbow Fitting
72	260021	1	Tube Extension

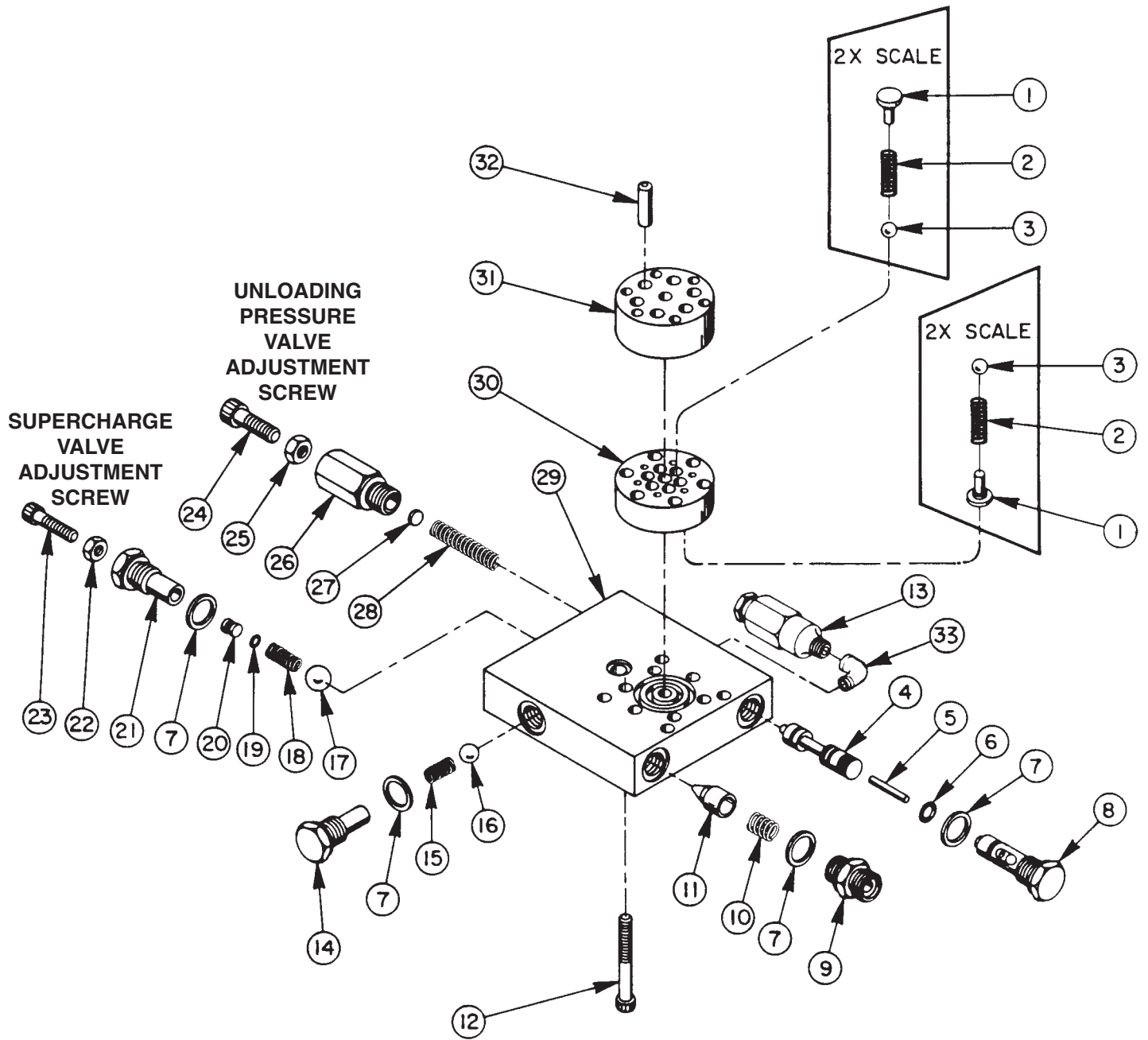
## BOLT TIGHTENING SEQUENCE (For 50705)



1. All bolts must be initially hand tightened in sequence shown (do not exceed 10 in. lbs.)
2. All bolts must be torqued in sequence shown. Torque to 110/120 in. lbs. in increments of 50/60 in. lbs.

## COUPLING CLEARANCE





SEE DIAGRAM ON REVERSE  
SIDE FOR IMPORTANT  
ASSEMBLY INFORMATION

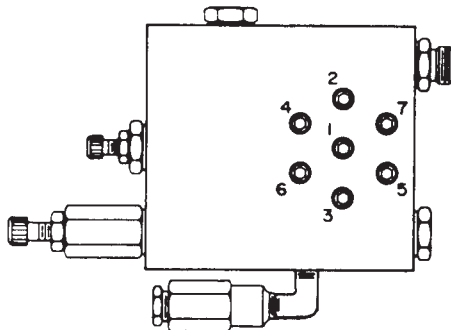
**Note: Supercharge Valve and Unloading Pressure Valve of the high pressure pump assembly are NOT factory set! They require adjustment at final pump assembly. Refer to the pump's hydraulic schematic for specifications.**

**HIGH PRESSURE PUMP ASSEMBLY**

Item No.	Part No.	No. Req'd	Description	Item No.	Part No.	No. Req'd	Description
1	*24549	12	Ball Guide	17	10379	1	Steel Ball (1/2 Dia.)
2	*10445	12	Compression Spring (5/32 O.D. X 3/4 Lg.)	18	15319	1	Compression Spring (1/4 O.D. X 3/4 Lg.)
3	*12223	12	Steel Ball (3/16 Dia.)	19	12099	1	O-ring (9/32 X 5/32 X 1/16)
4	200273	1	Spool	20	200271	1	Adapter
5	16471	1	Dowel Pin (1/8 X 1" Lg.)	21	200270	1	Fitting, Super charge (Torque to 30/35 ft. lbs.)
6	14763	1	O-ring (7/16 X 5/16 X 1/16)	22	10383	1	Finished Jam Nut (1/4-20)
7	10261	4	Copper Washer (3/4 X 19/32 X 1/32)	23	10016	1	Soc. Hd. Cap Screw (1/4-20 X 1" Lg.)
8	202561	1	Adapter, Actuating Pin (Torque to 30/35 ft. lbs.)	24	10809	1	Soc. Hd. Cap Screw (5/16-18 X 1" Lg.)
9	20770	1	Connector (Torque to 30/35 ft. lbs.)	25	10385	1	Finished Jam Nut (5/16-18)
10	10425	1	Compression Spring (3/8 O.D. X 3/4 Lg.)	26	36545	1	Fitting, Unloading
11	20771	1	Poppet	27	16528	1	Disc
12	*15318	7	Soc. Hd. Cap Screw (1/4-28 X 2" Lg.; See diagram below)	28	203031	1	Compression Spring (.300 O.D. X 1-3/4 Lg.)
13	21278	1	Relief Valve Ass'y (Set at 10,100/10,700 PSI)	29	*50691	1	Valve Body
14	200269	1	Adapter Plug (Torque to 30/35 ft. lbs.)	30	*41048	1	Valve Head
15	11451	1	Compression spring (1/4 O.D. X 5/8 Lg.)	31	*41063	1	Pump Barrel
16	10378	1	Steel Ball (3/8 Dia.)	32	*21628	6	Piston (9/32 Dia.)
				33	13229	1	90° Elbow Fitting

Consult Factory when replacing items marked with an asterisk (\*).

**BOLT TIGHTENING SEQUENCE**



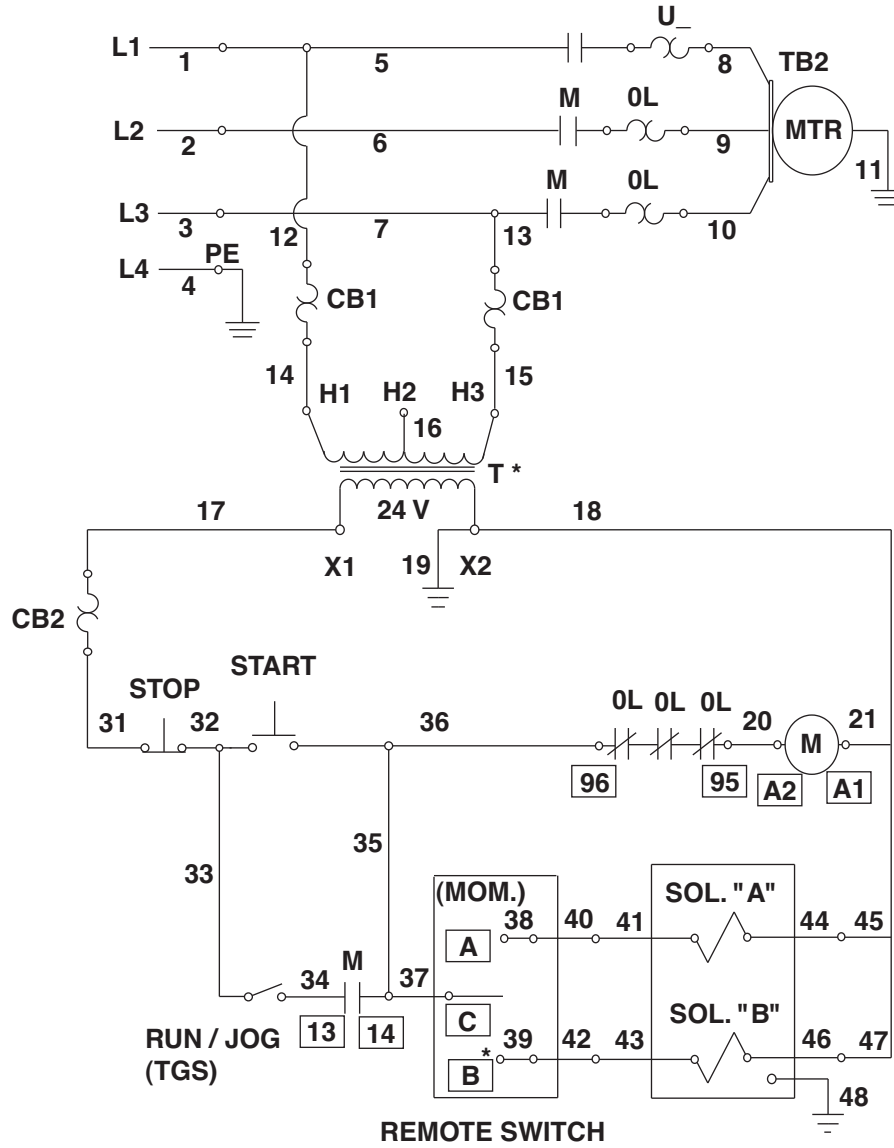
**NOTE: Assemble in sequence shown.  
Lubricate under head and on threads.  
Torque to 180 in. lbs.**

Refer to any operating instructions included with this product for detailed information about operation, testing, disassembly, reassembly, and preventive maintenance.

Items found in this parts list have been carefully tested and selected. **Therefore: Use only genuine Power Team replacement parts!**

Additional questions can be directed to our Technical Services Department.

# ELECTRIC SCHEMATICS SOLENOID OPERATED UNIT 380 VOLT, 50 HZ THREE PHASE



**WARNING:** To help prevent personal injury, all electrical work must be done by a qualified electrician.

**North American & International Color Codes:**

Conductors	North American	International
Line . . . . .	Black . . . . .	Brown
Neutral. . . . .	White . . . . .	Blue
Ground. . . . .	Green. . . . .	Green/Yellow

# POWER TEAM®



WORLD HEADQUARTERS  
THE AMERICAS CUSTOMER  
SERVICE CENTER  
5885 11TH STREET  
ROCKFORD, ILLINOIS 61109  
TEL: 1-815-874-5556  
CUSTOMER SERVICE/ORDER ENTRY  
TEL: 1-800-541-1418  
FAX: 1-800-288-7031

**E-MAIL: INFO@POWERTEAM.COM**



ASIA PACIFIC CUSTOMER  
SERVICE CENTER  
7 GUL CIRCLE  
SINGAPORE 629563, SINGAPORE  
TEL: (65) 6265-3343

**E-MAIL: INFOASIA@POWERTEAM.COM**



EUROPEAN CUSTOMER  
SERVICE CENTER  
ALBERT THIJSSRAAT 12  
6471 WX EYGELSHOVEN  
THE NETHERLANDS  
TEL: (31) 45 5678877  
FAX: (31) 45 5678878

**EMAIL: INFOEUROPE@POWERTEAM.COM**



SPX HYDRAULIC TECHNOLOGIES  
CHINA (CCSC)  
NO: 1568, HUA SHAN ROAD,  
9TH FLR INTERNATIONAL PARK CTR,  
CHANGNING DISTRICT,  
SHANGHAI 200052, P.R.C.  
TEL: 86 (21) 2208 5888  
FAX: 86 (21) 2208 5682

**EMAIL: INFOCHINA@POWERTEAM.COM**